

PLATINUM BEAM 15R PRO

EXTREME ACL/BEAM MOVING HEAD



The Platinum Beam 15R is the next evolution in extreme ACL / Beam moving heads. Featuring the new Platinum 15R 320 watt Lamp from Philips, offering comparable output to 1200w fixtures with a new specialized optical system offering sharp gobo projections and a extreme beam "ACL / Searchlight" type effect. Featuring 8 dichroic colors, 8 rotating indexing gobos, 11 static gobos, rotating 8 facet prism, frost filter for wash effect and lighting fast 3 phase motors for all effects.

FEATURES

- Razor Sharp 4.8° Beam Angle
- Uses Philips MSD Platinum 15R Lamp technology 320W
- Remote Focus, Stepless Frost (Hybrid), 8 Facet Prism
- 8 Dichroic Colors
- 19 Gobos 8 Rotating / indexing, 11 Static
- EWDMX Receiver built in



SPECIFICATIONS

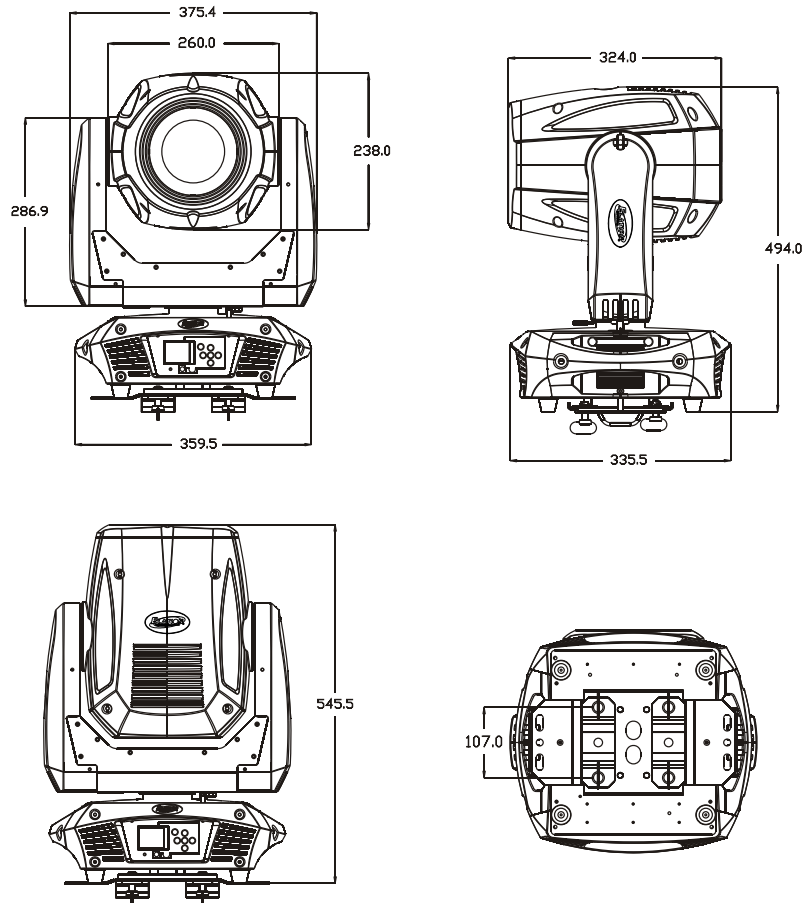
- Philips MSD Platinum 15R lamp (13500th, 8000°K, 2000h) included
- 106400 Lux @ 15m
- 4.8° beam angle
- No need for cleaning or adjustment of reflector or lamp
- All lenses are anti-reflection coated
- 1 color wheel with total 8 colors + white
- Variable speed color scrolling both directions (rainbow)
- 2 gobo wheels
- First wheel with 8 rotating and interchangeable (quickout)
- Second wheel with 11 static gobos plus open
- Variable speed gobo scrolling in both directions
- Gobo Size: 14.0mm outside, 6mm image diameter
- Rotating, indexing prism: 8-facet
- Macro-function for rotating gobo/prism combinations
- Variable Frost Filter (Hybrid effect for Wash)
- Dual flag mechanical dimming system
- Variable speed strobe effect
- Preset variable/random strobe and dimming pulse effects
- Automatic Pan / Tilt position correction
- Maximum Pan-movement 630° or 540° / 16 bit
- Maximum Tilt-movement 265° / 16 bit
- 3 Phase motors for fast, accurate Pan / Tilt positioning
- Vector Mode with blackout MIB function
- Battery powered and colored LCD Display
- 14/16/22 DMX channels USITT DMX-512 (16-bit resolution)
- Customizable DMX channel assignment
- DMX, stand-alone, master/slave, sound activated mode
- DMX recorder and edit function integrated
- Software update via DMX, using optional E-Loader
- 3-pin and 5-Pin XLR serial input/output
- Fan cooled - fans regulated automatic or DMX
- Constant temperature readout / management function
- 2 x 1/4 turn fastening Omega Clamps
- Electronic ballast and auto switching power supply
- Power consumption: 500W max.
- Voltage: AC 100V ~ 240V 50/60Hz
- Dimensions (LxWxH): 13.7" x 15" x 22.4" / 350x380x570 mm
- Weight: 50lbs / 23 kg
- cETLus approved

PLATINUM BEAM 15R PRO

EXTREME ACL/BEAM MOVING HEAD



Dimensional Drawings



DMX Traits

%	1 Pan	2 Pan High Resolution	3 Tilt	4 Tilt High Resolution	5 Color Wheel	6 Rota. Gobo	7 Gobo Rotation	8 Fixed Gobo	9 Prism/gobo Macro	10 Prism Rotation	11 Focus	12 Strobe	13 Dimmer	14 Frost	15 Scan speed	16 Auto program
100%																
75%																
50%																
25%																
0%																