



## PLATINUM SPOT LED II™

SKU# EPS059

The Platinum Spot LED II™ features a 135W Cool White LED engine, 17° beam, 8 dichroic colors plus white, 7 rotating, interchangeable, glass and 7 static metal gobos, frost filter hybrid wash effect, 3-facet rotating prism with 16 prism macros, motorized iris, focus, and dimming, high speed mechanical shutter and strobe, hibernation mode, 3 and 5pin DMX in/out connections, RDM (Remote Device Management), full color 180° reversible menu display with 6 button touch control panel, battery backup for display power, a multi-voltage universal auto switching power supply (100-240v), and flicker free operation for TV and FILM.



### FEATURES

**Cool White 17° Beam LED Spot Illuminare**

**135W, 6,500K, >85CRI, 60,000 Hours**

**Low Heat, Quiet Operation, and Hibernation Mode**

**8 Dichroic Colors + White**

**7 Rotating Interchangeable and 7 Static Gobos**

**3-Facet Rotating Prism and Frost Filter Hybrid Wash Effect**

**Flicker Free Operation For Broadcast TV and FILM**



**PRODUCT SPECIFICATIONS**

**FEATURES**

Cool White 17° Beam LED Spot Illuminare  
 Low Heat, Quiet Operation, and Hibernation Mode  
 Frost Filter Hybrid Wash + Infinity Prism Effects  
 Flicker Free Operation For Broadcast TV and FILM

**SOURCE**

135W Cool White LED Engine  
 60,000 Hour Average LED Life

**PHOTOMETRIC DATA**

6,500K, >85CRI  
 11,220 LUX 1,042 FC @8.2' (2.5m) (17° Full ON)

**EFFECTS**

Frost Filter Hybrid Wash Effect  
 3-Facet + Infinity Rotating Prisms and Macros  
 Motorized Focus  
 Iris: 5% - 100%  
 Strobe: 1-18fps  
 Dimming 0% - 100%

**COLOR**

8 Dichroic Colors + White (Open)

**GOBOS**

7 Interchangeable / Rotating / Indexing Glass Gobos  
 Gobo Size: OD 1.06" (27mm) / ID 0.86" (22mm)  
 7 Static / Indexing Metal Gobos

**CONTROL / CONNECTIONS**

(3) DMX Channel Modes (16 / 14 / 22)  
 RDM (Remote Device Management)  
 6 Button Touch Control Panel  
 Full Color 180° Reversible LCD Menu Display  
 8 / 16 Bit Resolution Adjustable Movement  
 3pin & 5pin DMX In/Out

**SIZE / WEIGHT**

Length: 14.1" (357mm)  
 Width: 13.2" (335mm)  
 Vertical Height: 20.7" (526mm)  
 Weight: 35.3 lbs. (16 kg)

**ELECTRICAL / THERMAL**

AC 100-240V - 50/60Hz  
 230W Max Power Consumption  
 -13°F to 113°F (-25°C to 45°C)

**APPROVALS / RATINGS**

CE | cETLus | IP20

**INSTALLATION**

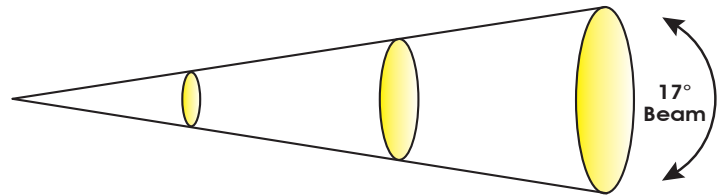
Rigging: Clamps (Not Included)  
 Working Position: Flat Surface / Inverted (180°)

**INCLUDED ITEMS**

Omega Brackets  
 3pin DMX Cable  
 Power Cable



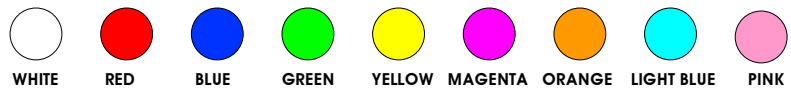
**PHOTOMETRIC DATA**



	m	ft	m	ft	m	ft
Distance	2.5	8.2	5	16.4	7.5	24.6
17° Beam Diameter	0.75	2.5	1.41	4.6	2.05	6.7
	lux	fc	lux	fc	lux	fc
Full ON	11,220	1042	2,980	277	1,360	126

**COLORS AND GOBOS**

**COLORS**



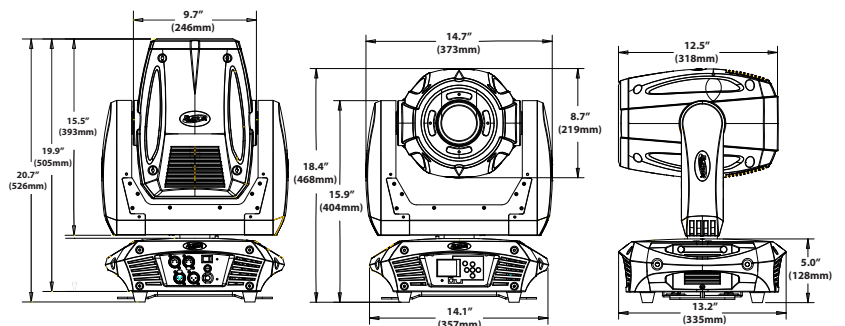
**ROTATING GOBOS**



**STATIC GOBOS**



**DIMENSIONAL DIAGRAMS**



**OPTIONAL ACCESSORIES**

ORDER CODE	ITEM
TRIGGER CLAMP	Heavy Duty Wrap Around Hook Style Clamp
DRCPSP	Dual Road Case For Platinum Spot LED II and Platinum Spot III
ELO211	Eloader II™ Software Updater Box
EWDMSYSTEM	Wireless DMX System (1 Transmitter, 1 Receiver)
EWDMSYSTEM	Wireless DMX Transmitter
EWDMSYSTEM	Wireless DMX Receiver
AC3PDMX5PRO	5 ft. (1.5m) 3pin PRO DMX Cable
AC5PDMX5PRO	5 ft. (1.5m) 5pin PRO DMX Cable
PLC3	3' (1m) PRO Link Cable
	Additional cable lengths available

Specifications are subject to change without notice ©Elation Professional 01/22/18

