



# PLATINUM PROFILE LED™

SKU# EPP597

The new Platinum Profile LED™ is a profile-framing shutter LED spot luminaire featuring a 180W LED engine, 9,000 total lumens, 6,500K, >85CRI, 18° beam angle, 4 rotating framing shutter blades, 2 color wheels with 11 total dichroic colors including UV and CTO, 2 gobo wheels with 7 interchangeable rotating-indexing and 7 static-stamped gobos, 3-facet rotating prism, frost, iris, and motorized focus, Art-NET (DMX Over Ethernet) support 5pin DMX, RJ45 Ethernet and powerCON in/out connections, 6-button control full color 180° reversible menu display, a multi-voltage universal auto switching power supply (100-240v), and flicker free operation for broadcast TV and FILM.

## FEATURES

- Profile-Framing Shutter 18° Spot LED Luminaire**
- 180W LED Engine with 20,000 Average LED Life**
- 9,000 Lumens, 6,500K, >85CRI**
- 4 Rotating Framing Shutter Blades**
- 2 Color Wheels - 11 Total Dichroic Colors Including UV**
- 2 Gobo Wheels - 7 Interchangeable-Rotating 7 Static**
- 3-Facet Rotating Prism, Frost, Iris, and Motorized Focus**
- Art-NET (DMX Over Ethernet) Support**
- Flicker Free Operation For Broadcast TV and FILM**



Specifications are subject to change without notice ©Elation Professional

Elation Professional USA | 6122 S. Eastern Ave. | Los Angeles, CA. 90040  
323-582-3322 | 323-832-9142 fax | www.elationlighting.com | info@elationlighting.com

Elation Professional B.V. | Junostraat 2 | 6468 EW Kerkrade, Netherlands  
+31 45 546 85 66 | +31 45 546 85 96 fax | www.elationlighting.eu | info@elationlighting.eu

**PRODUCT SPECIFICATIONS**

**SOURCE**

180W LED Engine  
20,000 Hour Average LED Life

**PHOTOMETRIC DATA**

9,000 Total Lumens, 6,500K, >85CRI  
14,170 LUX 1,316 FC @8.2' (2.5m) (18° Full ON)  
4,561 LUX 424 FC @16.4' (5m) (18° Full ON)  
1,721 LUX 160 FC @24.6' (7.5m) (18° Full ON)

**EFFECTS**

4 Rotating Framing Shutters and Macros  
3-Facet Rotating Prism and Frost Filter  
Motorized Focus & Mechanical Iris  
Electronic Dimming & Strobe

**COLOR**

2 Colors Wheels  
#1 - 5 Dichroic Colors Including UV  
#2 - 6 Dichroic Colors Including CTO

**GOBOS**

2 Gobo Wheels  
#1 - 7 Interchangeable Rotating-Indexing Gobos  
#2 - 7 Static-Stamped Gobos

**CONTROL / CONNECTIONS**

3 DMX Channel Modes (24 / 26 / 36)  
RDM (Remote Device Management)  
6-Button Touch Control Panel  
Full Color 180° Reversible LCD Menu Display  
8 / 16 Bit Resolution Adjustable Movement  
5pin DMX In/Out  
RJ45 Ethernet In/Out (Art-NET)  
powerCON Power In/Out

**SIZE / WEIGHT**

Length: 14.2" (360mm)  
Width: 16.0" (408mm)  
Vertical Height: 25.0" (636mm)  
Weight: 57.0 lbs. (26 kg)

**ELECTRICAL / THERMAL**

AC 100-240V - 50/60Hz  
250W Max Power Consumption  
-13°F to 113°F (-25°C to 45°C)

**APPROVALS / RATINGS**

CE | IP20

**INSTALLATION**

Rigging: Clamps (Not Included)  
Working Position: Flat Surface / Inverted (180°)

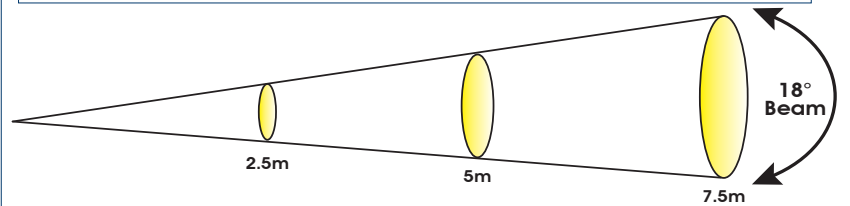
**INCLUDED ITEMS**

(2) Omega Brackets, (1) 5pin DMX Cable  
(1) powerCON Cable, (1) Safety Cable

**OPTIONAL ACCESSORIES**

ORDER CODE	ITEM
TRIGGER CLAMP	Heavy Duty Wrap Around Hook Style Clamp
EWDMSYSTEM	Wireless DMX System (Transmitter & Receiver)
AC5PDMX5PRO	5 ft. (1.5m) 5pin PRO DMX Cable
PLC3	3 ft. (1m) PowerCON PRO Link Cable
CAT6PRO5	5 ft. (1.5m) CAT6 PRO EtherCON Cable
	Additional cable lengths available

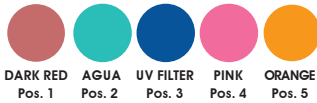
**PHOTOMETRIC DATA**



	m	ft	m	ft	m	ft
Distance	2.5	8.2	5	16.4	7.5	24.6
Diameter	0.8	2.6	1.42	4.7	2.3	7.5
Photometrics	lux	fc	lux	fc	lux	fc
18° MAX FULL ON	14,170	1,316	4,561	424	1,721	160

**COLORS AND GOBOS**

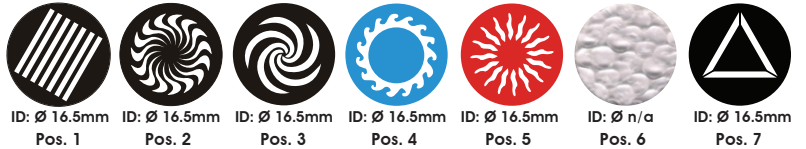
**COLOR WHEEL 1**



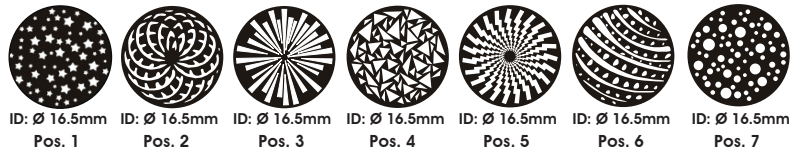
**COLOR WHEEL 2**



**INTERCHANGEABLE-ROTATING GOBO WHEEL 1 - OD: Ø24.8mm\*\***



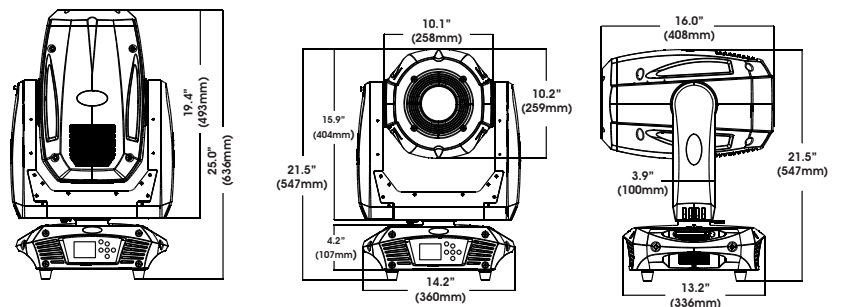
**STATIC-STAMPED GOBO WHEEL 2**



**\*\*IMPORTANT NOTICE REGARDING GOBO DIMENSIONS AND CUSTOM GOBOS**

OD = Outside Diameter | ID = Image Diameter  
Due to varying manufacturing processes, it is highly recommended to provide a gobo and holder sample from the fixture to 3rd party custom gobo vendors for accurate sizing.

**DIMENSIONAL DIAGRAMS**



Specifications are subject to change without notice ©Elation Professional

Elation Professional USA | 6122 S. Eastern Ave. | Los Angeles, CA. 90040  
323-582-3322 | 323-832-9142 fax | www.elationlighting.com | info@elationlighting.com

Elation Professional B.V. | Junostraat 2 | 6468 EW Kerkrade, Netherlands  
+31 45 546 85 66 | +31 45 546 85 96 fax | www.elationlighting.eu | info@elationlighting.com