



## PIXEL BAR™

Pixel Bar 12 SKU# **PIX025**

Pixel Bar 20 SKU# **PIX037**

Pixel Bar 40 SKU# **PIX001**

The Pixel Bar™ series, is available in 12, 20, or 40

pixels lengths, all featuring 3-in-1 SMD LEDs producing

a 25mm pixel pitch, 120° beam angle, 16.7 million colors

with 8 bits per color, 850 NITs, 2000Hz refresh

rate, DC24V, (2) RJ45 CAT5e ports (input/output)

connections, flicker free operation for broadcast TV

and FILM, multiple unit linkable, extruded aluminum

housing, and integrated adjustable mounting brackets.



### FEATURES

**Pixel Bar 12™ (12) 3-in-1 SMD LEDs**

**Pixel Bar 20™ (20) 3-in-1 SMD LEDs**

**Pixel Bar 40™ (40) 3-in-1 SMD LEDs**

**25mm Pixel Pitch / 120° Beam Angle**

**16.7 Million Colors / 8 Bits Per Color**

**850 NITs / 2000Hz Refresh Rate**

**(2) RJ45 CAT5e Ports (Input/Output)**

**Multiple Unit Linkable / Extruded Aluminum Housing**

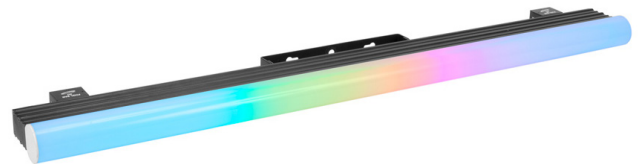
**Integrated Adjustable Mounting Brackets**

**Flicker Free Operation for Broadcast TV and FILM**

**Optional Tube Lens Available**



Rigging Bracket



**Optional Tube Lens Available**

Specifications are subject to change without notice ©Elation Professional 10/31/15

Elation Professional USA | 6122 S. Eastern Ave. | Los Angeles, CA. 90040  
323-582-3322 | 323-832-9142 fax | www.elationlighting.com | info@elationlighting.com

Elation Professional B.V. | Junostraat 2 | 6468 EW Kerkrade, The Netherlands  
+31 45 546 85 66 | +31 45 546 85 96 fax | www.elationlighting.eu | info@elationlighting.eu

**PRODUCT SPECIFICATIONS**

**SOURCE**

**Pixel Bar 12™** (12) 3-in-1 SMD LEDs  
**Pixel Bar 20™** (20) 3-in-1 SMD LEDs  
**Pixel Bar 40™** (40) 3-in-1 SMD LEDs

**COLOR**

16.7 Million Colors / 8 Bits Per Color

**CONTROL / CONNECTIONS**

**Pixel Bar 12™** - 36 DMX Channels  
 Multiple Unit Linkable (52 per PIXEL NET 4™ device)  
**Pixel Bar 20™** - 60 DMX Channels  
 Multiple Unit Linkable (32 units per PIXEL NET 4™ device)  
**Pixel Bar 40™** - 120 DMX Channels  
 Multiple Unit Linkable (16 units per PIXEL NET 4™ device)  
 RJ45 CAT5e Input / Output (All Models)

**SIZE / WEIGHT**

**Pixel Bar 12™**  
 Length: 11.81" (300mm)  
 Width: 1.5" (38.2mm)  
 Vertical Height: 4.08" (103.6mm)  
 Weight: 2.5 lbs. (1.12kg)

**Pixel Bar 20™**  
 Length: 19.7" (500mm)  
 Width: 1.5" (38.2mm)  
 Vertical Height: 4.08" (103.6mm)  
 Weight: 3.6 lbs. (1.63kg)

**Pixel Bar 40™**  
 Length: 39.4" (1000mm)  
 Width: 1.5" (38.2mm)  
 Vertical Height: 4.08" (103.6mm)  
 Weight: 5.5 lbs. (2.5kg)

**ELECTRICAL / THERMAL**

DC-24V  
**Pixel Bar 12™** 4.8W Max Power Consumption  
**Pixel Bar 20™** 8W Max Power Consumption  
**Pixel Bar 40™** 16W Max Power Consumption  
 32°F to 104°F (0°C to 40°C)

**APPROVALS / RATINGS**

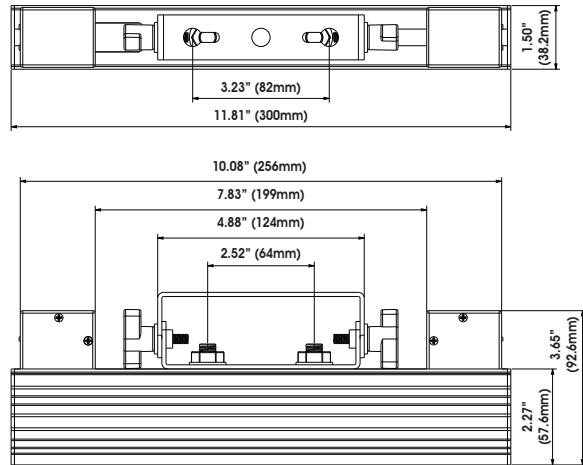


**OPTIONAL ACCESSORIES**

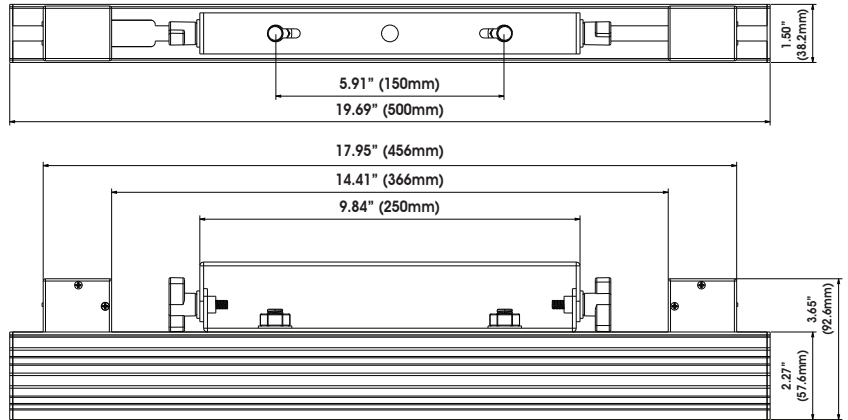
| ORDER CODE          | ITEM                              |
|---------------------|-----------------------------------|
| <b>NARROW CLAMP</b> | Pro Clamp with 2-inch Wrap-Around |
| <b>PIX167</b>       | PIXEL BAR 12™ TUBE LENS           |
| <b>PIX155</b>       | PIXEL BAR 20™ TUBE LENS           |
| <b>PIX142</b>       | PIXEL BAR 40™ TUBE LENS           |
| <b>PIX013</b>       | Pixel Net 4™ ArtNet to DMX Driver |

**DIMENSIONAL DIAGRAMS**

**Pixel Bar 12™**



**Pixel Bar 20™**



**Pixel Bar 40™**

