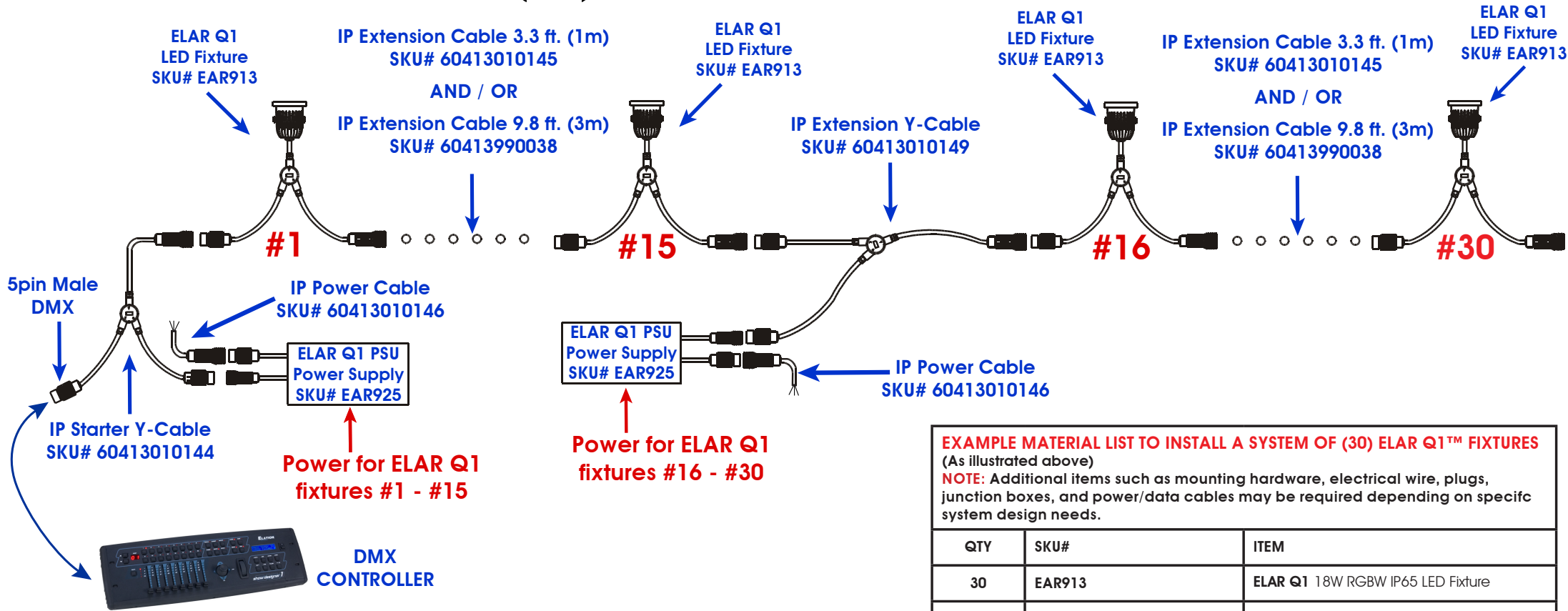


# ELATION ELAR Q1 - (30) UNIT SYSTEM INSTALL DIAGRAM EXAMPLE



## NOTES...

\*Maximum of (15) ELAR Q1 fixtures per each ELAR Q1 PSU. (as illustrated above)

\*ELAR Q1 PSU IP Power Cable (SKU# 60413010146)

**NO EDISON 3-PRONG POWER PLUG ATTACHED - BARE WIRE LEADS**

Due to varying installation requirements, (3) bare-wire leads (Positive, Negative, Ground) are exposed, which can be wired to a standard 3-prong Edison electrical plug and/or wired into an IP rated electrical junction box.

\*An RDM (Remote Device Management) supported device (not included) is required to change the DMX address on each ELAR Q1.

**EXAMPLE MATERIAL LIST TO INSTALL A SYSTEM OF (30) ELAR Q1™ FIXTURES**  
(As illustrated above)  
**NOTE:** Additional items such as mounting hardware, electrical wire, plugs, junction boxes, and power/data cables may be required depending on specific system design needs.

QTY	SKU#	ITEM
30	EAR913	ELAR Q1 18W RGBW IP65 LED Fixture
1	60413010144	ELAR Q1 IP Starter Y-Cable
1	60413010149	ELAR Q1 IP Extension Y-Cable
2	EAR925	ELAR Q1 PSU IP Power Supply
2	60413010146	ELAR Q1 PSU IP Power Cable 3.3 ft (1m)
<b>OPTIONAL ITEMS TO SUPPORT ADDITIONAL FIXTURES AND/OR DISTANCES</b> (Depending on system design)		
~	EAR925	ELAR Q1 PSU IP Power Supply
~	60413010146	ELAR Q1 PSU IP Power Cable 3.3 ft (1m)
~	60413010144	ELAR Q1 IP Starter Y-Cable
~	60413010149	ELAR Q1 IP Extension Y-Cable
~	60413010145	ELAR Q1 IP Extension Cable 3.3 ft (1m)
~	60413990038	ELAR Q1 IP Extension Cable 9.8 ft (3m)