



ANI-MOTION



User Manual

©2022 ADJ Products, LLC all rights reserved. Information, specifications, diagrams, images, and instructions herein are subject to change without notice. ADJ Products, LLC logo and identifying product names and numbers herein are trademarks of ADJ Products, LLC. Copyright protection claimed includes all forms and matters of copyrightable materials and information now allowed by statutory or judicial law or hereinafter granted. Product names used in this document may be trademarks or registered trademarks of their respective companies and are hereby acknowledged. All non-ADJ Products, LLC brands and product names are trademarks or registered trademarks of their respective companies.

ADJ Products, LLC and all affiliated companies hereby disclaim any and all liabilities for property, equipment, building, and electrical damages, injuries to any persons, and direct or indirect economic loss associated with the use or reliance of any information contained within this document, and/or as a result of the improper, unsafe, insufficient and negligent assembly, installation, rigging, and operation of this product.



DOCUMENT VERSION

Due to additional product features and/or enhancements, an updated version of this document may be available online.

Please check www.adj.com for the latest revision/update of this manual before beginning installation and/or programming.

Europe Energy Saving Notice

Energy Saving Matters (EuP 2009/125/EC)

Saving electric energy is a key to help protecting the environment. Please turn off all electrical products when they are not in use. To avoid power consumption in idle mode, disconnect all electrical equipment from power when not in use. Thank you!

TABLE OF CONTENTS

General Information	4
Limited Warranty (USA Only)	5
General Instructions Features Warranty Registration	6
Safety Precautions	7
Laser Warning and Safety	8
Overview	12
Operation Dimensional Drawings	13
UC Laser IR Control	14
Cleaning Trouble Shooting	15
Specifications	16

GENERAL INFORMATION

Unpacking: Thank you for purchasing the Ani-Motion by ADJ Products, LLC. Every device has been thoroughly tested and has been shipped in perfect operating condition. Carefully check the shipping carton for damage that may have occurred during shipping. If the carton appears to have been damaged, carefully inspect your fixture for any damage and be sure all accessories necessary to operate the unit have arrived intact. In the event that damage has been found or parts are missing, please contact our toll free customer support number for further instructions. Do not return this unit to your dealer without first contacting customer support.

Introduction: The Ani-Motion is a simple, compact, bright, green and red laser fixture. The Ani-Motion is a stand alone fixture with 2 operating modes. For best results, use fog or special effects smoke to enhance the beam projections.

Customer Support: Contact ADJ Service for any product related service and support needs. Also visit forums.adj.com with questions, comments or suggestions.

Parts: To purchase parts online visit:

<http://parts.adj.com> (US)

<http://www.adjparts.eu> (EU)

ADJ SERVICE USA - Monday - Friday 8:00am to 4:30pm PST

Voice: 800-322-6337 | Fax: 323-582-2941 | support@adj.com

ADJ SERVICE EUROPE - Monday - Friday 08:30 to 17:00 CET

Voice: +31 45 546 85 60 | Fax: +31 45 546 85 96 | support@adj.eu

ADJ PRODUCTS LLC USA

6122 S. Eastern Ave. Los Angeles, CA. 90040

323-582-2650 | Fax 323-532-2941 | www.adj.com | info@adj.com

ADJ SUPPLY Europe B.V

Junostraat 2 6468 EW Kerkrade, The Netherlands

+31 (0)45 546 85 00 | Fax +31 45 546 85 99

www.americandj.eu | info@americandj.eu

ADJ PRODUCTS GROUP Mexico

AV Santa Ana 30 Parque Industrial Lerma, Lerma, Mexico 52000

+52 (728) 282-7070

Warning! To prevent or reduce the risk of electrical shock or fire, do not expose this unit to rain or moisture.

Caution! *There are no user serviceable parts inside this unit. Do not attempt any repairs yourself, as doing so will void your manufacturer's warranty. In the event your unit requires service, please contact ADJ customer support.*

PLEASE recycle the shipping carton whenever possible.

LIMITED WARRANTY (USA ONLY)

- A. ADJ Products, LLC hereby warrants, to the original purchaser, ADJ Products, LLC products to be free of manufacturing defects in material and workmanship for a prescribed period from the date of purchase (see specific warranty period on reverse). This warranty shall be valid only if the product is purchased within the United States of America, including possessions and territories. It is the owner's responsibility to establish the date and place of purchase by acceptable evidence, at the time service is sought.
- B. For warranty service, you must obtain a Return Authorization number (RA#) before sending the product back—please contact ADJ Products, LLC Service Department at 800-322-6337. Send the product only to the ADJ Products, LLC factory. All shipping charges must be prepaid. If the requested repairs or service (including parts replacement) are within the terms of this warranty, ADJ Products, LLC will pay return shipping charges only to a designated point within the United States. If the entire instrument is sent, it must be shipped in its original package and packaging material. No accessories should be shipped with the product. If any accessories are shipped with the product, ADJ Products, LLC shall incur no liability whatsoever for loss of or damage to any such accessories, nor for the safe return thereof.
- C. This warranty is void if the product serial number and/or labels are altered or removed; if the product is modified in any manner which ADJ Products, LLC concludes, after inspection, affects the reliability of the product; if the product has been repaired or serviced by anyone other than the ADJ Products, LLC factory unless prior written authorization was issued to purchaser by ADJ Products, LLC; if the product is damaged because it was not properly maintained as set forth in the product instructions, guidelines and/or user manual.
- D. This is not a service contract, and this warranty does not include maintenance, cleaning, or periodic checkup. During the period specified above, ADJ Products, LLC will replace defective parts at its expense with new or refurbished parts, and will absorb all expenses for warranty service and repair labor by reason of defects in material or workmanship. The sole responsibility of ADJ Products, LLC under this warranty shall be limited to the repair of the product, or replacement thereof, including parts, at the sole discretion of ADJ Products, LLC. All products covered by this warranty were manufactured after August 15, 2012, and bear identifying marks to that effect.
- E. ADJ Products, LLC reserves the right to make changes in design and/or improvements upon its products without any obligation to include these changes in any products theretofore manufactured.
- F. No warranty, whether expressed or implied, is given or made with respect to any accessory supplied with products described above. Except to the extent prohibited by applicable law, all implied warranties made by ADJ Products, LLC in connection with this product, including warranties of merchantability or fitness, are limited in duration to the warranty period set forth above. And all warranties, whether expressed or implied, including warranties of merchantability or fitness, are limited in duration to the warranty period set forth above. The consumer's and/or dealer's sole remedy shall be such repair or replacement as is expressly provided above; and under no circumstances shall ADJ Product, LLC be liable for any loss and/or damage, direct and/or consequential arising out of the use of, and/or inability to use this product.
- G. This warranty is the only written warranty applicable to ADJ Products, LLC products, and supersedes all prior warranties and written descriptions of warranty terms and conditions heretofore published.

MANUFACTURER'S LIMITED WARRANTY PERIODS:

- Non-LED Lighting Products = 1-Year (365 Days) (Including Special Effect Lighting, Intelligent Lighting, UV lighting, Strobes, Fog Machines, Bubble Machines, Mirror Balls, Par Cans, Trussing, Lighting Stands, Power/Data Distribution, etc. excluding LED and lamps)
- Laser Products = 1-Year (365 Days) (excluding laser diodes which have a 6-Month Limited Warranty)
- LED Products = 2-Year (730 Days) (excluding batteries which have a 180 Day Limited Warranty)
- NOTE: 2-Year (730 Days) Limited Warranty ONLY applies to product purchased within the United States.
- StarTec Series = 1-Year (365 Days) (excluding batteries which have a 180 Day Limited Warranty)
- ADJ DMX Controllers = 2 Year (730 Days)
- American Audio Products = 1 Year (365 Days)

GENERAL INSTRUCTIONS

Please read these operating instructions carefully in order to familiarize yourself with the basic operations of this unit and optimize the performance of this product. These instructions contain important safety information regarding the use and maintenance of this unit. Please keep this manual with the unit for future reference.

CAUTION! When installing this device, ensure that it is mounted in a manner that will prevent the audience from looking directly into the laser beam! Do not allow the beam to strike the audience!

FEATURES

- 30mW Green Laser
- 80mW Red Laser
- 2 Operating Modes: Sound Active Mode & Auto Mode
- UC Laser IR Wireless Remote Control (Included)
- Dual Hanging Bracket

WARRANTY REGISTRATION

The Ani-Motion carries a 1 year (365 days) limited warranty. Please fill out the enclosed warranty card to validate your purchase. All returned service items, whether under warranty or not, must be freight pre-paid and accompanied by a return authorization (R.A.) number. The R.A. number must be clearly written on the outside of the return package. A brief description of the problem as well as the R.A. number must also be written down on a piece of paper included in the shipping carton. If the unit is under warranty, you must provide a copy of your proof of purchase invoice. You may obtain an R.A. number by contacting our customer support team on our customer support number. All packages returned to the service department not displaying an R.A. number on the outside of the package will be returned to the shipper.

SAFETY PRECAUTIONS



- To reduce the risk of electrical shock or fire, do not expose this unit to rain or moisture.
- Do not spill water or other liquids into or on to your unit.
- Do not attempt to remove or break off the ground prong from the electrical cord. This prong is used to reduce the risk of electrical shock or fire in the event of an internal short.
- Do not attempt to operate this unit if the power cord has been frayed or broken.
- Disconnect from main power before making any type of connection.
- Do not remove the cover for any reason. There are no user serviceable parts inside.
- Always be sure to mount this unit in an area that will allow proper ventilation. Allow about 6” (15cm) between this device and a wall.
- Do not attempt to operate this unit if it has been damaged in any way.
- This unit is intended for indoor use only, and use of this product outdoors voids all warranties.
- During long periods of non-use, disconnect the unit’s main power.
- Always mount this unit in safe and stable matter.
- Power cords should be routed so they are not likely to be walked on, or pinched by items placed upon or against them.
- Cleaning - The fixture should be cleaned only as recommended by the manufacturer. See the **Cleaning** section of this manual for details.
- Heat - The appliance should be situated away from heat sources such as radiators, heat registers, stoves, or other appliances (including amplifiers) that produce heat.
- The fixture should be serviced by qualified service personnel when:
 - A. The power-supply cord or the plug has been damaged.
 - B. Objects have fallen onto, or liquid has been spilled into, the unit.
 - C. The unit has been exposed to rain or water.
 - D. The unit does not appear to operate normally or exhibits a marked change in performance.

LASER WARNINGS AND SAFETY

NON-INTERLOCKED HOUSING WARNING

This device contains high power laser devices. **Do not** open the laser housing, as doing so may result in exposure to unsafe levels of laser radiation. Without the protective housing in place, the laser power levels can cause instant blindness, skin burns, and fires.

STOP AND READ ALL LASER SAFETY DATA OPERATION INSTRUCTIONS AND LASER SAFETY

The light source emitted from this product can potentially cause eye injury if not set up and used properly. The light source emitted from a laser is very different from any other light sources that you may have had experience with. Laser light is thousands of times more concentrated than light from any other kind of light source. This concentration of light can cause instant eye injuries, primarily by burning the retina (the back of your eyeball containing cells that are sensitive to light). Even if you cannot feel “heat” from a laser beam, it still has the potential to injure or blind you or your audience. Even very small amounts of laser beam light are potentially hazardous, even at long distances. Laser eye injuries can be sustained faster than you can blink.

Although this device splits the laser beam into hundreds of beams and the laser beam is scanned out at high speed, **EVEN A SINGLE, INDIVIDUAL LASER BEAM IS NOT SAFE FOR EYE EXPOSURE.** This laser uses dozens of milliwatts of laser power (Class 3B levels internally) before it splits into multiple beams (Class 3R levels). Many of the individual beams are potentially hazardous to the eyes.

THE FACT THAT THE LASER IS IN MOTION DOES NOT MEAN THAT IS IS SAFE. Furthermore, the laser beams are not always in motion. Since eye injuries can occur instantly, it is critical to prevent even the smallest possibility of any direct eye exposure.

SAFETY REGULATIONS STATE CLEARLY THAT IT IS ILLEGAL TO AIM CLASS 3R LASERS AT AREAS WHERE PEOPLE COULD POTENTIALLY BE EXPOSED. This is true even if it is aimed below people’s faces, such as on a dance floor.

DO NOT OPERATE THE LASER WITHOUT FIRST READING AND UNDERSTANDING ALL SAFETY AND TECHNICAL DATA IN THIS MANUAL.

Always set up and install all laser effects so that all laser light is aimed at least 3 meters (9.8 feet) above the floor where people may be standing.

LASER WARNINGS AND SAFETY

After the device has been set up, and prior to public use, test the laser to ensure proper function. Do not use if defects of any kind are detected. **DO NOT USE IF LASER EMITS ONLY ONE OR TWO LASER BEAMS RATHER THAN DOZENS/HUNDREDS**, as this could indicate damage to the diffraction grating optic, and could allow emission of higher laser levels above Class 3R.

Do not point lasers at people or animals. Never look into the laser aperture or laser beams.

Do not point lasers in areas in which people can potentially get exposed, such as uncontrolled balconies, etc.

Do not point lasers at highly reflective surfaces, such as windows, mirrors, and shiny metal. Even laser reflections can be hazardous.

NEVER POINT A LASER AT AIRCRAFT. THIS IS A FEDERAL OFFENSE.

Never point un-terminated laser beams into the sky.

Do not expose the output optic (aperture) to cleaning chemicals.

Do not use laser if the laser appears to be emitting only one or two beams.

Do not use the laser if the housing is damaged, if the housing is open, or if the optics appear damaged in any way.

Never open the laser housing. The high laser power levels inside of the protective housing can start fires, burn skin, and will cause instant eye injury.

Never leave this device running unattended.

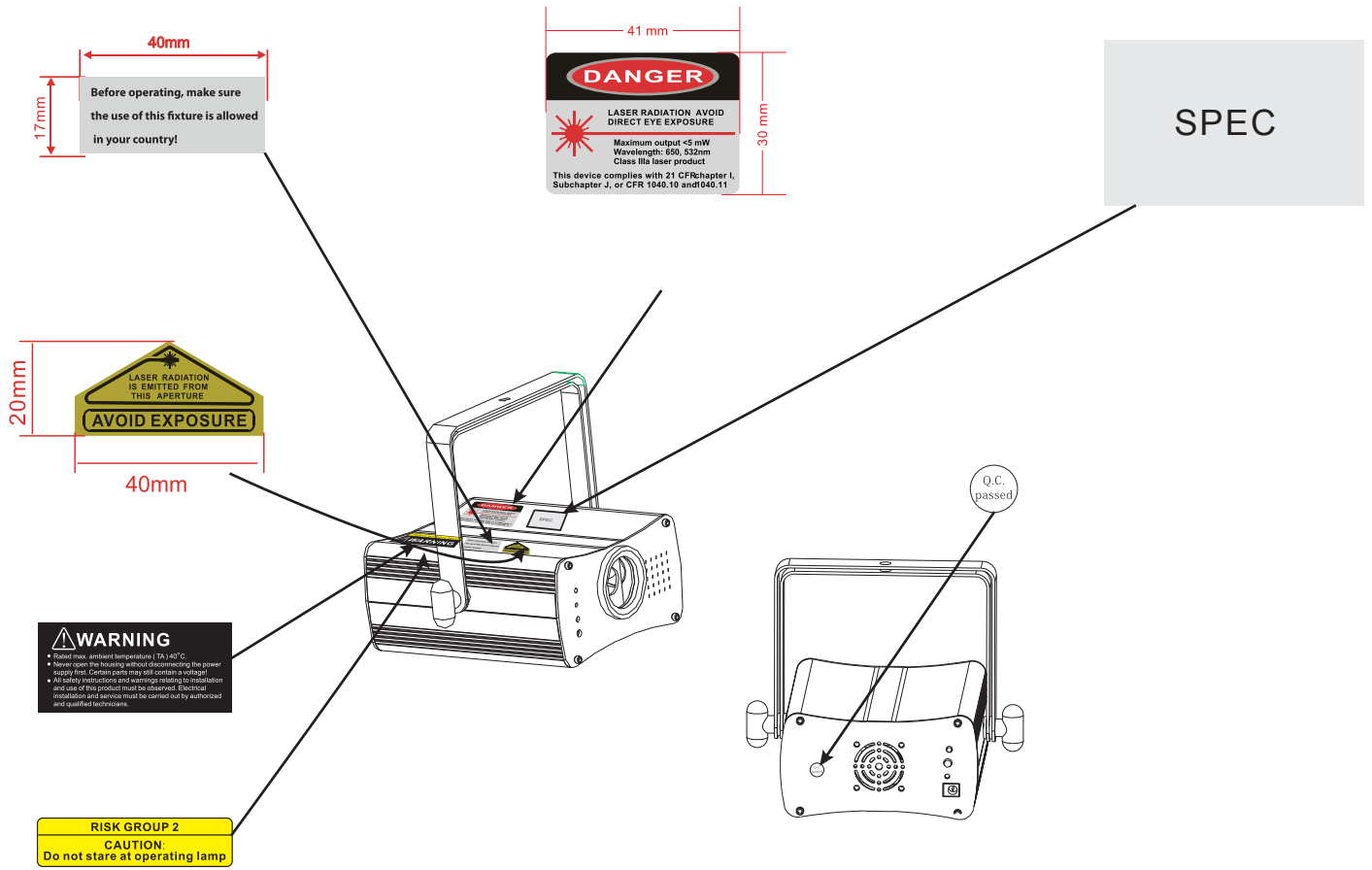
The operation of a class 3R laser show is only allowed if the show is controlled by a skilled and well-trained operator who is familiar with the information presented in this manual.

The legal requirements for using laser entertainment products vary from country to country. The user is responsible for the legal requirements at the location/country of use.

Always use proper lighting safety cables when hanging lights and effects overhead.

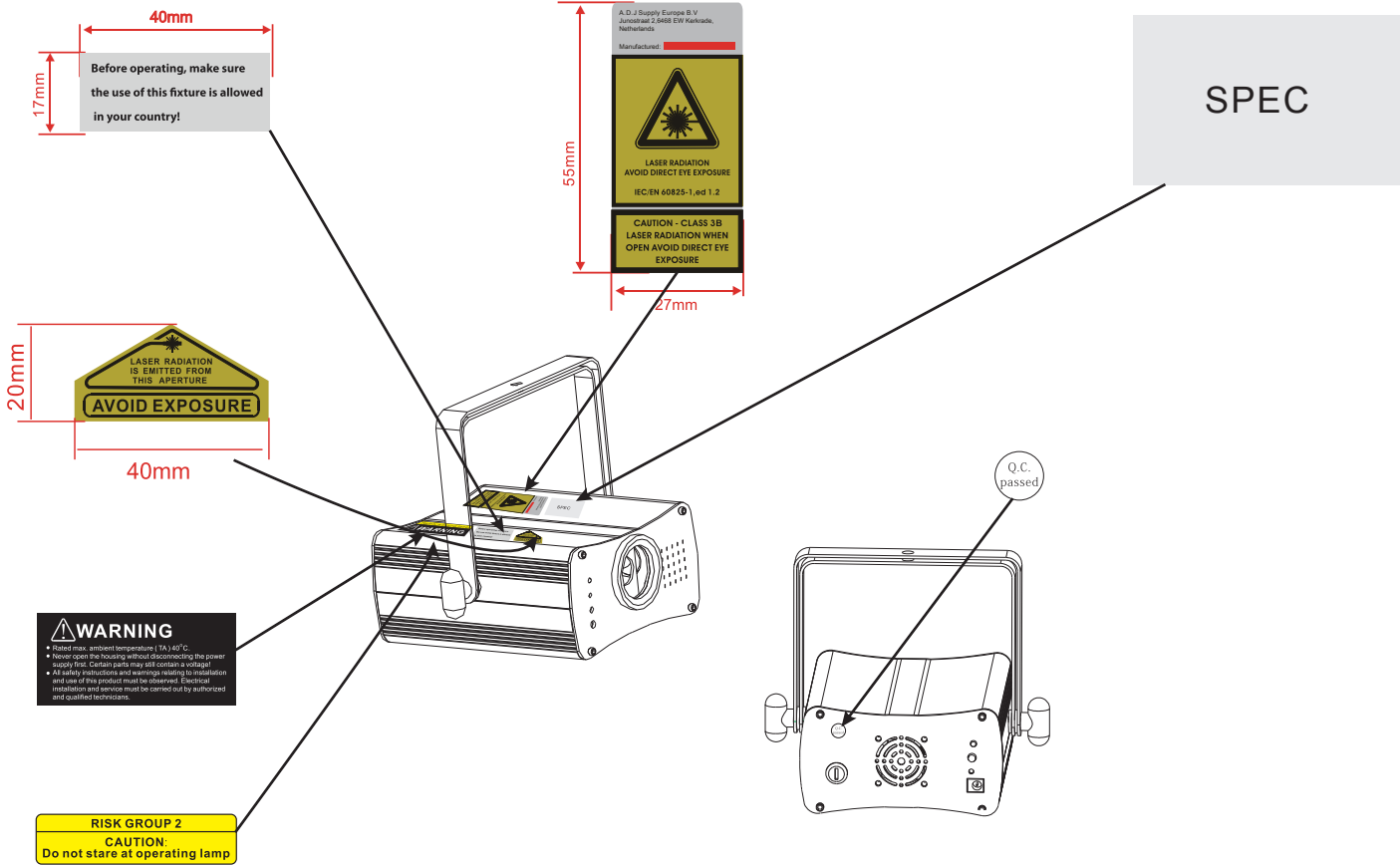
LASER WARNINGS AND SAFETY

WARNING LABELS - AMERICAN MARKET



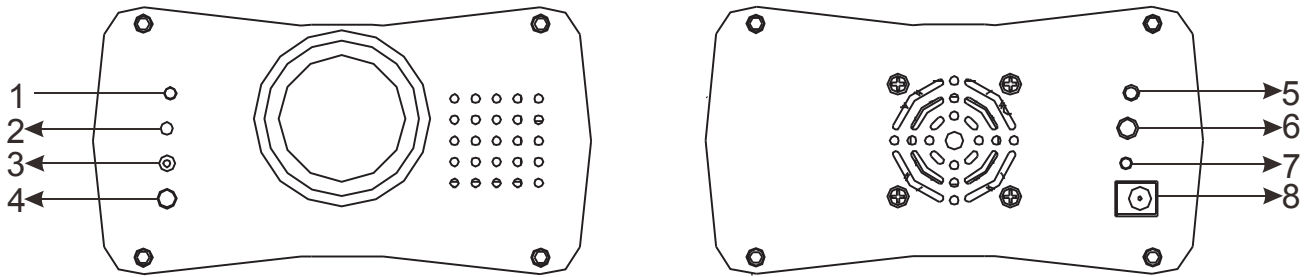
LASER WARNINGS AND SAFETY

WARNING LABELS - EUROPEAN MARKET

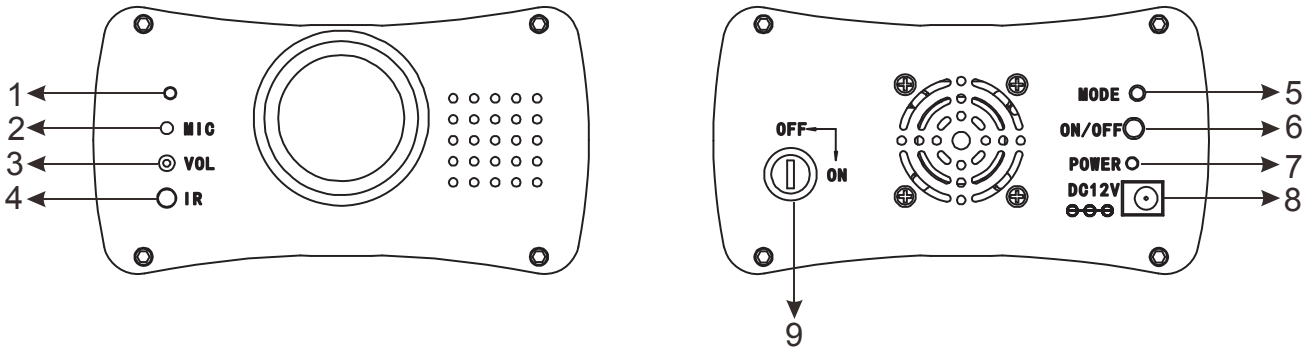


OVERVIEW

AMERICAN VERSION



EUROPEAN VERSION



1. *Status LED* - Indicates which operating mode is active.
2. *Mic* - Picks up the beat of the music in sound active mode.
3. *Mic Sensitivity* - Use a small screwdriver to adjust the sound sensitivity.
4. *IR Sensor* - Receives the signal from the included UC Laser IR.
5. *Mode Button* - Press to switch operating modes.
6. *ON/OFF Button* - Press to switch the power ON and OFF.
7. *Power LED* - Indicates that power is activated.
8. *DC12V Input* - DC Power Socket for included power adapter.
9. *Key Laser On/Off* - This key is used to turn on and off the laser diode. (European Version only)

OPERATION

CAUTION! When installing this device, ensure that it is mounted in a manner that will prevent the audience from looking directly into the laser beam! Do not allow the beam to strike the audience!

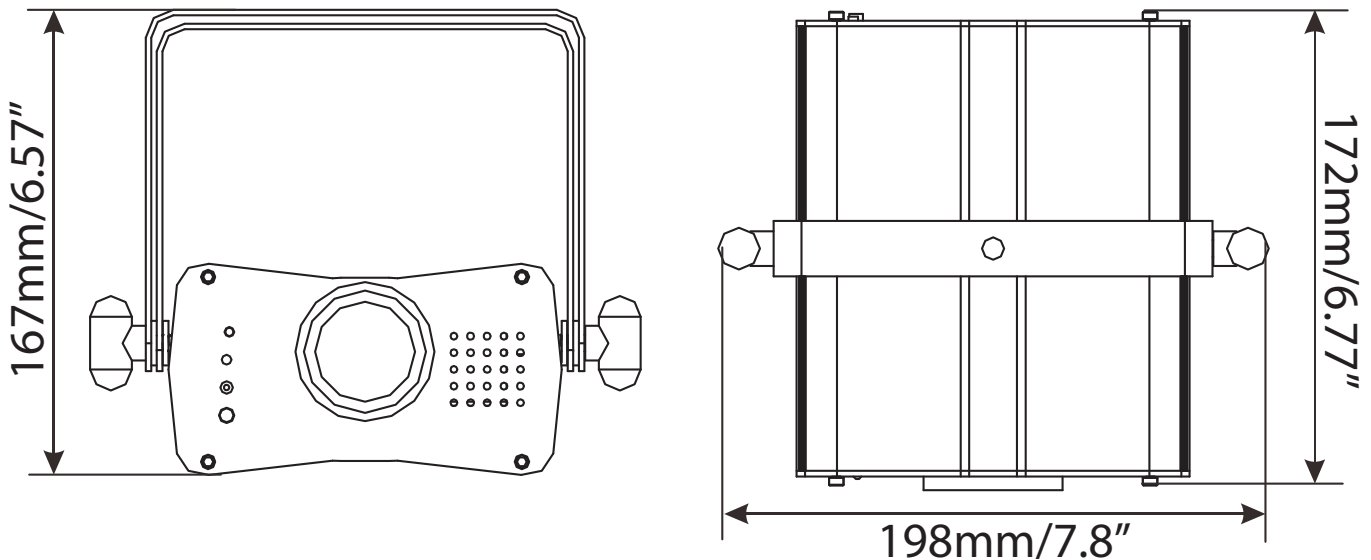
Operating Modes: This device features 2 operating modes: sound active mode and auto mode.

Sound Active Mode: This mode allows the unit to run to the beat of the music. To select this mode, press the Mode button until the status LED located on the front of unit turns off. The device is in sound active mode if the status LED on the front of the unit flashes at every beat or sound.

Auto Mode: There are two auto modes to choose from: slow auto mode or fast auto mode.

1. To run fast auto mode, press the Mode button until the status LED located on the front of unit starts to flash quickly. This indicates that the device is in fast auto mode.
2. To run slow auto mode, press the Mode button until the status LED located on the front of unit starts to flash slowly. This indicates that the device is in slow auto mode.

DIMENSIONAL DRAWING



UC LASER IR CONTROL

The **UC Laser IR** infrared remote gives you control of various functions, as described below. To control the fixture, you must aim the remote at the front of the fixture. Maximum operating range is 30 feet.

The **Airstream IR** remote transmitter (sold separately) plugs into the headphone jack of your iOS phone or tablet. To control your IR fixture you must raise the volume to the maximum on your iOS phone or tablet and aim the transmitter at the fixture sensor. Maximum operating range is 15 feet. After you have purchased the Airstream IR transmitter, the app is a free download from the app store for your iOS phone or tablet. The app comes with 3 pages of control depending on the fixture you are using. *This particular unit works with App page 3.*

STAND BY - Pressing this button will blackout the fixture.

PATTERN - Press this button for random show mode.

PATTERN “+” / PATTERN “-” - Use these buttons to select a show.

SPEED - Press this button to select show speed.

SPEED “+” - Press this button to increase the show speed.

SPEED “-” - Press this button to decrease the show speed.

COLOR BUTTONS - Press the color buttons R, G, or R+G to select your desired color(s). Please note that buttons B, G+B, B+R, and R+G+B have no active function for this fixture.

STROBE - This button will activate the strobe effect. Press and hold to activate strobing, and release to stop strobing.

SOUND - Press this button to activate sound active mode

AUTO FAST - Press this button to activate fast auto mode.

AUTO SLOW - Press this button to activate slow auto mode.

CLEANING

Due to fog residue, smoke, and dust, cleaning the internal and external lenses should be carried out periodically to optimize light output.

- Use normal glass cleaner and a soft cloth to wipe down the outside casing.
- Clean the external optics periodically with a microfiber cloth.
- Always be sure to dry all parts completely before plugging the unit back in.

Cleaning frequency depends on the environment in which the fixture operates (i.e. smoke, fog residue, dust, dew). In the case of heavy usage, it is recommended to clean the fixture on a monthly basis. Periodic cleaning will ensure longevity and crisp beam output.

TROUBLE SHOOTING

Listed below are a few common problems that you may encounter, with possible solutions.

No laser output from the unit:

- Check that the unit is connected securely to power.
- Check that the unit is not in blackout mode.
- In cold temperature situations, the laser may require as long as 3 to 5 minutes to generate a beam, due to the sensitivity of the laser diode.

Unit does not respond to sound:

Reaction to sound is triggered primarily by low frequencies (bass). As a result, tapping on the microphone, or quiet or high-pitched sounds may not trigger the sound reaction.

SPECIFICATIONS

Model:	Ani-Motion
Voltage:	100~250V, 50/60 Hz
Power Consumption:	20W
Lasers:	30mW Green Diode 80mW Red Diode
Dimensions:	6.75" (L) x 7.75" (W) x 6.5" (H) 172mm (L) x 198mm (W) x 167mm (H)
Colors:	Red & Green
Weight:	2.6 lbs / 1.2 kgs
Duty Cycle:	None
Sound Active:	Yes
Working Position:	Any Safe, Secure Position
Warranty:	1 Year (365 Days)
Laser Accession Number:	1510707-000

ADJ Products, LLC
6122 S. Eastern Ave. Los Angeles, CA 90040 USA
Tel: 323-582-2650 / Fax: 323-725-6100
Web: www.adj.com / E-mail: info@adj.com

Follow Us!



[Facebook.com/adjlighting](https://www.facebook.com/adjlighting) [Twitter.com/adjlighting](https://twitter.com/adjlighting)
[YouTube.com/adjlighting](https://www.youtube.com/adjlighting) [Instagram: adj_lighting](https://www.instagram.com/adj_lighting)

A.D.J. Supply Europe B.V.
Junostraat 2
6468 EW Kerkrade
The Netherlands
service@americandj.eu / www.americandj.eu
Tel: +31 45 546 85 00 / Fax: +31 45 546 85 99

