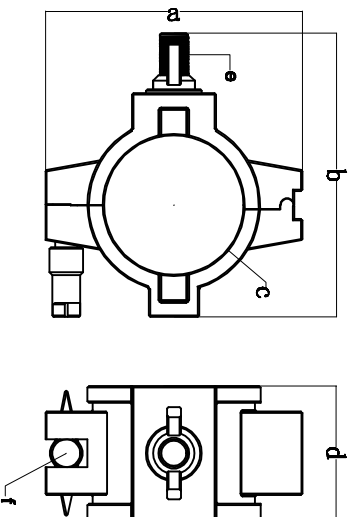
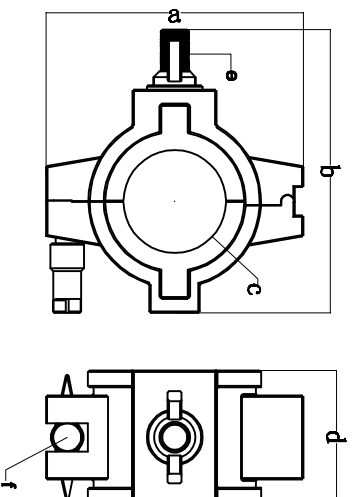


mode \ size	a	b	c	d	e	f	bolt material	
							e	f
O-CLAMP2	92 mm	101 mm	Ø50 mm	48 mm	M10*30	M8*35	Q235	A3
O-CLAMP1.5	92 mm	101 mm	Ø37 mm	48 mm	M10*30	M8*35	Q235	A3
O-CLAMP1	92 mm	101 mm	Ø23 mm	48 mm	M10*30	M8*35	Q235	A3

**O-CLAMP2**



**O-CLAMP1.5**



**O-CLAMP1**

