

American DJ® User Instructions



American DJ
4295 Charter Street
Los Angeles Ca. 90058
www.americandj.com

T4™

Unpacking

Thank you for purchasing the T4™ by American DJ®. Every T4™ has been thoroughly tested and has been shipped in perfect operating condition. Carefully check the shipping carton for damage that may have occurred during shipping. If the carton appears to be damaged, carefully inspect your unit for any damage and be sure all equipment necessary to operate the system has arrived intact. In the event damage has been found or parts are missing, please contact our toll free customer support number for further instructions. Please do not return the unit to your dealer without first contacting customer support.

T4™

Introduction

Customer Support:

American DJ® provides a toll free customer support line, to provide set up help and to answer any question should you encounter problems during your set up or initial operation. You may also visit us on the web at www.americandj.com for any comments or suggestions. For service related issue please contact American DJ®. Service Hours are Monday through Friday 9:00 a.m. to 5:00 p.m. Pacific Standard Time.

Voice: (800) 322-6337

Fax: (323) 582-2610

E-mail: support@americandj.com

Warning! To prevent or reduce the risk of electrical shock or fire, do not expose this unit to rain or moisture.

Caution! There are no user serviceable parts inside this unit. Do not attempt any repairs yourself, doing so will void your manufactures warranty. In the unlikely event your unit may require service please contact your nearest American DJ dealer.

Do not discard the shipping carton in the trash. Please recycle when ever possible.

Safety Issues:

This unit may blow a fuse if the maximum allotted load of 6.3 amp was reached. If the fuse needs replacement always replace the fuse with same exact type that was remove from the unit, unless otherwise instructed by an authorized American DJ® service technician. Using a different fuse from that which is recommended will void the manufactures warranty and may cause fire or electric shock.

Features:

The T4™ is a 4 channel chaser. The T4™ can be set to run in audio or chase mode. The audio mode will trigger the chase pattern to the rhythm of the beat. Chase mode will chase without requiring an audio signal. The T4™ is designed to run par cans, pin spots, and other small fixture. You may draw a total of 6.3A from the controller. Each channel can draw up to 5A per a channel. Plug your fixtures into the Edison sockets on the sides of the T4™. After plugging your fixtures into the T4™ plug the T4™ into a standard grounded wall outlet. Select your operation mode and turn the T4™ on. Remember that if you select the audio operation mode the T4™ will not chase until it receives an audio signal.

Slow:

When the Mode switch is in the “SLOW” position the unit will chase (step from one to channel to the next) at a slow pace.

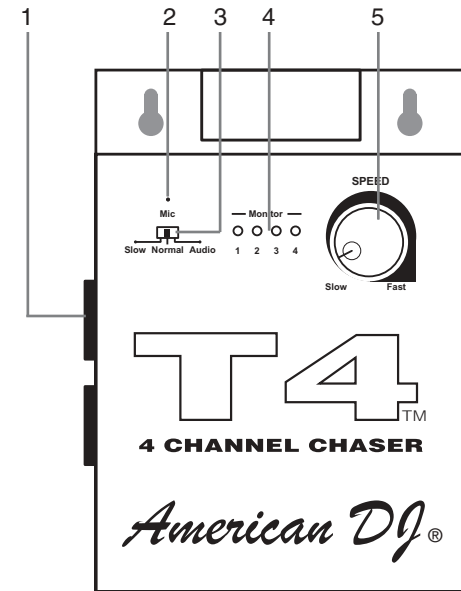
Normal:

When the Mode switch is in the “NORMAL” position the unit will chase at a regular pace.

Audio:

When in the “AUDIO” mode each chase step will be regulated by low frequencies heard through the built-in microphone. Turning the speed knob down completely (counter-clockwise) in audio mode will regulate the chase solely by low frequencies heard through the built-in microphone. The audio sensitivity is preset by the manufacture and may be adjusted.

The T4™ carries a 90 day limited warranty. We recommend you fill out the enclosed warranty card to validate your purchase. All returned service items whether under warranty or not, must be freight pre-paid and accompany a return authorization (R.A.) number. If the unit is under warranty, you must provide a copy of your proof of purchase invoice. Please contact American DJ® customer support for a R.A. number.

**1. 3-POLE ELECTRICAL OUTLETS -**

These are standard Edison 3-pole grounded electrical outlets.

2. INTERNAL MICROPHONE -

The T4™ comes equipped with a built-in microphone to pick-up the beat of the music. This is used to trigger the controller in the audio mode. The internal microphone will have no function when chase mode is selected.

3. MODE SELECTOR SWITCH -

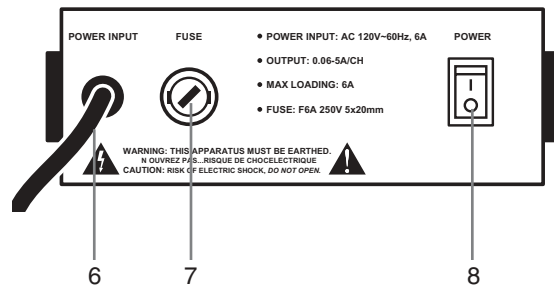
This switch is used to select any of the three operating modes; Slow, Normal, or Audio.

4. LED INDICATORS -

The four channel LED's will also glow to indicate channel activity.

5. SPEED ADJUSTMENT KNOB -

The T4™ uses a speed control knob to adjust the chase rate of the built in program. Turning the speed knob in a clockwise direction will increase the chase rate, turning the speed knob in a counter-clockwise direction will decrease the chase rate.



6. Power Cord - This cord provides the unit's main power. Please follow the following power guide lines:

- Be sure that the local power outlet match that of the required voltage of the unit.
- Do not attempt to operate this unit if the power cord has been frayed or damaged.
- Disconnect from main power before making any type of connection.
- Never plug this mixer in to a dimmer pack.
- Route your power cord out of the way of foot traffic.
- Power Cord Protection - Power supply cords should be routed so that they are not likely to be walked on or pinched by items placed upon or against them, paying particular attention to cords at plugs, convenience receptacles, and the point where they exit from the mixer.
- Disconnect main power during long periods of none use.

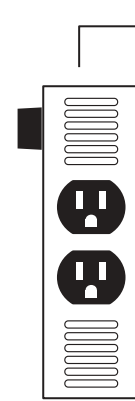
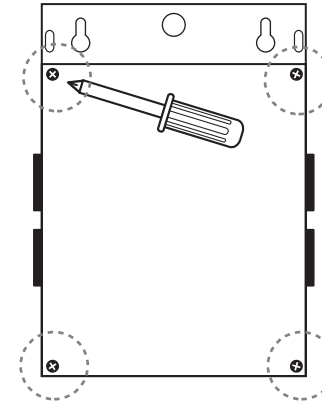
7. Fuse Holder & Fuse - This fuse holder holds a 6.3A GMA fuse. To replace the fuse; Insert a flat head screwdriver into the fuse holder slot and turn counter-clockwise. Remove the fuse holder and replace with a similar fuse. Replace in reverse order.

Caution: Always replace with the exact same type fuse, unless otherwise specified by an authorized American DJ® service technician. Replacing with a fuse other than specified may damage your unit and will void your manufactures warranty

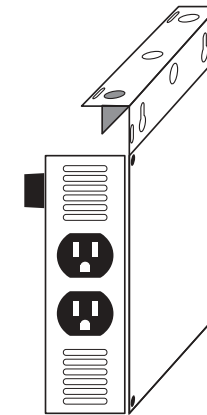
8. Power Switch - This is the main power ON/OFF button. Before main power is applied, be sure you have made all connections.

The T4™ backing plate was designed to be removed and reversed. Reversing the backing plate will allow you to mount the T4™ to a tripod, such as the American DJ® LTS-6,™ without the use of a clamp. To reverse the backing plate, be sure

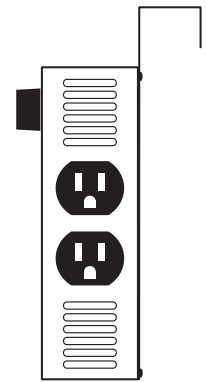
Step 1: With a Phillips #1 screwdriver remove the four screw that hold the back plate to unit.



Step 2: Remove the backing plate from the unit.



Step 3: Flip the backing plate over and reattached to the unit.



Step 4: Line up the screw holes and

90 DAY LIMITED WARRANTY

A. American DJ® hereby warrants, to the original purchaser, American DJ® products to be free of manufacturing defects in material and workmanship for a period of 90 days from the date of purchase. This warranty shall be valid only if the product is purchased within the United States of America, including possessions and territories. It is the owner's responsibility to establish the date and place of purchase by acceptable evidence, at the time service is sought.

B. For warranty service, send the product only to the American DJ® factory. All shipping charges must be pre-paid. If the requested repairs or service (including parts replacement) are within the terms of this warranty, American DJ® will pay return shipping charges only to a designated point within the United States. If the entire instrument is sent, it must be shipped in its original package. No accessories should be shipped with the product. If any accessories are shipped with the product, American DJ® shall have no liability whatsoever for loss of or damage to any such accessories, nor for the safe return thereof.

C. This warranty is void if the serial number has been altered or removed; if the product is modified in any manner which American DJ® concludes, after inspection, affects the reliability of the product; if the product has been repaired or serviced by anyone other than the American DJ® factory unless prior written authorization was issued to purchaser by American DJ®; if the product is damaged because not properly maintained as set forth in the instruction manual.

D. This is not a service contract, and this warranty does not include maintenance, cleaning or periodic check-up. During the period specified above, American DJ® will replace defective parts at its expense, and will absorb all expenses for warranty service and repair labor by reason of defects in material or workmanship. The sole responsibility of American DJ® under this warranty shall be limited to the repair of the product, or replacement thereof, including parts, at the sole discretion of American DJ®. All products covered by this warranty were manufactured after January 1, 1990, and bear identifying marks to that effect.

E. American DJ® reserves the right to make changes in design and/or improvements upon its products without any obligation to include these changes in any products theretofore manufactured.

F. No warranty, whether expressed or implied, is given or made with respect to any accessory supplied with products described above. Except to the extent prohibited by applicable law, all implied warranties made by American DJ® in connection with this product, including warranties of merchantability or fitness, are limited in duration to the warranty period set forth above. And no warranties, whether expressed or implied, including warranties of merchantability or fitness, shall apply to this product after said period has expired. The consumer's and or Dealer's sole remedy shall be such repair or replacement as is expressly provided above; and under no circumstances shall American DJ® be liable for any loss or damage, direct or consequential, arising out of the use of, or inability to use, this product.

G. This warranty is the only written warranty applicable to American DJ® Products and supersedes all prior warranties and written descriptions of warranty terms and conditions heretofore published.

Model: T4™**Specifications:**

Power Input:	AC 120v/60Hz
Maximum Output:	6.3A
Fuse:	6.3A GMA
Size:	8" x 5.5 " x 2"
Weight:	2.6 Lbs. (1.17Kgs)

Specifications and improvements in the design of this unit and this manual are subject to change without any prior written notice.

©American DJ

American DJ Supply World Headquarters:
4295 Charter Street Los Angeles, CA 90058 USA

Tel: 323-582-2650 Fax: 323-582-2610

Web: www.americandj.com E-mail: info@americandj.com