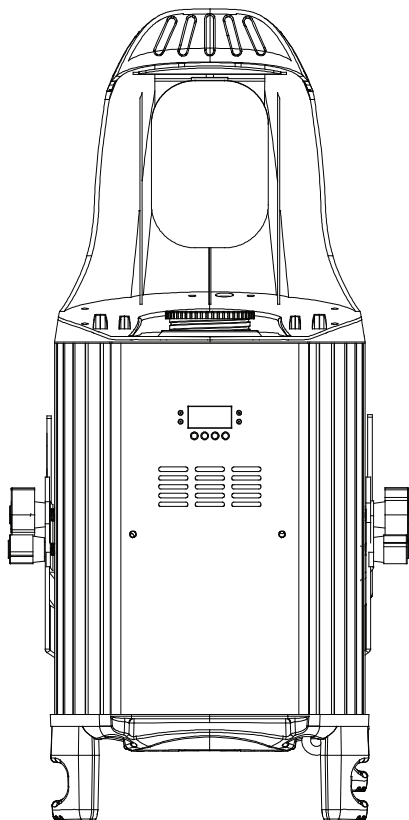




# InnoScanLED



## User Instructions

### Inno Scan LED

### General Information

**Unpacking:** Thank you for purchasing the Inno Scan LED by American DJ®. Every Inno Scan LED has been thoroughly tested and has been shipped in perfect operating condition. Carefully check the shipping carton for damage that may have occurred during shipping. If the carton appears to be damaged, carefully inspect your fixture for any damage and be sure all equipment necessary to operate the unit has arrived intact. In the event damage has been found or parts are missing, please contact our toll free customer support number for further instructions. Please do not return this unit to your dealer without contacting customer support first.

**Introduction:** The Inno Scan LED is a DMX intelligent LED scanner. The Inno Scan LED has 2 DMX channel modes; a 8 channel mode & 11 channel mode. The Inno Scan LED has three operating modes; a sound active, show mode, DMX controlled. The Inno Scan LED can operate as a stand alone fixture or in a Master/Slave configuration. *For best results use fog or special effects smoke to enhance the beams projections.*

**Customer Support:** American DJ® provides a toll free customer support line, to provide help and to answer any question should you encounter problems during your set up or initial operation. You may also visit us on the web at [www.americandj.com](http://www.americandj.com) for any comments or suggestions. Service Hours are Monday through Friday 8:00 a.m. to 4:30 p.m. Pacific Standard Time.

Voice: (800) 322-6337

Fax: (323) 582-2941

E-mail: [support@americandj.com](mailto:support@americandj.com)

To purchase parts online visit <http://parts.americandj.com>

**Warning!** To prevent or reduce the risk of electrical shock or fire, do not expose this unit to rain or moisture.

**Warning!** *This may cause severe eye damage. Avoid looking directly into the light source at all times!*

## Inno Scan LED

## General Instructions

To optimize the performance of this product, please read these operating instructions carefully to familiarize yourself with the basic operations of this unit. These instructions contain important safety information regarding the use and maintenance of this unit. Please keep this manual with the unit, for future reference.

## Inno Scan LED

## Features

- 2 DMX Channel Modes (8 Channel Mode & 11 Channel Mode)
- 3 Operating Modes - Sound Active, Show Mode, & DMX Control
- Internal Microphone
- Digital Display for Address and Function Setting
- UC3 Controller (Not Included)
- 12 Preprogrammed Shows
- 8 Colors + White
- 6 Replaceable Gobos + Spot

## Inno Scan LED

## Warranty Registration

The Inno Scan LED carries a 3 year (1095 days) limited warranty. Please fill out the enclosed warranty card to validate your purchase and warranty. You may also register your product online at [www.americandj.com](http://www.americandj.com). All returned service items whether under warranty or not, must be freight pre-paid and accompany a return authorization (R.A.) number. If the unit is under warranty you must provide a copy of your proof of purchase invoice. Please contact American DJ® customer support for a R.A. number.

## Inno Scan LED

## Handling Precautions

**Caution!** There are no user serviceable parts inside this unit. Do not attempt any repairs yourself, doing so will void your manufacturer's warranty. In the unlikely event your unit may require service please contact American DJ®.

*During operation the housing may become extremely hot. Avoid touching the unit with bare hands while in use.*

*American DJ® will not accept any liability for any resulting damages caused by the non-observance of this manual or any unauthorized modification to this unit.*

## Inno Scan LED

## Safety Precautions

***For Your Own Personal Safety, Please Read and Understand This Manual Completely Before You Attempt To Install Or Operate This Unit!***

- To reduce the risk of electrical shock or fire, do not expose this unit rain or moisture
- Do not spill water or other liquids into or on to your unit.
- Do not attempt to operate this unit if the power cord has been frayed or broken.
- Do not attempt to remove or break off the ground prong from the electrical cord. This prong is used to reduce the risk of electrical shock and fire in case of an internal short.
- Disconnect from main power before making any type of connection.
- Do not remove the cover under any conditions. There are no user serviceable parts inside.
- Never operate this unit when its cover is removed.
- Always be sure to mount this unit in an area that will allow proper ventilation. Allow about 6" (15cm) between this device and a wall.
- Do not attempt to operate this unit, if it becomes damaged.
- This unit is intended for indoor use only, use of this product outdoors voids all warranties.
- Always mount this unit in safe and stable matter.
- Power-supply cords should be routed so that they are not likely to be walked on or pinched by items placed upon or against them, paying particular attention to cords at plugs, convenience receptacles, and the point where they exit from the appliance.
- Cleaning -The fixture should be cleaned only as recommended by the manufacturer. See page 22 for cleaning details.
- Heat -This fixture should be situated away from heat sources such as radiators, heat registers, stoves, or other appliances (including amplifiers) that produce heat.
- The fixture should be serviced by qualified service personnel when:
  - A. Objects have fallen, or liquid has been spilled into the appliance.
  - B. The appliance has been exposed to rain or water.
  - C. The appliance does not appear to operate normally or exhibits a marked change in performance.

**Power Supply:** The American DJ® Inno Scan LED contains an automatic voltage switch, which will auto sense the voltage when it is plugged into a power source. With this switch there is no need to worry about the correct power voltage, this unit can be plugged in anywhere.

**DMX-512:** DMX is short for Digital Multiplex. This is a universal protocol used by most lighting and controller manufactures as a form of communication between intelligent fixtures and controllers. A DMX controller sends DMX data instructions from the controller to the fixture. DMX data is sent as serial data that travels from fixture to fixture via the DATA “IN” and DATA “OUT” XLR terminals located on all DMX fixtures (most controllers only have a DATA “OUT” terminal).

**DMX Linking:** DMX is a language allowing all makes and models of different manufactures to be linked together and operate from a single controller, as long as all fixtures and the controller are DMX compliant. To ensure proper DMX data transmission, when using several DMX fixtures try to use the shortest cable path possible. The order in which fixtures are connected in a DMX line does not influence the DMX addressing. For example; a fixture assigned a DMX address of 1 may be placed anywhere in a DMX line, at the beginning, at the end, or anywhere in the middle. Therefore, the first fixture controlled by the controller could be the last fixture in the chain. When a fixture is assigned a DMX address of 1, the DMX controller knows to send DATA assigned to address 1 to that unit, no matter where it is located in the DMX chain.

**Data Cable (DMX Cable) Requirements (For DMX and Master/Slave Operation):** The Inno Scan LED can be controlled via DMX-512 protocol. The Inno Scan LED can be either be a 8 or 11 channel DMX unit. The DMX address is set electronically using the controls on the front panel of the unit. Your unit and your DMX controller require an approved DMX-512 110 Ohm Data cable for data input and data output (Figure 1). We recommend Accu-Cable DMX cables. If you are making your own cables, be sure to use standard 110-120 Ohm shielded cable (This cable may be purchased at almost all professional sound and lighting stores). Your cables should be made with a male and female XLR connector on either end of the cable. Also remember



Figure 1

that DMX cable must be daisy chained and cannot be split.

**Notice:** Be sure to follow figures two and three when making your own cables. Do not use the ground lug on the XLR connector. Do not connect the cable’s shield conductor to the ground lug or allow the shield conductor to come in contact with the XLR’s outer casing. Grounding the shield could cause a short circuit and erratic behavior.

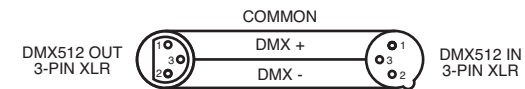


Figure 2

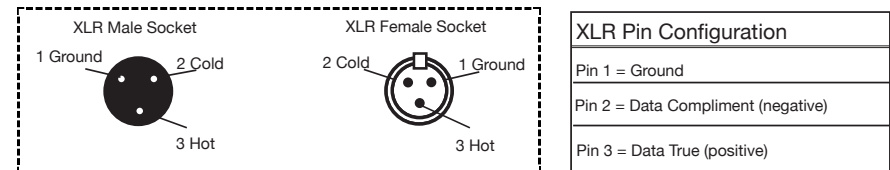


Figure 3

**Special Note: Line Termination.** When longer runs of cable are used, you may need to use a terminator on the last unit to avoid erratic behavior. A terminator is a 110-120 ohm 1/4 watt resistor which is connected between pins 2 and 3 of a male XLR connector (DATA + and DATA -). This unit is inserted in the female XLR connector of the last unit in your daisy chain to terminate the line. Using a cable terminator (ADJ part number Z-DMX/T) will decrease the possibilities of erratic behavior.

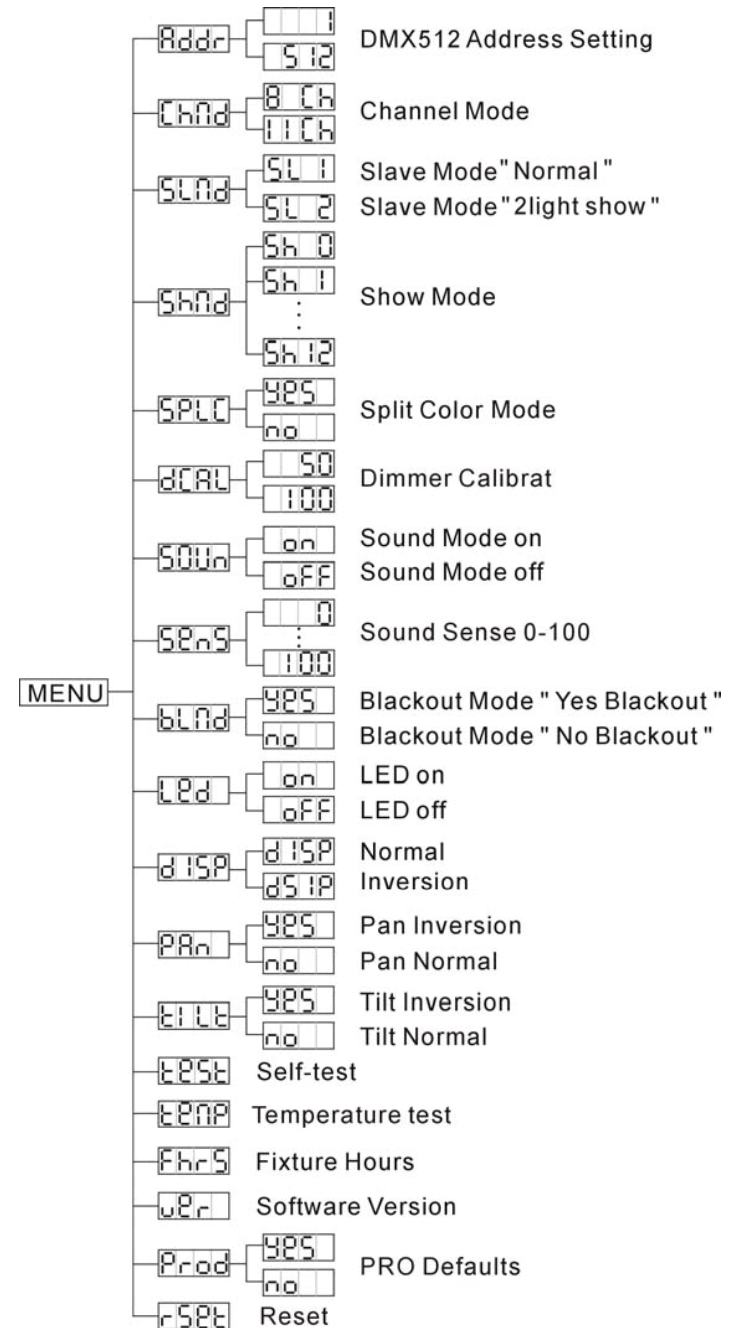


Termination reduces signal errors and avoids signal transmission problems and interference. It is always advisable to connect a DMX terminal, (Resistance 120 Ohm 1/4 W) between PIN 2 (DMX-) and PIN 3 (DMX +) of the last fixture.

Figure 4

**5-Pin XLR DMX Connectors.** Some manufactures use 5-pin DMX-512 data cables for DATA transmission in place of 3-pin. 5-pin DMX fixtures may be implemented in a 3-pin DMX line. When inserting standard 5-pin data cables in to a 3-pin line a cable adaptor must be used, these adaptors are readily available at most electric stores. The chart below details a proper cable conversion.

3-Pin XLR to 5-Pin XLR Conversion		
Conductor	3-Pin XLR Female (Out)	5-Pin XLR Male (In)
Ground/Shield	Pin 1	Pin 1
Data Compliment (- signal)	Pin 2	Pin 2
Data True (+ signal)	Pin 3	Pin 3
Not Used		Pin 4 - Do Not Use
Not Used		Pin 5 - Do Not Use



**ADDR - DMX Address Setting.**

1. Press the MENU button until "ADDR" is displayed, press ENTER.
2. The current address will now be displayed and flashing. Press the UP or DOWN buttons to find your desired address. When you have found your desired DMX address press ENTER then press and hold the MENU button for at least 3 seconds to set your desired DMX address.
3. Connect your DMX Controller.

**CHND - In this submenu you are able to switch between 8 Channel mode and 11 Channel mode.**

1. Press the MENU button until "CHND" is displayed, press ENTER. Either "8CH" or "11CH" will be displayed
2. Press the UP or DOWN buttons to choose your desired DMX channel mode and press ENTER to confirm and exit.

**SLND - This will let you set unit as a master or slave in a master/slave configuration.**

1. Press the MENU button until "SLND" is displayed, press ENTER. Either "SL 1" or "SL 2" will be displayed.
2. Press the UP or DOWN buttons until your desired setting is displayed, and press ENTER to confirm.

**NOTE:** In a Master/Slave configuration you can set one fixture to Master and then set the next fixture to "SL 2", the fixtures will now have contrast movement to each other.

**SHND: SH 0 - SH12 - Show modes 0-12 (Factory programs). Show mode can run with or without sound active mode active.**

1. Press the MENU button until "SHND" is displayed, press ENTER.
2. "Sh X" will now be displayed, "X" representing a number between 0-12. Programs 1-12 are factory programs, while "Sh 0" is random mode. Press the UP or DOWN buttons to find your desired show.
3. When you have found your desired show press ENTER, then press and hold the MENU button for at least 3 seconds to activate. After you have set your desired show, it can be changed at any time using the UP or DOWN buttons.

**SPLC - Split Color mode. With this mode active, color output will be split and whole. This mode needs to be activated for the split color to work in DMX Mode.**

1. Press the MENU button until "SPLC" is displayed, press ENTER.
2. The display will show either "YES" or "NO". Press the UP or DOWN buttons to select "YES" to activate split color mode, or "NO" to deactivate split color mode.
3. Press ENTER to confirm.

**OCAL - In this mode you can adjust the LED output intensity.**

1. Press the MENU button until "OCAL" is displayed, press ENTER.
2. A number between 50-100 will be displayed. Press the UP or DOWN buttons to adjust the LED output intensity. 50 being medium intensity, and 100 being full intensity.
3. When you have found your desired setting press ENTER to confirm.



**SOUN - Sound Active mode.**

1. Press the MENU button until "SOUN" is displayed, press ENTER.
2. The display will show either "ON" or "OFF". Press the UP or DOWN buttons to select "ON" to activate sound active mode, or "OFF" to deactivate sound active mode.
3. Press ENTER, then press and hold the MENU button for at least 3 seconds to activate.

**SENS - In this mode you can adjust the sound sensitivity.**

1. Press the MENU button until "SENS" is displayed, press ENTER.
2. A number between 0-100 will be displayed. Press the UP or DOWN buttons to adjust the sound sensitivity. 0 being the least sensitive, and 100 being the most sensitive.
3. When you have found your desired setting press ENTER to confirm.

**BLND - Blackout or Stand by mode.**

1. Press the MENU button until "BLND" is displayed, press ENTER. Either Yes or No will be displayed.
2. To activate Blackout tap the UP or DOWN buttons until "Yes" is displayed, press ENTER to confirm. The fixture will now be in Blackout mode. To deactivate Blackout mode, select "No" and press Enter.

**LED - With this function you can have the LED display turn off after 10 seconds.**

1. Press the MENU button until "LED" is displayed, press ENTER.

2. The display will show either "ON" or "OFF". Press the UP or DOWN buttons to select "ON" to keep the LED display on at all times, or "OFF" to switch to have the LED display switch off after 10 seconds.
3. Press ENTER to confirm. To make the LED display reappear after it has turned off, press any button.

**DISP - This function will reverse the display 180°.**

1. Press the either the MENU button until "DISP" is displayed, press ENTER.
2. Press the UP button to select "DISP" to "flip" the display, or "DISP" to change the display back.
3. Press ENTER to confirm.

**PAN - Pan Inversion**

1. Press the MENU button until "PAN" is displayed, press ENTER. Either Yes or No will be displayed.
2. To activate the Pan inversion press the UP or DOWN buttons until YES is displayed, press ENTER to confirm. To deactivate Pan inversion, select NO and press Enter.

**TILT - Tilt Inversion**

1. Press the MENU button until "TILT" is displayed, press ENTER. Either YES or NO will be displayed.
2. To activate the Tilt inversion press the UP or DOWN buttons until YES is displayed, press ENTER to confirm. To deactivate Tilt inversion, select NO and press Enter.

**TEST - This function will run a self test program. The test program will test pan/tilt movement and colors.**

1. Press the MENU button until "TEST" is displayed, press ENTER.
2. The fixture will now run a self test. Press MENU to exit.

### TEMP - With this function you can check the temperature of the fixture.

1. Press the MENU button until "TEMP" is displayed, press ENTER.
2. The temperature of the fixture will now be displayed. Press MENU to exit.

### FHRS - With this function you can display the running time of the unit.

1. Press the MENU button until "FHRS" is displayed, press ENTER.
2. The running time of the fixture will now be displayed. Press MENU to exit.

### VER - With this function you can display the software version of the unit.

1. Press the MENU button until "VER" is displayed, press ENTER.
2. The software version will now be displayed. Press MENU to exit

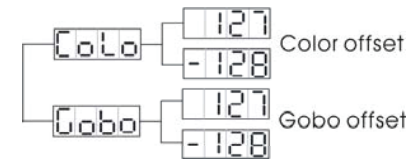
### PROD - Pro defaults.

1. Press the MENU button until "PROD" is displayed, press ENTER.
2. The display will show either "YES" or "NO". Press the UP or

- DOWN buttons to select "YES" to reset back to PRO default settings, or "NO" to not reset to PRO defaults.
3. Press ENTER to confirm.

### RSET - Use this function to reset the unit.

1. Press the MENU button until "RSET" is displayed, press ENTER.
2. The fixture will now reset.



To enter the Color/Gobo wheel adjustment submenu, press the ENTER button for at least 5 seconds. In this submenu you are able to adjust the original position of the gobo wheel and color wheel.

### COLO - Adjustment of the color wheel.

1. Press the ENTER button for at least 5 seconds, then press the UP or DOWN buttons so that "COLO" is displayed, press ENTER.
2. Use the UP and DOWN buttons to make your adjustments, and then press ENTER to confirm. Press the MENU button for one second to exit.

### GOGO - Adjustment of the gobo wheel.

1. Press the ENTER button for at least 5 seconds, then press the UP or DOWN buttons so that "GOGO" is displayed, press ENTER.
2. Use the UP and DOWN buttons to make your adjustments, and then press ENTER to confirm. Press the MENU button for one second to exit.

**Operating Modes:** The Inno Scan LED can operate in three different modes. In each mode you can run the fixture as a stand alone fixture or in a master/slave configuration. This next section will detail the differences in the operating modes.

• **Sound Active mode -**

The fixture will react to sound, chasing through the built-in programs.

• **Show mode -**

The fixture will run one of 12 shows.

• **DMX control mode -**

This function will allow you to control each individual fixtures traits with a standard DMX-512 controller such as the Elation® Show Designer.™

**Master-Slave Operation** This function will allow you to link up to 16 units together and operate without a controller. The units will be sound activated. In Master-Slave operation one unit will act as the controlling unit and the others will react to the controlling units programs. Any unit can act as a Master or as a Slave.

1. Using approved DMX data cables, daisy chain your units together via the XLR connector on the rear of the units. Remember the Male XLR connector is the input and the Female XLR connector is the output. The first unit in the chain (master) will use the female XLR connector only - The last unit in the chain will use the male XLR connector only. For longer cable runs we suggest a terminator at the last fixture.
2. Set the Master unit to your desired operating mode.
3. On the slave units tap the MENU button until “SLND” is displayed, and Press ENTER. Choose either “SL 1” or “SL 2” and press ENTER. See page 9 for more info.
4. The slave units will now follow the Master unit.

**Universal DMX Control:** This function allows you to use a Elation® universal DMX-512 controller to control the chases and patterns, dimmer and strobe. A DMX controller allows you to create unique programs tailored to your individual needs.

1. The Inno Scan LED has 2 DMX Channel modes; 8 Channel mode and 11 Channel mode. See pages 17-20 for detailed description of the DMX values and traits.

2. To control your fixture in DMX mode, follow the set-up procedures on pages 5-7 as well as the set-up specifications that are included with your DMX controller.
3. Use your DMX controller’s faders to control the various DMX fixture traits.
4. Follow the instructions on page 9 to select your DMX channel mode and set the DMX address.
5. For longer cable runs (more than a 100 feet) use a terminator on the last fixture.
6. For help operating in DMX mode consult the manual included with your DMX controller.

**Sound Active Mode:** This mode allows either a single unit or several units linked together, to run to the beat of the music.

1. Press the MENU button until “SOUND” is displayed, and press ENTER. Press the UP or DOWN buttons so that “ON” is displayed and press ENTER.
2. The optional UC3 Controller (not included) may be used to control different functions including blackout.

**Show Mode:** This mode allows either a single unit or several units linked together, to run one of 12 shows that you choose. Show mode can run with or without sound active mode.

1. Press the MENU button until “SHND” is displayed, and press ENTER.
2. Press the UP or DOWN buttons until you find your desired show, press ENTER, then press and hold the MENU button for at least 3 seconds to activate. After you have set your desired show, it can be changed at any time using the UP or DOWN buttons.

Stand By	Blackout the unit		
Function	1. Strobe in synchronization 2. Strobe in desynchronization 3. Strobe by music	Select Movement  1-12	Color/Gobo selection  1. Press shortly for color change. 2. Hold on for Gobo change.
Mode	Sound(LED OFF)	Movement (LED Blinking)	GOBO/Color (LED ON)



Inno Scan LED		8 Channel Mode
Channel	Value	Function
1	0 - 255	PAN 0° - 540°
2	0 - 255	TILT 0° - 270°
3		<u>STROBE</u>
	0 - 7	BLACKOUT
	8 - 15	OPEN
	16 - 131	STROBING SLOW - FAST
	132 - 139	OPEN
	140 - 181	FAST OPEN - SLOW CLOSE
	182 - 189	OPEN
	190 - 231	FAST CLOSE - SLOW OPEN
	232 - 239	OPEN
	240 - 247	RANDOM STROBE
248 - 255	OPEN	
4		<u>COLOR WHEEL</u>
	0 - 14	WHITE
	15 - 21	WHITE/RED
	22 - 28	RED
	29 - 35	RED/ORANGE
	36 - 42	ORANGE
	43 - 49	ORANGE/YELLOW
	50 - 56	YELLOW
	57 - 63	YELLOW/GREEN
	64 - 70	GREEN
	71 - 77	GREEN/CYAN
	78 - 84	CYAN
	85 - 91	CYAN/MAGENTA
	92 - 98	MAGENTA
	99 - 105	MAGENTA/LIGHT BLUE
	106 - 112	LIGHT BLUE
	113 - 119	LIGHT BLUE/PURPLE
	120 - 127	PURPLE
128 - 191	CLOCKWISE ROTATION FAST - SLOW	
192 - 255	COUNTER-CLOCKWISE ROTATION SLOW - FAST	

To access the split colors, split color mode must be activated in the system menu. Please see page 10.

Inno Scan LED		8 Channel Mode
Channel	Value	Function
5		<u>GOBO WHEEL</u>
	0 - 9	OPEN
	10 - 18	GOBO 1
	19 - 27	GOBO 2
	28 - 36	GOBO 3
	37 - 45	GOBO 4
	46 - 54	GOBO 5
	55 - 63	GOBO 6
	64 - 74	GOBO 1 SHAKE
	75 - 85	GOBO 2 SHAKE
	86 - 95	GOBO 3 SHAKE
	96 - 106	GOBO 4 SHAKIE
	107 - 116	GOBO 5 SHAKE
	117 - 127	GOBO 6 SHAKE
	128 - 189	CLOCKWISE ROTATION FAST - SLOW
	190 - 193	STOP
	194 - 255	COUNTER-CLOCKWISE ROTATION SLOW - FAST
6		GOBO ROTATION
	0 - 127	GOBO INDEXING
	128 - 189	CLOCKWISE ROTATION FAST - SLOW
	190 - 193	STOP
	194 - 255	COUNTER-CLOCKWISE ROTATION SLOW - FAST
7	0 - 255	DIMMER 0% - 100%
8		<u>RESET/BLACKOUT</u>
	0 - 69	NO FUNCTION
	70 - 79	ENABLE BLACKOUT WHILE PAN/TILT MOVE
	80 - 89	DISABLE BLACKOUT WHILE PAN/TILT MOVE
	90 - 99	ENABLE BLACKOUT WHILE COLOR CHANGE
	100 - 109	DISABLE BLACKOUT WHILE COLOR CHANGE
	110 - 119	ENABLE BLACKOUT WHILE GOBO CHANGE
	120 - 129	DISABLE BLACKOUT WHILE GOB CHANGE
	130 - 199	NO FUNCTION
	200 - 209	RESET ALL
	210 - 239	NO FUNCTION
	240 - 255	SOUND ACTIVE

Inno Scan LED		11 Channel Mode
Channel	Value	Function
1	0 - 255	PAN 0° - 180°
2	0 - 255	PAN FINE
3	0 - 255	TILT 0° - 70
4	0 - 255	TILT FINE
5	0 - 255	PAN/TILT MOVE SPEED SLOW - FAST
6	0 - 255	DIMMER 0% - 100%
7	0 - 7	STROBE
	8 - 15	BLACKOUT
	16 - 131	OPEN
	132 - 139	STROBING SLOW - FAST
	140 - 181	OPEN
	182 - 189	FAST OPEN - SLOW CLOSE
	190 - 231	OPEN
	232 - 239	FAST CLOSE - SLOW OPEN
	240 - 247	OPEN
	248 - 255	RANDOM STROBE
8	0 - 14	OPEN
	15 - 21	STROBE
	22 - 28	BLACKOUT
	29 - 35	FAST OPEN
	36 - 42	ORANGE
	43 - 49	ORANGE/YELLOW
	50 - 56	YELLOW
	57 - 63	YELLOW/GREEN
	64 - 70	GREEN
	71 - 77	GREEN/CYAN
	78 - 84	CYAN
	85 - 91	CYAN/MAGENTA
	92 - 98	MAGENTA
	99 - 105	MAGENTA/LIGHT BLUE
	106 - 112	LIGHT BLUE
	113 - 119	LIGHT BLUE/PURPLE
	120 - 127	PURPLE
	128 - 191	CLOCKWISE ROTATION FAST - SLOW
	192 - 255	CCW ROTATION SLOW - FAST

Inno Scan LED		11 Channel Mode	
Channel	Value	Function	
9	0 - 9	GOBO WHEEL	
	10 - 18	OPEN	
	19 - 27	GOBO 1	
	28 - 36	GOBO 2	
	37 - 45	GOBO 3	
	46 - 54	GOBO 4	
	55 - 63	GOBO 5	
	64 - 74	GOBO 6	
	75 - 85	GOBO 1 SHAKE	
	86 - 95	GOBO 2 SHAKE	
	96 - 106	GOBO 3 SHAKE	
	107 - 116	GOBO 4 SHAKE	
	117 - 127	GOBO 5 SHAKE	
	128 - 189	GOBO 6 SHAKE	
	190 - 193	CLOCKWISE ROTATION FAST - SLOW	
	194 - 255	STOP	
	10	0 - 127	COUNTER-CLOCKWISE ROTATION
		128 - 189	SLOW - FAST
190 - 193		GOBO ROTATION	
194 - 255		GOBO INDEXING	
		CLOCKWISE ROTATION FAST - SLOW	
11	0 - 69	STOP	
	70 - 79	COUNTER-CLOCKWISE ROTATION	
	80 - 89	SLOW - FAST	
	90 - 99	RESET/BLACKOUT	
	100 - 109	NO FUNCTION	
	110 - 119	ENABLE BLACKOUT WHILE PAN/TILT MOVE	
	120 - 129	DISABLE BLACKOUT WHILE PAN/TILT MOVE	
	130 - 199	ENABLE BLACKOUT WHILE COLOR CHANGE	
	200 - 209	DISABLE BLACKOUT WHILE COLOR CHANGE	
	210 - 239	ENABLE BLACKOUT WHILE GOBO CHANGE	
	240 - 255	DISABLE BLACKOUT WHILE GOB CHANGE	
		NO FUNCTION	
		NO FUNCTION	
		RESET ALL	
	NO FUNCTION		
	SOUND ACTIVE		

## Inno Scan LED

## Gobo Replacement

This unit comes with interchangeable gobos. When changing the gobos please be very careful. Follow the instructions below, and see the figure pictures on the next page.

**Caution!** *Never open the unit when in use. Always disconnect the main power before attempting to change the gobos.*

1. Start by standing the fixture upright so that it is sitting on the bottom handles. Unscrew the two phillips screws located on the front panel just underneath the air vents.
2. Carefully remove the front panel to access the gobo wheel.
3. Rotate the gobo wheel with your hand until you find the gobo you would like to change.
4. Using a pair of needle nose pliers, grab the retainer ring that holds the gobo in place and remove the ring. You can also remove the gobo by carefully pushing the gobo from the bottom, pushing it up and out. Do this carefully so that you don't lose the retainer ring and the gobo.
5. Once you have removed the gobo carefully insert your new gobo and reinsert the retainer ring.
6. Reassemble the unit.

## Inno Scan LED

## Fuse Replacement

Locate and remove the unit's power cord. Once the cord has been removed locate the fuse holder located inside the power socket. Insert a flat-head screw driver into the power socket and gently pry out the fuse holder. Remove the bad fuse and replace with a new one. The fuse holder has a built-in socket for a spare fuse be sure not to confuse the spare fuse with active fuse.

## Inno Scan LED

## Cleaning

**Fixture Cleaning:** Due to fog residue, smoke, and dust cleaning the internal and external optical lenses and mirror should be carried out periodically to optimize light output. Cleaning frequency depends on the environment in which the fixture operates (i.e. smoke, fog residue, dust, dew). In heavy club use we recommend cleaning on a monthly basis. Periodic cleaning will ensure longevity, and crisp output.

1. Use normal glass cleaner and a soft cloth to wipe down the outside casing.
2. Use a brush to wipe down the cooling vents and fan grill.
3. Clean the external optics with glass cleaner and a soft cloth every 20 days.
4. Clean the internal optics with glass cleaner and a soft cloth every 30-60 days.
5. Always be sure to dry all parts completely before plugging the unit back in.

## Inno Scan LED

## Trouble Shooting

**Trouble Shooting:** Listed below are a few common problems that you may encounter, with solutions.

### ***No light output from the unit;***

1. Be sure the external fuse has not blown. The fuse is located on the bottom panel of the unit.
2. Be sure the fuse holder is completely and properly seated.

### ***Unit does not respond to sound;***

1. Low frequencies (bass) should cause the unit to react to sound. Tapping on the microphone, quiet or high pitched sounds may not activate the unit.

## Inno Scan LED

## Warranty

### MANUFACTURER'S LIMITED WARRANTY

A. American DJ, Inc. hereby warrants, to the original purchaser, American DJ and American Audio products to be free of manufacturing defects in material and workmanship for a prescribed period from the date of purchase (see specific warranty period on reverse). This warranty shall be valid only if the product is purchased within the United States of America, including possessions and territories. It is the owner's responsibility to establish the date and place of purchase by acceptable evidence, at the time service is sought.

B. For warranty service you must obtain a Return Authorization number (RA#) before sending back the product. Contact American DJ, Inc. Service Department at 800-322-6337. Send the product only to the American DJ, Inc. factory. All shipping charges must be pre-paid. If the requested repairs or service (including parts replacement) are within the terms of this warranty, American DJ, Inc. will pay return shipping charges only to a designated point within the United States. If the entire instrument is sent, it must be shipped in it's original package. No accessories should be shipped with the product. If any accessories are shipped with the product, American DJ, Inc. shall have no liability whatsoever for loss of or damage to any such accessories, nor for the safe return thereof.

C. This warranty is void if the serial number has been altered or removed; if the product is modified in any manner which American DJ, Inc. concludes, after inspection, affects the reliability of the product; if the product has been repaired or serviced by anyone other than the American DJ, Inc. factory unless prior written authorization was issued to purchaser by American DJ, Inc.; if the product is damaged because not properly maintained as set forth in the instruction manual.

D. This is not a service contract, and this warranty does not include maintenance, cleaning or periodic check-up. During the period specified above, American DJ, Inc. will replace defective parts at its expense with new or refurbished parts, and will absorb all expenses for warranty service and repair labor by reason of defects in material or workmanship. The sole responsibility of American DJ, Inc. under this warranty shall be limited to the repair of the product, or replacement thereof, including parts, at the sole discretion of American DJ. All products covered by this warranty were manufactured after January 1, 1990, and bear identifying marks to that effect.

E. American DJ, Inc. reserves the right to make changes in design and/or improvements upon its products without any obligation to include these changes in any products theretofore manufactured. No warranty, whether expressed or implied, is given or made with respect to any accessory supplied with products described above. Except to the extent prohibited by applicable law, all implied warranties made by American DJ, Inc. in connection with this product, including warranties of merchantability or fitness, are limited in duration to the warranty period set forth above. And no warranties, whether expressed or implied, including warranties of merchantability or fitness, shall apply to this product after said period has expired. The consumer's and/or Dealer's sole remedy shall be such repair or replacement as is expressly provided above; and under no circumstances shall American DJ, Inc. be liable for any loss or damage, direct or consequential, arising out of the use of, or inability to use, this product.

This warranty is the only written warranty applicable to American DJ and American Audio Products and supersedes all prior warranties and written descriptions of warranty terms and conditions heretofore published.

### MANUFACTURER'S LIMITED WARRANTY PERIODS:

- All American Audio Products = 1-year (365 day) Limited Warranty (except V-Plus Series Amplifiers)
  - All American Audio V-Plus Series Amplifiers = 3-year (1095 day) Limited Warranty
  - American DJ Lighting and American DJ Branded Products = 1-year (365 day) Limited Warranty (Such as: Special Effect Lighting, Intelligent Lighting, UV lighting, Strobos, Fog Machines, Bubble Machines, Mirror Balls, Par Cans, Trussing, Lighting Stands etc. excluding Laser Products, lamps, and Star Tec Series)
  - American DJ Laser Products and Star Tec Products = 90-Day Limited Warranty
  - American DJ L.E.D. Products = 3-year (1095 day) Limited Warranty (excluding motors, PCB boards, and power supplies, which have a 1-year (365 day Limited Warranty).
- American DJ® - [www.americandj.com](http://www.americandj.com) - Inno Scan LED Instruction Manual Page 23

## Inno Scan LED

## Specifications

<b>Model:</b>	<b>Inno Scan LED</b>
<b>Voltage:</b>	100V ~ 240V/50~60Hz
<b>LED:</b>	1 x 50W LED
<b>Power Consumption:</b>	103W
<b>Dimensions:</b>	11"(L) x 8.25"(W) x 22"(H) 274mm x 208mm x 555mm
<b>Beam Angle:</b>	9 Degree
<b>Weight:</b>	14 Lbs. / 6.3 kgs.
<b>Fuse:</b>	2 Amp
<b>Duty Cycle:</b>	None
<b>DMX:</b>	8 Channel Mode & 11 Channel Mode
<b>Colors:</b>	8 + White
<b>Gobos:</b>	23.8mm (Size) 19mm (Viewable)
<b>Sound Active:</b>	Yes
<b>Working Position:</b>	Any Safe, Secure Position
<b>Warranty:</b>	3 Year (1095 days)

**Auto Sensing Voltage:** *This fixture contains a automatic voltage switch, which will auto sense the voltage when it is plugged into the power source.*

**Please Note:** *Specifications and improvements in the design of this unit and this manual are subject to change without any prior written notice.*

©American DJ Supply

American DJ World Headquarters:

6122 S. Eastern Ave. Los Angeles, CA 90040 USA

Tel: 323-582-2650 / Fax: 323-725-6100

Web: [www.americandj.com](http://www.americandj.com) / E-mail: [info@americandj.com](mailto:info@americandj.com)

American DJ Europe

Junostraat 2

6468 EW Kerkrade

Netherlands

### Follow Us On:



[facebook.com/americandj](https://facebook.com/americandj)  
[twitter.com/americandj](https://twitter.com/americandj)  
[youtube.com/adjlighting](https://youtube.com/adjlighting)

[service@adjgroup.eu](mailto:service@adjgroup.eu) / [www.americandj.eu](http://www.americandj.eu)

Tel: +31 45 546 85 00 / Fax: +31 45 546 85 99