



**KL FRESNEL 6 FC**

user manual

©2022 **ELATION PROFESSIONAL** all rights reserved. Information, specifications, diagrams, images, and instructions herein are subject to change without notice. ELATION PROFESSIONAL logo and identifying product names and numbers herein are trademarks of ELATION PROFESSIONAL. Copyright protection claimed includes all forms and matters of copyrightable materials and information now allowed by statutory or judicial law or hereinafter granted. Product names used in this document may be trademarks or registered trademarks of their respective companies and are hereby acknowledged. All non-ELATION brands and product names are trademarks or registered trademarks of their respective companies.

**ELATION PROFESSIONAL** and all affiliated companies hereby disclaim any and all liabilities for property, equipment, building, and electrical damages, injuries to any persons, and direct or indirect economic loss associated with the use or reliance of any information contained within this document, and/or as a result of the improper, unsafe, insufficient and negligent assembly, installation, rigging, and operation of this product.

**Elation Professional USA** | 6122 S. Eastern Ave. | Los Angeles, CA. 90040  
 323-582-3322 | 323-832-9142 fax | [www.elationlighting.com](http://www.elationlighting.com) | [info@elationlighting.com](mailto:info@elationlighting.com)

**Elation Professional B.V.** | Junostraat 2 | 6468 EW Kerkrade, The Netherlands  
 +31 45 546 85 66 | +31 45 546 85 96 fax | [www.elationlighting.eu](http://www.elationlighting.eu) | [info@elationlighting.eu](mailto:info@elationlighting.eu)

**Elation Professional Mexico**  
 AV Santa Ana 30 | Parque Industrial Lerma, Lerma, Mexico 52000  
 +52 (728) 282-7070

**DOCUMENT VERSION**



Due to additional product features and/or enhancements, an updated version of this document may be available online. Please scan the QR Code with your mobile device or visit [www.elationlighting.eu](http://www.elationlighting.eu) for the latest revision/update of this manual, before installation and/or programming.

Date	Document Version	Software Version	DMX Channel Mode	Notes
04/04/22	1.0	1.0.1A	1 / 6 / 11 / 18 / 9 / 14 ch.	Initial Release
09/21/22	1.1	N/C	N/C	Update Dim. Drawings.
11/09/22	1.2	N/C	N/C	Updated specifications
04/18/23	1.3	1.0.4A	N/C	Update Software/RDM functionality

# CONTENTS

<b>General Information</b>	<b>4</b>
<b>Limited Warranty</b>	<b>5</b>
<b>Safety Guidelines</b>	<b>6</b>
<b>Maintenance Guidelines</b>	<b>8</b>
<b>Overview</b>	<b>9</b>
<b>Installation Instructions</b>	<b>10</b>
<b>Accessory Installation</b>	<b>14</b>
<b>Remote Device Management (RDM)</b>	<b>16</b>
<b>System Menu   Software Update</b>	<b>17</b>
<b>Encoder Knobs</b>	<b>21</b>
<b>DMX Traits</b>	<b>22</b>
<b>Color Temperature Table</b>	<b>27</b>
<b>Virtual Colors</b>	<b>28</b>
<b>Specifications</b>	<b>29</b>
<b>Dimensional Drawings</b>	<b>30</b>

# GENERAL INFORMATION

## INTRODUCTION

Please read and understand the instructions in this manual carefully and thoroughly before attempting to operate this device. These instructions contain important safety and use information. **This device is intended for use by professionals only, and is not suitable for private use.**

## UNPACKING

Every device has been thoroughly tested and has been shipped in perfect operating condition. Carefully check the shipping carton for damage that may have occurred during shipping. If the carton is damaged, carefully inspect the device for damage, and be sure all accessories necessary to install and operate the device have arrived intact. In the event that damage has been found or parts are missing, please contact our customer support team for further instructions. Please do not return this device to your dealer without first contacting customer support. Please do not discard the shipping carton in the trash. Please recycle whenever possible.

## BOX CONTENTS

Power Cable (x1)  
Gel Filter (x1)  
Barndoor (x1)

## IP RATING

An IP rated lighting fixture has been designed with an enclosure that effectively protects the ingress (entry) of external foreign objects such as dust and/or water. The Ingress Protection (IP) rating system is commonly expressed as "IP" followed by two numbers (i.e. IP20), where the numbers define the degree of protection. The first digit (Foreign Bodies Protection) indicates the extent of protection against particles entering the fixture and the second digit (Water Protection) indicates the extent of protection against water entering the fixture.

**An IP20 rated lighting fixture, such as this one, has been designed and tested to protect against the ingress of solids as small as the size of an adult finger (approximately 12.5mm), but is NOT protected against liquid intrusion of any kind.**

**CUSTOMER SUPPORT** - Contact ELATION Service for any product related service and support needs. Also visit [forums.elationlighting.com](https://forums.elationlighting.com) with questions, comments, or suggestions.

**ELATION SERVICE USA** - Monday - Friday 8:00am to 4:30pm PST  
323-582-3322 | Fax 323-832-9142 | [support@elationlighting.com](mailto:support@elationlighting.com)

**ELATION SERVICE EUROPE** - Monday - Friday 08:30 to 17:00 CET  
+31 45 546 85 63 | Fax +31 45 546 85 96 | [support@elationlighting.eu](mailto:support@elationlighting.eu)

**REPLACEMENT PARTS** please visit [parts.elationlighting.com](https://parts.elationlighting.com)

**THERE ARE NO USER SERVICEABLE PARTS INSIDE THIS UNIT. DO NOT ATTEMPT ANY REPAIRS YOURSELF, AS DOING SO WILL VOID YOUR MANUFACTURER'S WARRANTY. DAMAGES RESULTING FROM MODIFICATIONS TO THIS FIXTURE AND/OR THE DISREGARD OF SAFETY INSTRUCTIONS AND GUIDELINES IN THIS MANUAL VOID THE MANUFACTURER'S WARRANTY AND ARE NOT SUBJECT TO ANY WARRANTY CLAIMS AND/OR REPAIRS.**

**It is strongly recommended to power the fixture down completely when not in use. Doing so will reduce wear on the fixture due to sustained or extended operational periods, thereby maximizing its operational lifespan.**

# LIMITED WARRANTY

- A. Elation Professional hereby warrants, to the original purchaser, Elation Professional products to be free of manufacturing defects in material and workmanship for a period of two years (730 days), and Elation Professional product rechargeable batteries to be free of manufacturing defects in material and workmanship for a period of six months (180 days), from the original date of purchase. This warranty excludes discharge lamps and all product accessories. This warranty shall be valid only if the product is purchased within the United States of America, including possessions and territories. It is the owner's responsibility to establish the date and place of purchase by acceptable evidence, at the time service is sought.
- B. For warranty service, send the product only to the Elation Professional factory. All shipping charges must be pre-paid. If the requested repairs or service (including parts replacement) are within the terms of this warranty, Elation Professional will pay return shipping charges only to a designated point within the United States. If any product is sent, it must be shipped in its original package and packaging material. No accessories should be shipped with the product. If any accessories are shipped with the product, Elation Professional shall have no liability what so ever for loss and/or or damage to any such accessories, nor for the safe return thereof.
- C. This warranty is void if the product serial number and/or labels are altered or removed; if the product is modified in any manner which Elation Professional concludes, after inspection, affects the reliability of the product; if the product has been repaired or serviced by anyone other than the Elation Professional factory unless prior written authorization was issued to purchaser by Elation Professional; if the product is damaged because not properly maintained as set forth in the product instructions, guidelines and/or user manual.
- D. This is not a service contract, and this warranty does not include any maintenance, cleaning or periodic check-up. During the periods as specified above, Elation Professional will replace defective parts at its expense, and will absorb all expenses for warranty service and repair labor by reason of defects in material or workmanship. The sole responsibility of Elation Professional under this warranty shall be limited to the repair of the product, or replacement thereof, including parts, at the sole discretion of Elation Professional. All products covered by this warranty were manufactured after January 1, 1990, and bare identifying marks to that effect.
- E. Elation Professional reserves the right to make changes in design and/or performance improvements upon its products without any obligation to include these changes in any products theretofore manufactured.
- F. No warranty, whether expressed or implied, is given or made with respect to any accessory supplied with the products described above. Except to the extent prohibited by applicable law, all implied warranties made by Elation Professional in connection with this product, including warranties of merchantability or fitness, are limited in duration to the warranty periods set forth above. And no warranties, whether expressed or implied, including warranties of merchantability or fitness, shall apply to this product after said periods have expired. The consumer's and/or dealer's sole remedy shall be such repair or replacement as is expressly provided above; and under no circumstances shall Elation Professional be liable for any loss and/or damage, direct and/or consequential, arising out of the use of, and/or the inability to use, this product.
- G. This warranty is the only written warranty applicable to Elation Professional products and supersedes all prior warranties and written descriptions of warranty terms and conditions heretofore published.

## WARRANTY RETURNS

All returned service items whether under warranty or not, must be freight pre-paid and accompanied by a return authorization (R.A.) number. The R.A. number must be clearly written on the outside of the return package. A brief description of the problem, as well as the R.A. number, must also be written down on a piece of paper and included in the shipping container. If the unit is under warranty, you must provide a copy of your proof of purchase invoice. Items returned without an R.A. number clearly marked on the outside of the package will be refused and returned at customer's expense. You may obtain an R.A. number by contacting customer support.

# SAFETY GUIDELINES

This fixture is a sophisticated piece of electronic equipment. To guarantee smooth operation, it is important to follow all instructions and guidelines in this manual. Elation Professional is not responsible for injury and/or damages resulting from the misuse of this fixture due to the disregard of the information printed in this manual. Only qualified and/or certified personnel should perform installation of this fixture and only the original rigging parts included with this fixture should be used for installation. Any modifications to the fixture and/or the included mounting hardware will void the original manufacturer's warranty and increase the risk of damage and/or personal injury.



**PROTECTION CLASS 1 - FIXTURE MUST BE PROPERLY GROUNDED.**



**THERE ARE NO USER SERVICEABLE PARTS INSIDE THIS UNIT. DO NOT ATTEMPT ANY REPAIRS YOURSELF, AS DOING SO WILL VOID YOUR MANUFACTURER'S WARRANTY. DAMAGES RESULTING FROM MODIFICATIONS TO THIS DEVICE AND/OR THE DISREGARD OF SAFETY INSTRUCTIONS AND GUIDELINES IN THIS MANUAL VOID THE MANUFACTURER'S WARRANTY AND ARE NOT SUBJECT TO ANY WARRANTY CLAIMS AND/OR REPAIRS.**



**DO NOT PLUG THIS UNIT INTO A DIMMER PACK!  
NEVER OPERATE THIS UNIT WITH THE CASING REMOVED!  
DISCONNECT POWER BEFORE PERFORMING MAINTENANCE!  
NEVER TOUCH DURING OPERATION, AS FIXTURE SURFACES MAY BE HOT!  
KEEP FLAMMABLE MATERIALS AWAY FROM FIXTURE!**



**NEVER LOOK DIRECTLY INTO THE LIGHT SOURCE!  
RETINA INJURY RISK - MAY INDUCE BLINDNESS!  
SENSITIVE PERSONS MAY SUFFER AN EPILEPTIC SHOCK!**



**FOR USE IN INDOOR OR DRY LOCATIONS ONLY!  
DO NOT EXPOSE TO RAIN AND/OR MOISTURE!**



**THIS FIXTURE IS IP20 RATED, AND HAS BEEN DESIGNED AND TESTED TO PROTECT AGAINST THE INGRESS OF SOLIDS AS SMALL AS THE SIZE OF AN ADULT FINGER (APPROXIMATELY 12.5MM), BUT IS NOT PROTECTED AGAINST LIQUID INTRUSION OF ANY KIND.**



**MINIMUM DISTANCE TO OBJECTS/SURFACES IS 1.0 FOOT (0.3 METER)  
MINIMUM DISTANCE TO FLAMMABLE MATERIALS IS 1.6 FEET (0.5 METER)  
MAXIMUM AMBIENT OPERATING TEMPERATURE IS 113° F (45° C)**

# SAFETY GUIDELINES

**DO NOT TOUCH** the fixture housing during operation.

**DO NOT** shake fixture, and avoid brute force when installing and/or operating fixture.

**DO NOT** operate fixture if the power cord is frayed, crimped, damaged and/or if any of the power cord connectors are damaged or do not fit into the fixture securely with ease.

**NEVER** force a power cord connector into the fixture. If the power cord or any of its connectors are damaged, replace it immediately with a new one of the same power rating.

**DO NOT** block any air ventilation slots. All fan and air inlets must remain clean and never blocked. Allow approx. 6" (15cm) between fixture and other devices or a wall for proper cooling.

**TURN OFF** the power and allow approximately 15 minutes for the fixture to cool down before servicing.

**ALWAYS** disconnect fixture from power before performing any service and/or cleaning procedure.

**ONLY** handle power cord by the plug end. Never pull plug out by tugging the wire portion of the cord.

During the initial operation of this fixture, a light smoke or smell may emit from the interior of the fixture. This is a normal process and is caused by excess paint in the interior of the casing burning off from the heat associated with the LED and will decrease gradually over time.

Consistent operational breaks will ensure fixture will function properly for many years.

**ONLY** use the original packaging and materials to transport the fixture for service.

# MAINTENANCE GUIDELINES

## **DISCONNECT POWER BEFORE PERFORMING ANY MAINTENANCE!**

### **CLEANING**

Frequent cleaning is recommended to ensure proper function, optimized light output, and an extended life. The frequency of cleaning depends on the environment in which the fixture operates: damp, smoky, or particularly dirty environments can cause greater accumulation of dirt on the fixture's optics. Clean periodically with a soft cloth to avoid dirt/debris accumulation.

**NEVER** use alcohol, solvents, or ammonia-based cleaners.

### **MAINTENANCE**

Regular inspections are recommended to ensure proper function and extended life. There are no user serviceable parts inside this fixture. Please refer all service issues to an authorized Elation service technician. Should you need any spare parts, please order genuine parts from an authorized Elation dealer.

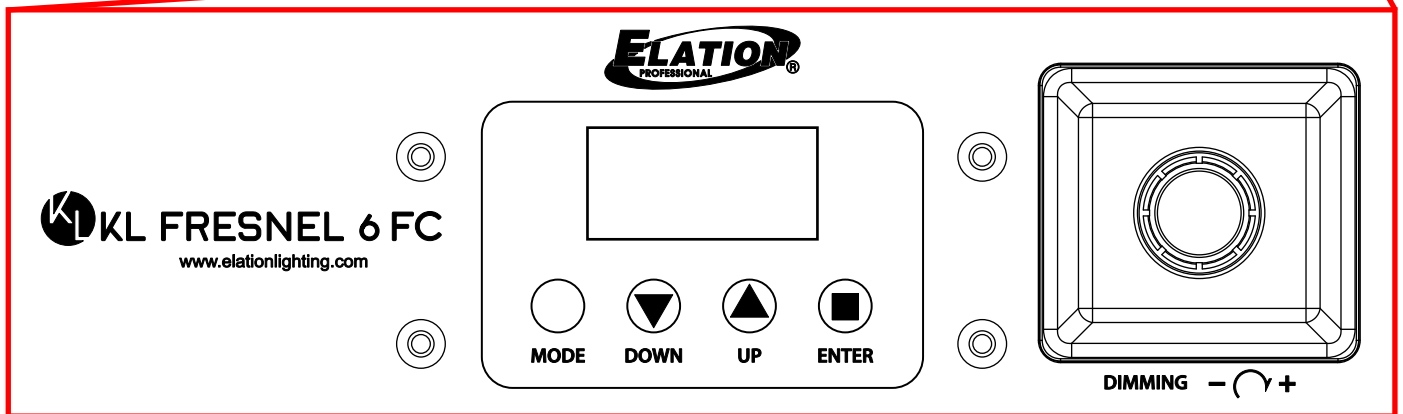
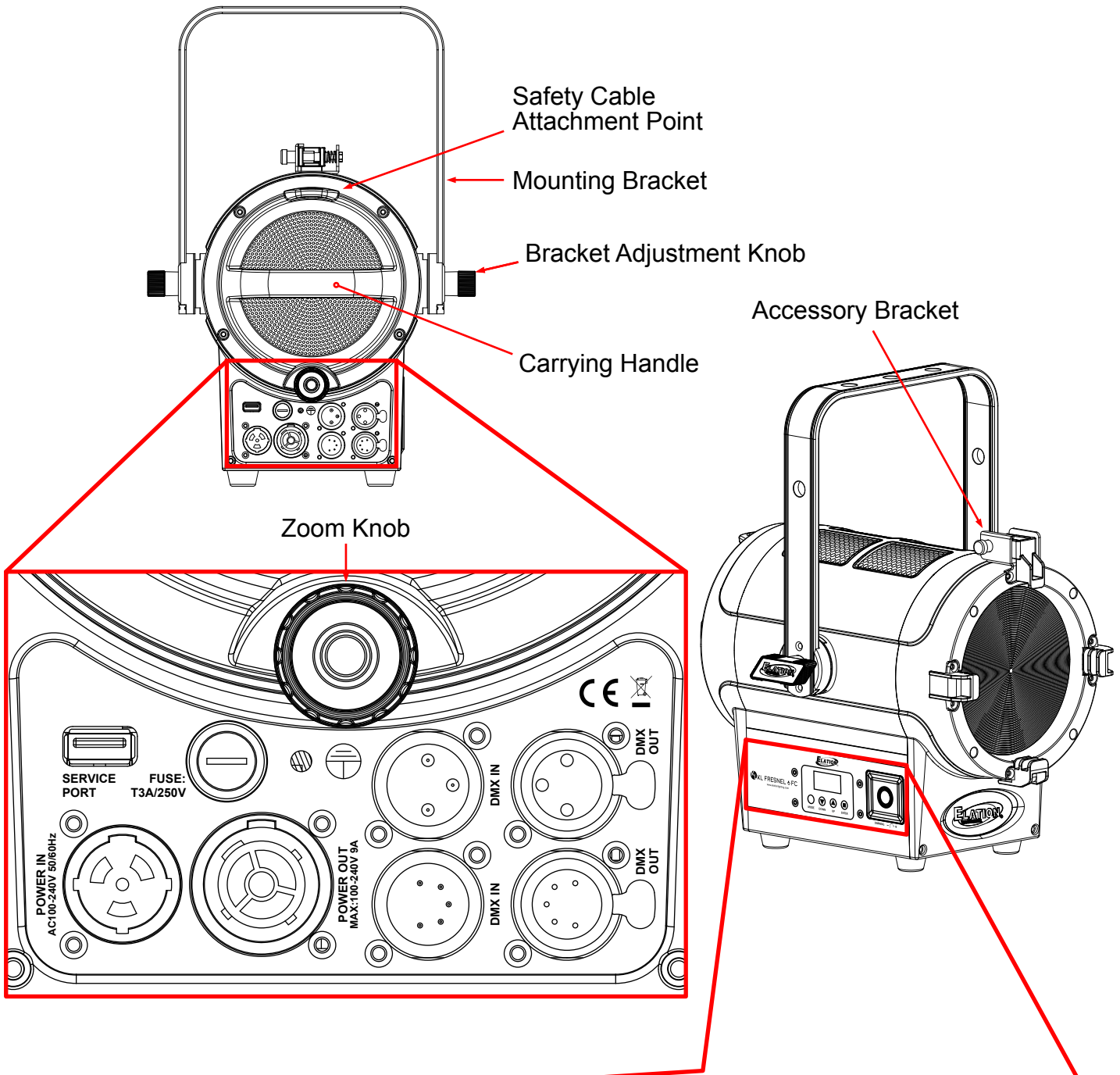
Please refer to the following points during routine inspections:

- A detailed electrical check by an approved electrical engineer every three months, to make sure the circuit contacts are in good condition and prevent overheating.
- Be sure all screws and fasteners are securely tightened at all times. Loose screws may fall out during normal operation, resulting in damage or injury as larger parts could fall.
- Check for any deformations on the housing, color lenses, rigging hardware, and rigging points (ceiling, suspension, trussing). Deformations in the housing could allow for dust to enter into the fixture. Damaged rigging points or unsecured rigging could cause the fixture to fall and seriously injure a person(s).
- Electric power supply cables must not show any damage, material fatigue, or sediments.

**NEVER** remove the ground prong from the power cable.



# OVERVIEW



# INSTALLATION INSTRUCTIONS



## **FLAMMABLE MATERIAL WARNING**

Keep fixture minimum 5.0 feet (1.5m) away from flammable materials and/or pyrotechnics.



## **ELECTRICAL CONNECTIONS**

A qualified electrician should be used for all electrical connections and/or installations.



**MINIMUM DISTANCE TO OBJECTS/SURFACES IS 1 FOOT (0.3 METERS)**

**MINIMUM DISTANCE TO FLAMMABLE MATERIALS IS 1.6 FEET (0.5 METERS)**

**MAXIMUM AMBIENT OPERATING TEMPERATURE IS 113° F (45° C)**



**INDOOR USE ONLY! THIS DEVICE IS NOT INTENDED FOR OUTDOOR USAGE, OR EXPOSURE TO RAIN OR MOISTURE! USE OF THIS DEVICE OUTDOORS VOIDS YOUR MANUFACTURER'S WARRANTY!**



**DO NOT PERFORM THE INSTALLATION YOURSELF IF YOU ARE NOT QUALIFIED TO DO SO!**

Fixture **MUST** be installed following all local, national, and country commercial electrical and construction codes and regulations.

Before rigging/mounting a single fixture or multiple fixtures to any metal truss/structure or placing the fixture(s) on any surface, a professional equipment installer **MUST** be consulted to determine if the metal truss/structure or surface is properly certified to safely hold the combined weight of the fixture(s), clamps, cables, and accessories.

Maximum fixture ambient operating temperature is **113°F (45°C)**. Do not operate this fixture when ambient temperature exceeds this rating.

Overhead rigging requires extensive experience, including calculating working load limits, knowledge of installation material being used, and periodic safety inspection of all installation material and the fixture. If you lack these qualifications, do not attempt the installation yourself. Improper installation can result in bodily injury.

Fixture(s) should be installed in areas outside walking paths, seating areas, or areas where unauthorized personnel might reach the fixture by hand.

**NEVER** stand directly below the fixture(s) when rigging, removing, or servicing.

Overhead fixture installation must always be secured with a secondary safety attachment, such as an appropriately rated safety cable.

Allow approximately 15 minutes for the fixture to cool down before serving.

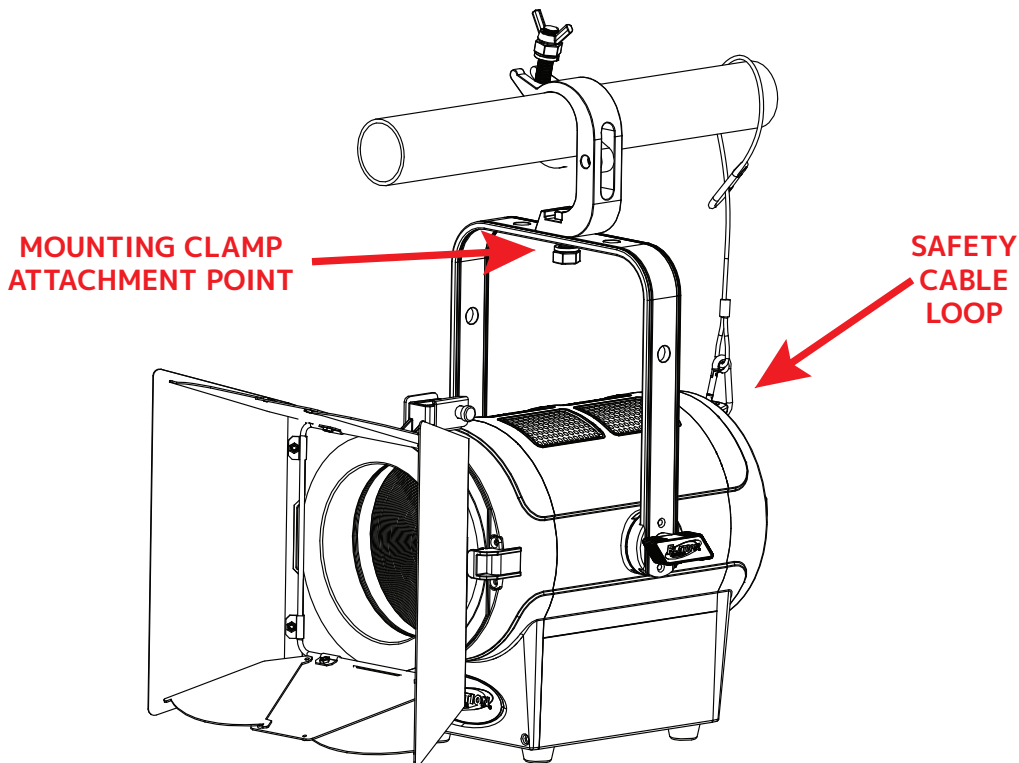
# INSTALLATION

## RIGGING

Overhead rigging requires extensive experience, including calculating working load limits, knowledge of installation material being used, and periodic safety inspection of all installation material and the fixture, among other things. If you lack these qualifications, do not attempt the installation yourself. Improper installation can result in bodily injury.

## CLAMP INSTALLATION

The included yoke bracket features a built-in attachment point for a mounting clamp. The fixture itself also features a safety cable loop, located near the top of the rear panel, as shown in the illustration below. **Please note that the designated safety cable loop is the only safe location to attach a safety cable! Never attach a safety cable to the mounting clamp bracket!**

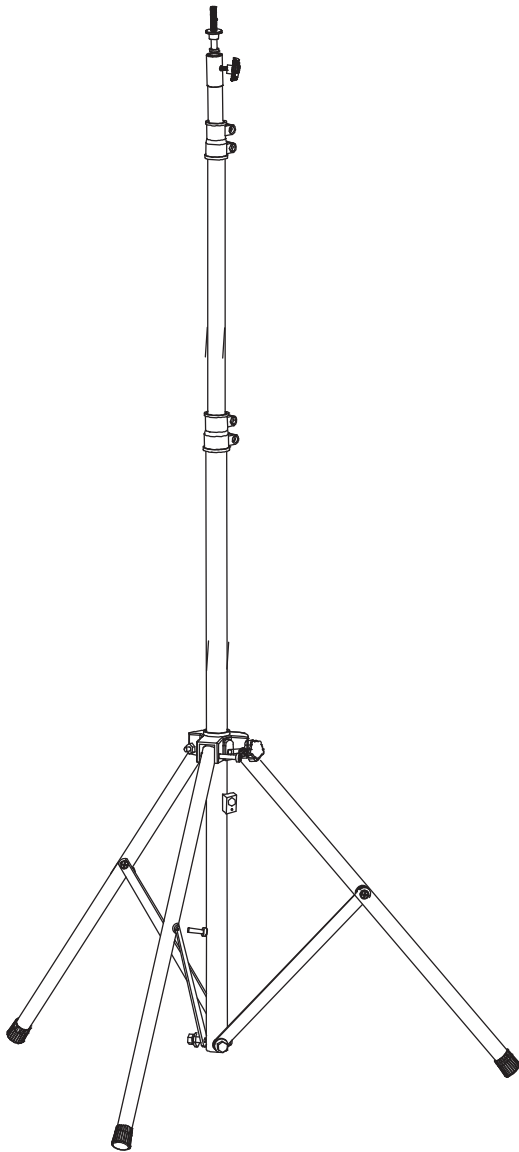
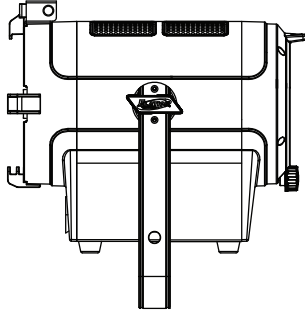


**ALWAYS ATTACH A SAFETY CABLE WHENEVER INSTALLING THIS FIXTURE IN A SUSPENDED ENVIRONMENT TO ENSURE THAT THE FIXTURE WILL NOT FALL IF THE CLAMP FAILS.**

# INSTALLATION

## STAND MOUNTING

This unit can also be installed atop a tripod stand. Simply insert the threaded bolt on the top of the tripod stand through the hole in the top of the mounting yoke. Tighten the nut onto the threaded bolt to secure the mounted device in place.



**CAUTION!**

**MAKE SURE THAT THE TRIPOD LEGS AND ALL TELESCOPING ELEMENTS OF THE TRIPOD STAND ARE LOCKED IN PLACE BEFORE INSTALLING THE DEVICE ATOP THE STAND!**

**POSITION THE TRIPOD STAND AND MOUNTED DEVICE ONLY ON FLAT, STABLE SURFACES!  
DEPLOY TRIPOD LEGS FULLY IN ORDER TO MAXIMIZE STABILITY!**

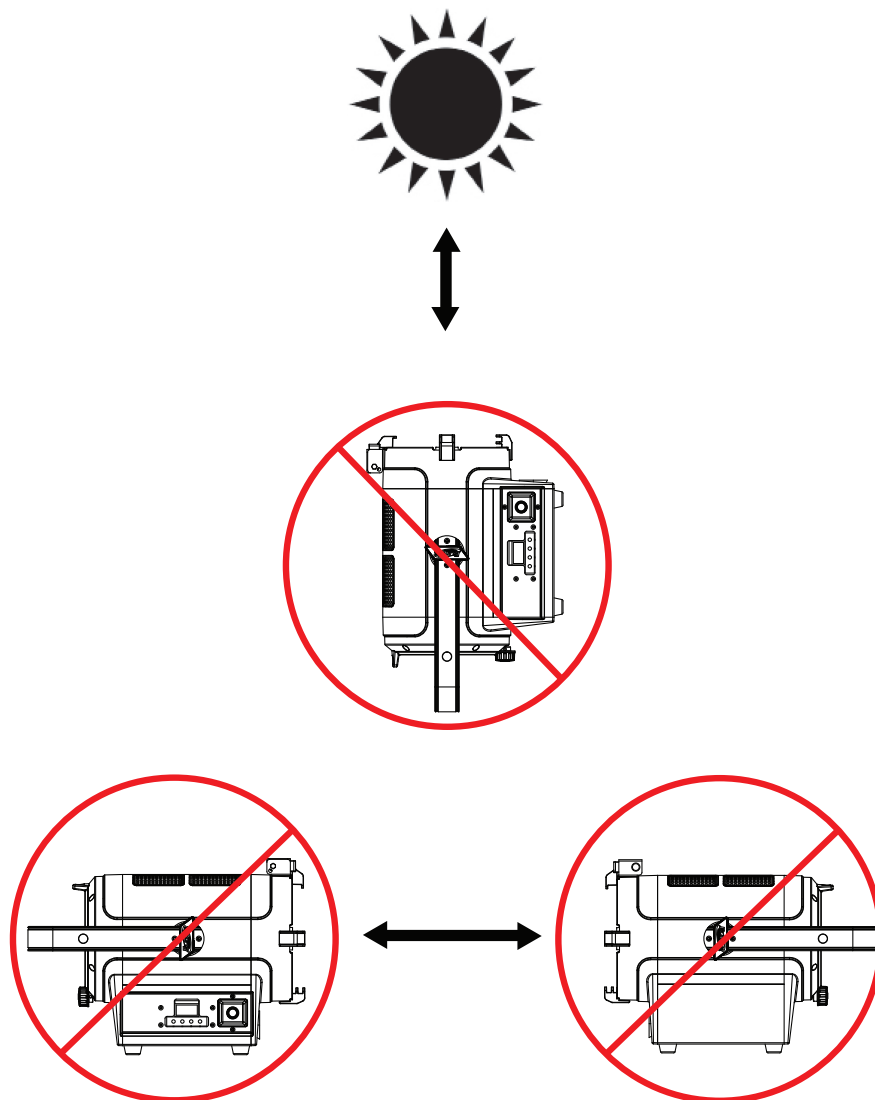
# INSTALLATION

## POTENTIAL INTERNAL FIXTURE DAMAGE FROM EXTERNAL SOURCES OF LIGHT BEAMS

External sources of light beams from direct sunlight, moving head lighting fixtures, and lasers which are focused directly towards the exterior housing and/or penetrate the front lens opening of Elation lighting fixtures can cause severe internal damage, including burning of optics, dichroic color filters, glass and metal gobos, prisms, animation wheels, frost filters, irises, shutters, motors, belts, wiring, discharge lamps, and LEDs.

This issue is not unique to Elation lighting fixtures, but rather it is a common issue with lighting fixtures from all manufacturers. Although there is no true way to completely prevent this issue from occurring, the guidelines below can reduce the risk of any potential damage if followed. Contact Elation Service for more details.

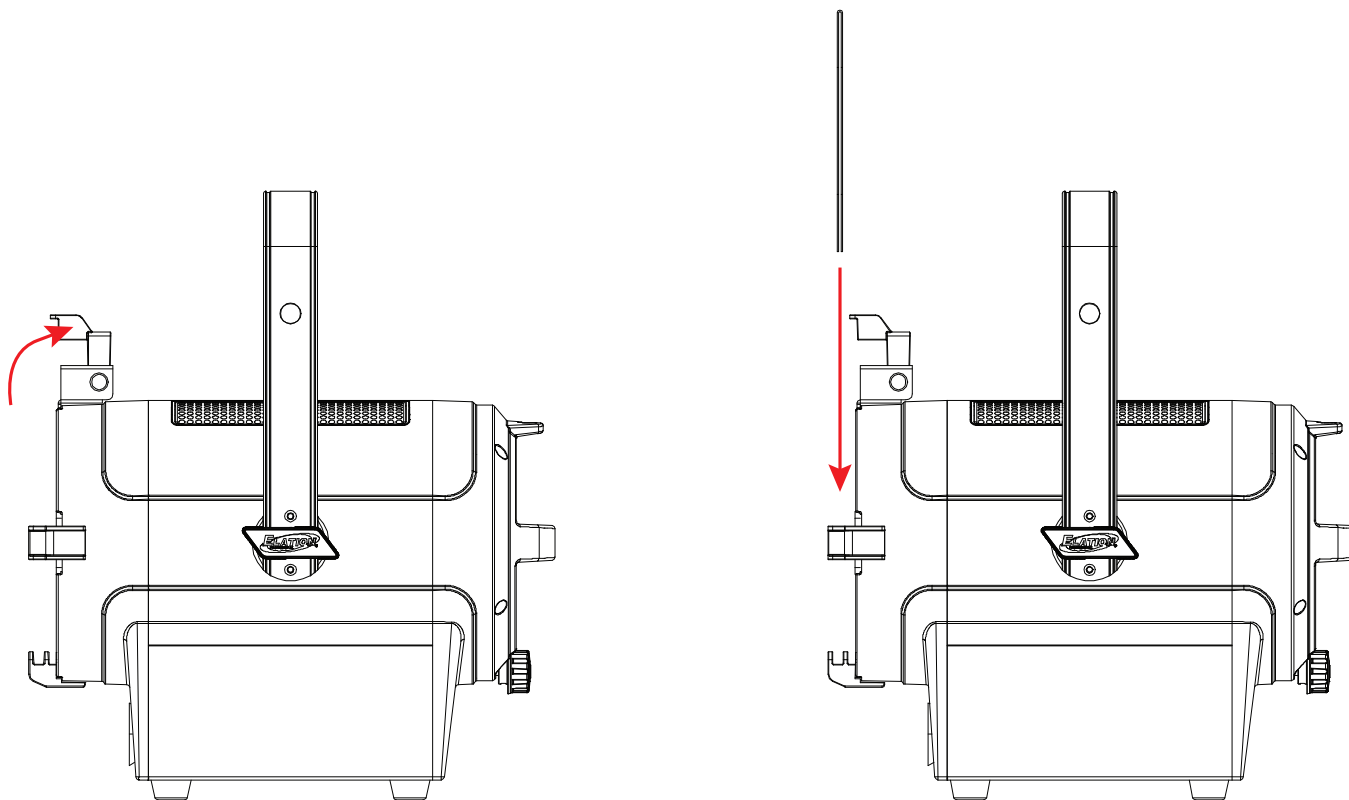
**DO NOT EXPOSE THE FIXTURE AND/OR FRONT LENS OPENING TO LIGHT BEAMS FROM DIRECT SUNLIGHT, OTHER LIGHTING OR MOVING HEAD FIXTURES, AND LASERS DURING UNPACKING, INSTALLATION, USE, AND EXTENDED IDLE TIMES OUTDOORS. DO NOT FOCUS A LIGHT BEAM FROM ONE LIGHTING FIXTURE DIRECTLY TOWARDS ANOTHER.**



# ACCESSORY INSTALLATION

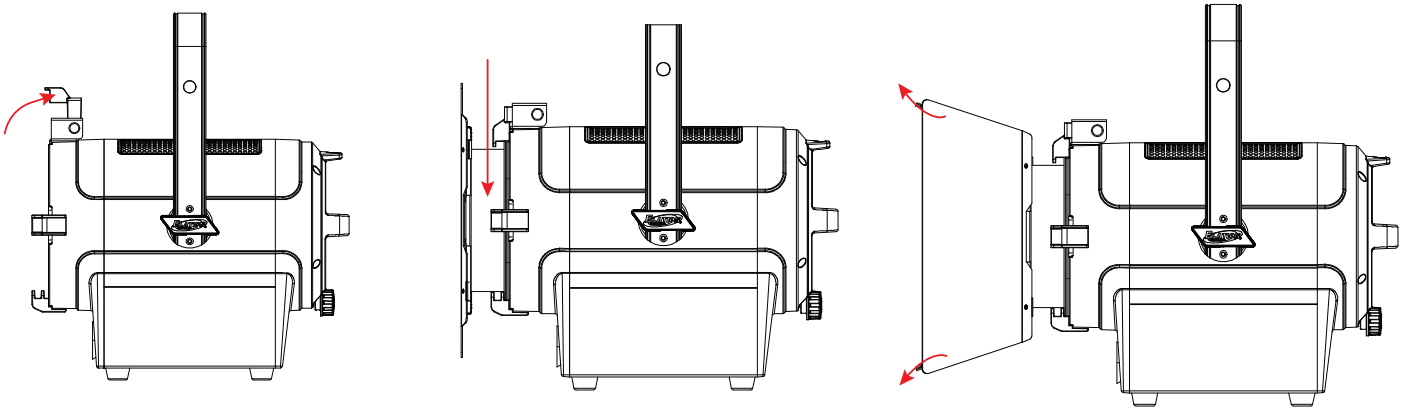
## GEL FILTER

This unit includes a gel filter accessory that can be installed or removed. To install, find the lens frame latch positioned at the top of the lens, press the locking mechanism to unlock the latch, and swing the latch upwards (below left). Then simply slide the gel frame into the lens frame (below right), making sure to use the frame slot that is closest to the lens. Flip the lens frame latch back down to secure the gel frame in place.



# ACCESSORY INSTALATION

This unit includes a barndoor accessory that can be installed or removed. To install, first find the lens frame latch located at the top of the lens frame. Press the locking mechanism to unlock the latch, then swing the latch upwards (below left). Slide the barndoor into an open lens frame slot (below middle). Flip the lens frame latch back down to secure the barndoor in place, then open the barndoor by pulling outward on the panels (below right).



# REMOTE DEVICE MANAGEMENT (RDM)

**NOTE: In order for RDM to work properly, RDM enabled equipment must be used throughout the entire system, including DMX data splitters and wireless systems.**

Remote Device Management (RDM) is a protocol that sits on top of the DMX512 data standard for lighting, allowing the DMX systems of the fixtures to be modified and monitored remotely. This protocol is ideal for instances in which a unit is installed in a location that is not easily accessible.

With RDM, the DMX512 system becomes bi-directional, allowing a compatible RDM enabled controller to send out a signal to devices on the wire, as well as allowing the fixture to respond (known as a GET command). The controller can then use its SET command to modify settings that would typically have to be changed or viewed directly via the unit's display screen, including the DMX Address, DMX Channel Mode, and Temperature Sensors.

**Please be aware that not all RDM devices support all RDM features,** and therefore it is important to check beforehand to ensure that the equipment that you are considering includes all of the features that you require.

The following parameters are accessible in RDM on this device:

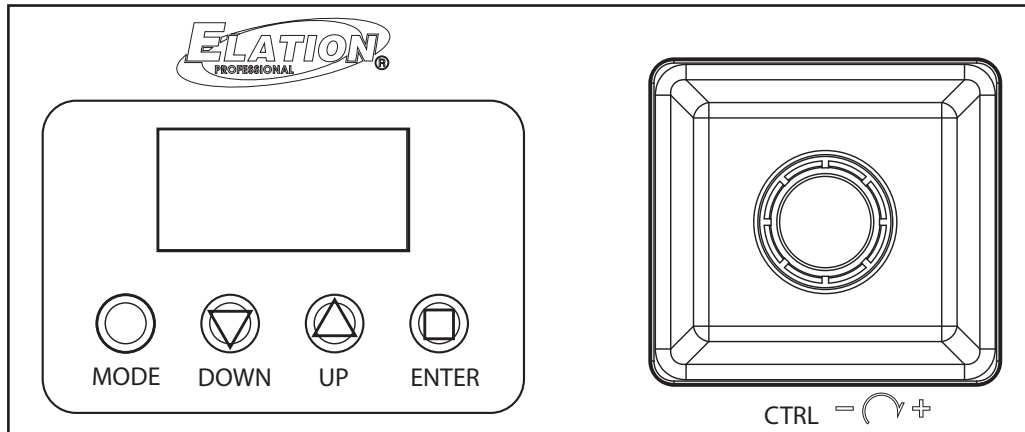
Sensor Definition
Sensor Value
Device Model Description
Manufacturer Label
Device Label
DMX Personality
DMX Personality Description
Device Hours
Display Invert
Factory Default



# SYSTEM MENU

The fixture includes an easy to navigate system menu. The control panel display located on the side of the fixture (illustrated below) provides access to the main system menu where all necessary system adjustments are made to the fixture.

- During normal operation, pressing the MODE button once will access the fixture's main menu.
- Once in the main menu you can navigate through the different functions and access the sub-menus with the DOWN and UP buttons.
- Once you reach a field that requires adjusting, press the ENTER button to activate that field and use the DOWN and UP buttons to adjust the field.
- Pressing the ENTER button once more will confirm the setting.
- Exit the main menu at any time without making any adjustments by pressing the MODE button.



## SCREEN LOCK

The screen will lock after a certain period of inactivity. The length of this time period is configurable in the System Menu, under Personality > Display > Display Screen Lock. To unlock the screen, press and hold the MODE button for 3 seconds.

## WHITE BALANCE

The white balance menu can be accessed by pressing and holding the MODE, DOWN, and UP buttons simultaneously for 3 seconds. Please note that in this mode, the Color menu will be disabled, and the ColorTemp menu adjusts the color temperature white balance.

## CONTROL KNOB

This device features an encoder knob located to the right of the display screen, which is labeled "CTRL." This encoder knob can be used to manually adjust dimming, CCT green shift, color saturation, or manual control. Twisting the knob will scroll through modes and sub-modes, or adjust the value of the select sub-mode, while pressing the button confirms the selection. Please see the **Encoder Knobs** section of this manual for detailed information.



**A USB FLASH DRIVE CAN BE USED TO UPDATE THE FIXTURE TO THE LATEST SOFTWARE.** Using a USB Flash Drive loaded with the latest software, insert it into the USB Service Port, then navigate to PERSONALITY/SERVICE, enter the passcode (050), and select UPDATE SOFTWARE. A copy of the latest software can be obtained by contacting Elation Support.

**AN ELATION C-LOADER II CAN ALSO BE USED TO UPDATE THE FIXTURE TO THE LATEST SOFTWARE.** To order this device, please contact Elation Support for further details..

**ELATION SERVICE USA - Monday - Friday 8:00am to 4:30pm PST  
323-582-3322 | Fax 323-832-9142 | support@elationlighting.com**

**ELATION SERVICE EUROPE - Monday - Friday 08:30 to 17:00 CET  
+31 45 546 85 63 | Fax +31 45 546 85 96 | support@elationlighting.eu**

# SYSTEM MENU

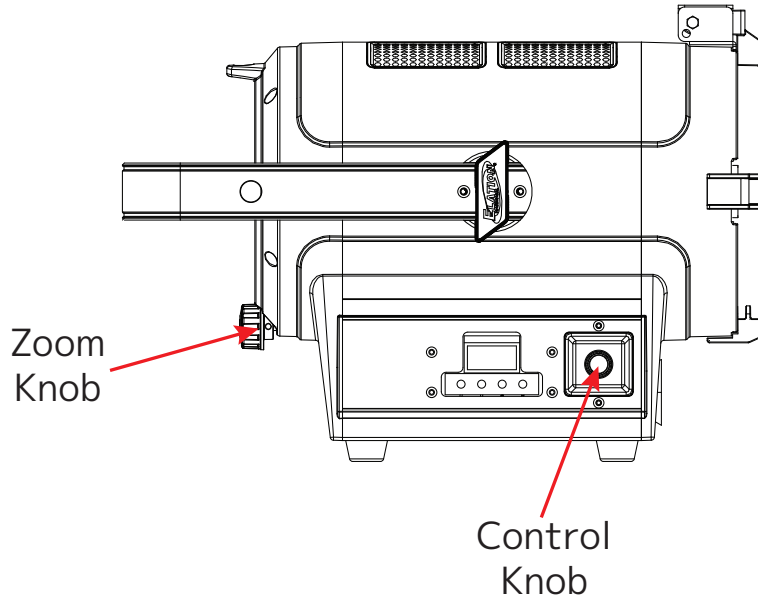
ENCODER MODE	Disabled			
	Dimmer			
	Int CCT Grn			
	Int Color Sat			
	Manual Control			
DMX SETTINGS	DMX Address	001 - 512		
	DMX Mode	<b>1ch Dimmer</b>		
		6ch Dimmer Color		
		11ch Standard		
		18ch Extended		
		9ch CMY		
	14ch CMY Extended			
No DMX Status	<b>Hold Last</b>		Defines reaction to loss or interruption of DMX signal	
	Fade to Black			
	Standalone			
STANDALONE	Dimmer	<b>0%</b> - 100%		
	CCT	2400K - 8500K		
	Green Shift	-100% - 100%		
	Virtual Color	<b>Color01</b> - Color53		
			Default = <b>6000K</b>	
			Default = <b>0%</b>	
			Built in color program, see <b>Virtual Colors</b> section of this manual	
PERSONALITY	Primary	On / <b>Off</b>		
	Secondary	On / <b>Off</b>		
	Dim Mode	<b>Standard</b> , Stage, TV, Architectural, Theatre, Stage 2		
		Dim Speed	0.0s - 10s	
	Dim Curves	<b>Linear</b> , Square, Square Inverse, S-Curve		
	LED Refresh Rate	900-1500Hz, 1200Hz, 2500Hz, 4000Hz, 5000Hz, 6000Hz, 10KHz, 15KHz, 20KHz, 25KHz		
	LED Power Limit	50%, 60%, 70%, 80%, 90%, <b>100%</b>		
	Fan Mode	<b>Auto</b> , Silent, High		
	Display	Screen Delay	10s - 5min	
			Screen Lock <b>Off</b> , 10s - 5min	
		Rotate Display	Yes	
			<b>No</b>	
		Auto	Screen automatically rotates to keep display oriented upright	

# SYSTEM MENU

<b>PERSONALITY</b>	Service	Passcode = 050	Calibration	Red 50-255	
				Green 50-255	
				Blue 50-255	
				...	
			Update Software	Yes / <b>No</b>	
Factory Restore	Yes / <b>No</b>				
			Edit RDM UID	xxxxxx	
<b>INFORMATION</b>	Life Time	xxxxxx h			Total run hours. Not resettable
	Last Run Time	xxxxxx h			Run hours since last reset
	Time Reset	Passcode = 038			Reset run hours
	Temperature	Current		Current temp reading	
		Max Resettable		Max temp since last reset	
		Reset	Passcode = 038		Reset max temp
	DMX Values	R: xxx			
		G: xxx			
		B: xxx			
		...			
Product IDs	RDM UID	xxxxxx			
Error Logs	Fixture Errors (display one by one)				
	Reset Error Log	<b>No</b> / Yes	Passcode = 050		
Software Version	Vx.x.x				

# ENCODER KNOBS

This device features two encoder knobs that enable quick, convenient adjustment of various parameters. Please note that any DMX signal will override the encoder knob inputs. The locations of the two encoder knobs are illustrated below:



**ZOOM KNOB:** Manually adjust the zoom of the fixture in and out.

**CONTROL KNOB:** Manually adjust dimming, CCT green, color saturation, or manual control as described in the table below.

MODE	PARAMETER	DISPLAY	RESOLUTION/STEPS	DEFAULT
Dimmer	Intensity	Intensity 0-100%	1%	0%
Int CCT Grn	Intensity	Intensity 0-100%	1%	0%
	Color Temperature	CCT 2400-8500K	100K	6000K
	Green Shift	GRN -100% to +100%	1%	Neutral
Int Color Sat	Intensity	Intensity 0-100%	1%	0%
	Color	Virtual Color 1-53	Single Color	-
	Saturation	Sat 0-100%	1%	100%
Manual Control	Select Parameter	[Parameter Name] 0 - 100	Intensity	Strobe
			Strobe	
			Red	
			Green	
			Blue	
			Amber	
	Mint			
Dimmer		0-100%	1%	0%

# DMX TRAITS

CHANNEL						DMX VALUES	FUNCTION
1ch Dim.	6ch Dim. Color	11ch St.	18ch Ext.	9ch CMY	14ch CMY Ext.		
1	1	1	1	1	1	000 - 255	<b>Dimmer, 0% to 100%</b>
	2	2	2	2	0	000 - 255	<b>Dimmer Fine</b>
	3	3	3	3	3		<b>Shutter, strobe</b>
						000 - 031	Shutter closed
						032 - 063	No function (shutter open)
						064 - 095	Strobe effect, slow to fast
						096 - 127	No function (shutter open)
						128 - 159	Pulse effect in sequences
						160 - 191	No function (shutter open)
						192 - 223	Random strobe effect, slow to fast
					224 - 255	No function (shutter open)	
				4	4	000 - 255	<b>Cyan, 0% to 100%</b>
					5	000 - 255	<b>Cyan Fine</b>
				5	6	000 - 255	<b>Magenta, 0% to 100%</b>
					7	000 - 255	<b>Magenta Fine</b>
				6	8	000 - 255	<b>Yellow, 0% to 100%</b>
					9	000 - 255	<b>Yellow Fine</b>
		4	4			000 - 255	<b>Red, 0% to 100%</b>
			5			000 - 255	<b>Red Fine</b>
		5	6			000 - 255	<b>Green, 0% to 100%</b>
			7			000 - 255	<b>Green Fine</b>
		6	8			000 - 255	<b>Blue, 0% to 100%</b>
			9			000 - 255	<b>Blue Fine</b>
		7	10			000 - 255	<b>Mint, 0% to 100%</b>
			11			000 - 255	<b>Mint Fine</b>
		8	12			000 - 255	<b>Amber, 0% to 100%</b>
			13			000 - 255	<b>Amber Fine</b>
	4	9	14	7	10		<b>CTO</b>
						000 - 023	Open
						024 - 085	CTO, 2400K - 8500K (see <b>Color Temperature</b> section of this manual)
						086 - 255	8500K

# DMX TRAITS

CHANNEL						DMX VALUES	FUNCTION
1ch Dim.	6ch Dim. Color	11ch St.	18ch Ext.	9ch CMY	14ch CMY Ext.		
5	10	15	8	11		<b>Color Wheel</b>	
					000	Open	
					001 - 179	Virtual Swatch Book (see <b>Virtual Colors</b> section of this manual)	
						<b>Color Scroll</b>	
					180 - 201	Clockwise, fast to slow	
					202 - 207	Stop	
					208 - 229	Counter-clockwise, slow to fast	
					230 - 234	Open	
						<b>Random Slots</b>	
					235 - 239	Fast	
					240 - 244	Medium	
					245 - 249	Slow	
					250 - 255	Open	
16				12		<b>Green Shift</b>	
					000	Idle	
					001 - 127	Full Minus Green to Neutral	
					128	Neutral White	
					129 - 255	Neutral to Full Plus Green	
17				13		<b>Dim Modes</b>	
					000 - 020	Standard	
					021 - 040	Stage	
					041 - 060	TV	
					061 - 080	Architectural	
					081 - 100	Theatre	
					101 - 120	Stage 2	
						<b>Dimmer Delay Time</b>	
					121	0s	
					122	0.1s	
					123	0.2s	
					124	0.3s	
					125	0.4s	
126	0.5s						
127	0.6s						
128	0.7s						

# DMX TRAITS

CHANNEL						DMX VALUES	FUNCTION
1ch Dim.	6ch Dim. Color	11ch St.	18ch Ext.	9ch CMY	14ch CMY Ext.		
			17		13		<b>Dimmer Delay time (continued)</b>
						129	0.8s
						130	0.9s
						131	1.0s
						132	1.5s
						133	2.0s
						134	3.0s
						135	4.0s
						136	5.0s
						137	6.0s
						138	7.0s
						139	8.0s
						140	9.0s
						141	10s
						142 - 255	Idle
							<b>Control</b>
						000 - 029	Idle
						030 - 039	Fan Mode Auto
						040 - 049	Fan Mode Silent
						050 - 059	Fan Mode High
						060 - 099	Idle
							<b>Refresh Rate</b>
						100	900 Hz
						101	910 Hz
						102	920 Hz
						103	930 Hz
						104	940 Hz
						105	950 Hz
						106	960 Hz
						107	970 Hz
						108	980 Hz
						109	990 Hz
						110	1000 Hz
						111	1010 Hz
	6	11	18	9	14		

# DMX TRAITS

CHANNEL						DMX VALUES	FUNCTION
1ch Dim.	6ch Dim. Color	11ch St.	18ch Ext.	9ch CMY	14ch CMY Ext.		
							<b>Refresh Rates (continued)</b>
						112	1020 Hz
						113	1030 Hz
						114	1040 Hz
						115	1050 Hz
						116	1060 Hz
						117	1070 Hz
						118	1080 Hz
						119	1090 Hz
						120	1100 Hz
						121	1110 Hz
						122	1120 Hz
						123	1130 Hz
						124	1140 Hz
						125	1150 Hz
						126	1160 Hz
						127	1170 Hz
						128	1180 Hz
						129	1190 Hz
						130	1200 Hz
						131	1210 Hz
						132	1220 Hz
						133	1230 Hz
						134	1240 Hz
						135	1250 Hz
						136	1260 Hz
						137	1270 Hz
						138	1280 Hz
						139	1290 Hz
						140	1300 Hz
						141	1310 Hz
						142	1320 Hz
						143	1330 Hz
						144	1340 Hz



# DMX TRAITS

CHANNEL						DMX VALUES	FUNCTION
1ch Dim.	6ch Dim. Color	11ch St.	18ch Ext.	9ch CMY	14ch CMY Ext.		
							<b>Refresh Rates (continued)</b>
						145	1350 Hz
						146	1360 Hz
						147	1370 Hz
						148	1380 Hz
						149	1390 Hz
						150	1400 Hz
						151	1410 Hz
						152	1420 Hz
						153	1430 Hz
						154	1440 Hz
						155	1450 Hz
						156	1460 Hz
						157	1470 Hz
						158	1480 Hz
						159	1490 Hz
	6	11	18	9	14	160	1500 Hz
						161	2500 Hz
						162	4000 Hz
						163	5000 Hz
						164	6000 Hz
						165	10,000 Hz
						166	15,000 Hz
						167	20,000 Hz
						168	25,000 Hz
						169 - 200	Idle
							<b>Dimmer Curve</b>
						201 - 210	Linear
						211 - 220	Square
						221 - 230	Inverse Square
						231 - 240	S-Curve
						241 - 255	Idle

# COLOR TEMPERATURE TABLE

DMX VALUE	COLOR TEMP (K)	DMX VALUE	COLOR TEMP (K)
024	2400	055	5500
025	2500	056	5600
026	2600	057	5700
027	2700	058	5800
028	2800	059	5900
029	2900	060	6000
030	3000	061	6100
031	3100	062	6200
032	3200	063	6300
033	3300	064	6400
034	3400	065	6500
035	3500	066	6600
036	3600	067	6700
037	3700	068	6800
038	3800	069	6900
039	3900	070	7000
040	4000	071	7100
041	4100	072	7200
042	4200	073	7300
043	4300	074	7400
044	4400	075	7500
045	4500	076	7600
046	4600	077	7700
047	4700	078	7800
048	4800	079	7900
049	4900	080	8000
050	5000	081	8100
051	5100	082	8200
052	5200	083	8300
053	5300	084	8400
054	5400	085	8500

# VIRTUAL COLORS

VALUE	FILTER#	COLOR	VALUE	FILTER#	COLOR
1	7	Pale Yellow	31	126	Mauve
2	103	Straw	32	49	Medium Purple
3	151	Gold Tint	33	58	Lavender
4	100	Spring Yellow	34	199	Palace Blue
5	10	Medium Yellow	35	119	Dark Blue
6	101	Yellow	36	132	Medium Blue
7	104	Deep Amber	37	120	Deep Blue
8	15	Deep Straw	38	165	Daylight Blue
9	179	Loving Amber	39	161	Slate Blue
10	21	Gold Amber	40	118	Light Blue
11	105	Orange	41	68	Sky Blue
12	158	Deep Orange	42	143	Pale Navy Blue
13	22	Dark Amber	43	131	Marine Blue
14	778	Millennium Gold	44	115	Peacock Blue
15	135	Deep Golden Amber	45	172	Lagoon Blue
16	24	Scarlet	46	116	Medium Blue Green
17	106	Primary Red	47	90	Dark Yellow Green
18	26	Bright Red	48	139	Primary Green
19	27	Medium Red	49	122	Fern Green
20	19	Fire	50	89	Moss Green
21	157	Pink	51	124	Dark Green
22	36	Medium Pink	52	88	Lime Green
23	111	Dark Pink	53	138	Pale Green
24	128	Bright Pink	54-179		No function
25	148	Bright Rose			
26	332	Special Rose Pink			
27	793	Vanity Fair			
28	113	Magenta			
29	46	Dark Magenta			
30	48	Rose Purple			

# SPECIFICATIONS

## SOURCE

220W 6500K RGBMA LED Engine

50,000 Hour Average LED Life\*

\*May vary depending on several factors including but not limited to: Environmental Conditions, Power/Voltage, Usage Patterns (On-Off Cycling), Control and Dimming.

## PHOTOMETRIC DATA

8,000 Total Lumen Output

CRI 92.2

Zoom Range 10° - 32°

Beam Angle 9.7° - 32.2°

Field Angle 18.7° - 49.3°

## EFFECTS

Manual Zoom

Electronic Dimmer and Strobe

Variable 16-bit Dimming Modes and Curves

## COLOR

RGBMA Color Array

CMY Emulation

Variable CCT 2,400K - 8,500K

Green/Magenta Shift

Virtual Gel Swatch Book

## CONTROL / CONNECTIONS

6 DMX Channel Modes (1 to 18 channels)

Manual and DMX Controlled Dimmer, Color and Zoom

Direct Access Encoder

4 Button Control Panel, LED Display

RDM (Remote Device Management)

3/5pin DMX and IP65 Locking Power In/Out Connection

## SIZE / WEIGHT

Length: 13.5" (344mm)

Width: 10.7" (272mm)

Vertical Height: 15.6" (398mm)

Weight: 16.1 lbs. (7.3kg)

## ELECTRICAL / THERMAL

AC 100-240V - 50/60Hz

219W Max Power Consumption

5°F to 113°F (-15°C to 45°C)

BTU/hr (+/- 10%) 687.66

## INCLUDED ITEMS

Gel Frame

Rotating 8-leaf Barn Doors

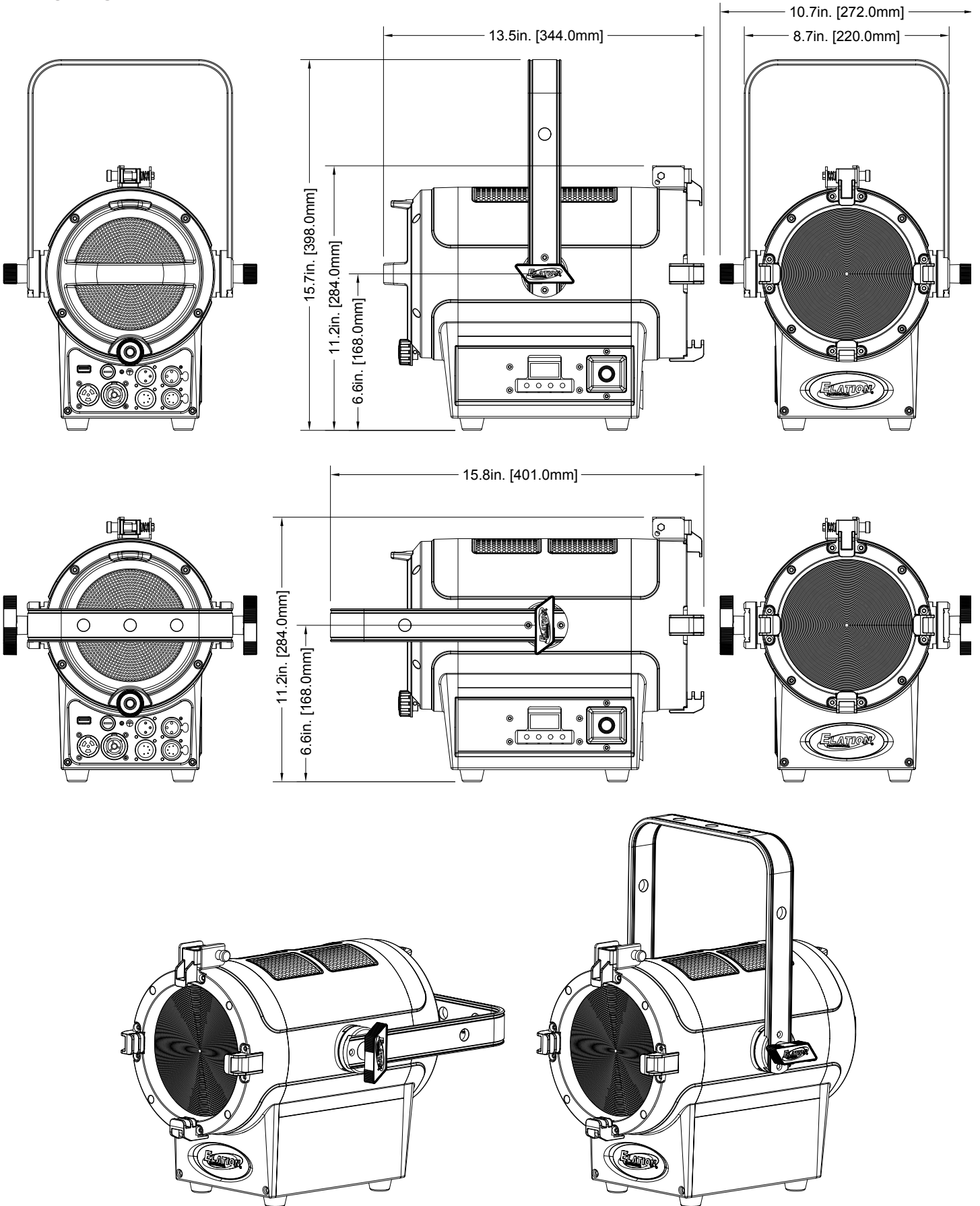
Locking Power Cable

## APPROVALS / RATINGS

(pending) CE | cETLus | IP20

# DIMENSIONAL DRAWINGS

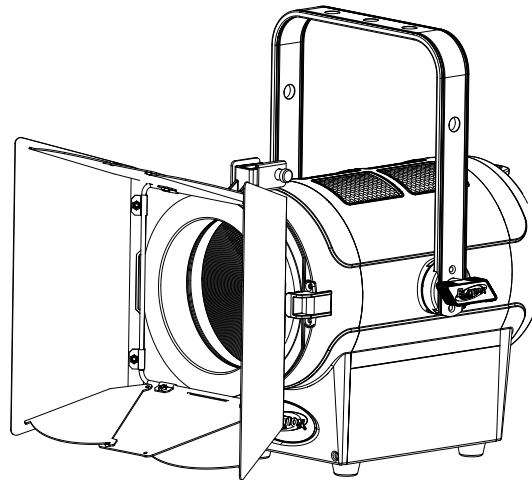
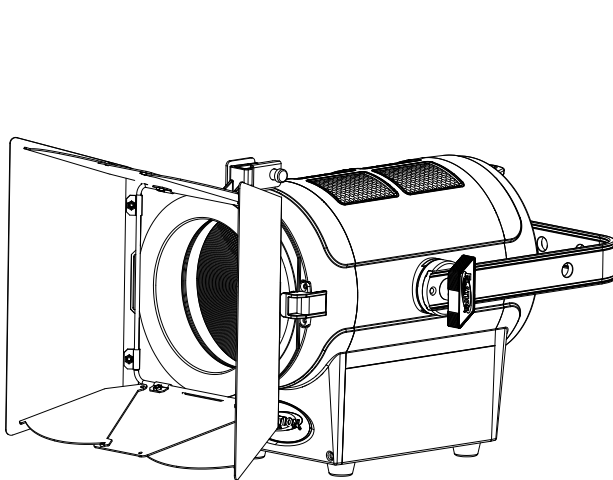
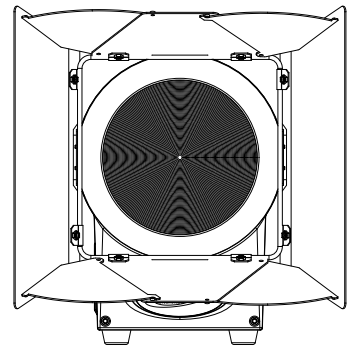
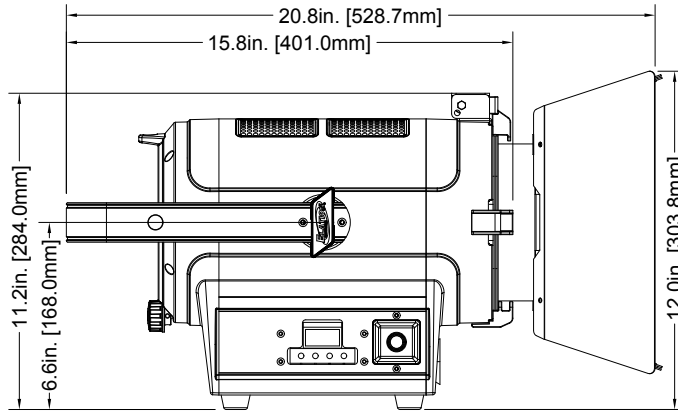
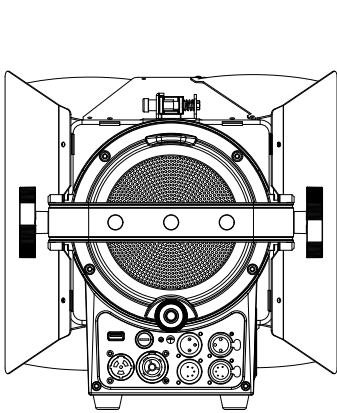
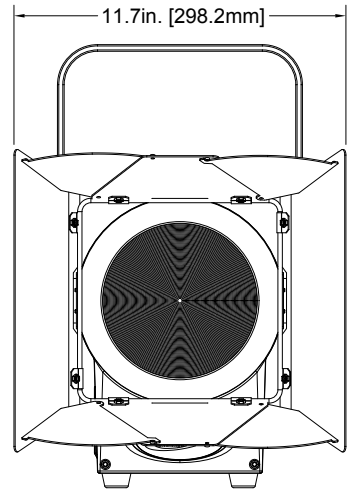
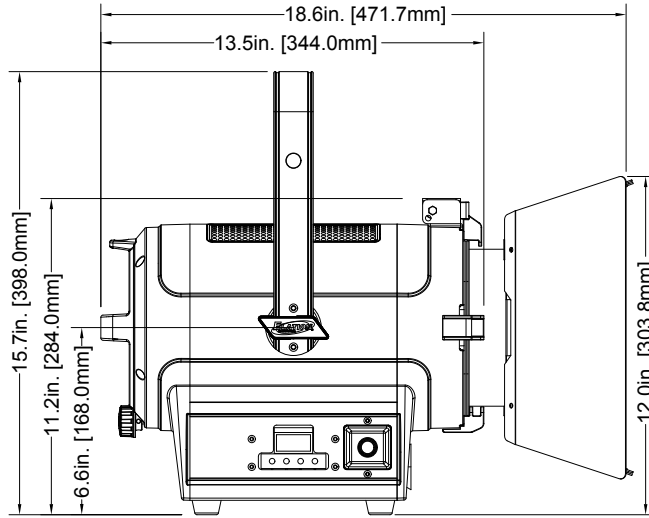
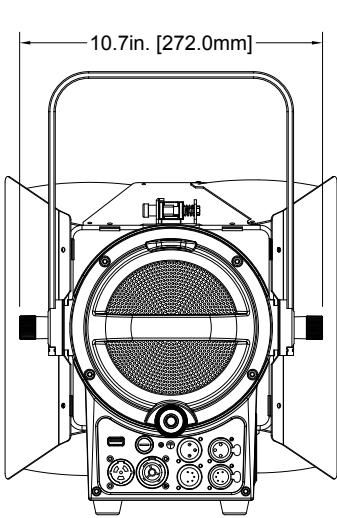
FIXTURE ONLY



Dimensions not drawn to scale.

# DIMENSIONAL DRAWINGS

## FIXTURE WITH BARDOORS ATTACHED



Dimensions not drawn to scale.

