



PROTEUS RAYZOR BLADE S



ELATION®

6x 60W RGBW LED IP65 Linear Wash Effect Fixture with SparkLED Effect, Dual Pixel Strobe Lines, Zoom and Motorized Tilt

DATA SHEET



KEY FEATURES

IP65 Protected LED Tilt FX Fixture

6x 60W OSRAM RGBW LED with Pixel Control 24x 2W

SparkLED™ Effect with Pixel Control Dual 64x1W Strobe

Pixel Line

Extreme Zoom – 6° for mid-air beam to 45° for even washes

Fast and precise 210° Tilt Rotation

The **Proteus Rayzor Blade S™** is a striking visual combination of Linear Wash, high intensity Strobe Lines and SparkLED FX inside a compact IP65 linear fixture design. Envisioned to provide the designer unlimited creative control of powerful colors and high-powered strobe effects from a single unit it allows unlimited placement in any outdoor and indoor environment. Protected from dust and water ingress the **Proteus Rayzor Blade S** is part of Elation's industry leading Proteus Range of outdoor luminaires.

This fixture features Elation's unique patented SparkLED™ system and allows impactful Tilt sweep motions. With its wide zoom range from 6 to 45 degrees it provides intense and well-defined mid-air beams and light curtains at over 6,600 lumens as well as an exceptionally wide and even wash coverage, making it a perfect tool from stage washes, mid-air effects or audience blinders, even in adverse outdoor conditions. SparkLEDs offer a prominent and innovative LED pixel effect with dedicated high brightness pixels inside the large front lenses for additional layers of creativity.

Driven by 6, independently controlled, 60W RGBW LEDs, delivering over 6,000 lumens of output with a total power of 360W, the **Proteus Rayzor Blade S** provides a powerful beam that stands out on any stage. The oversized front lenses create a large visual surface on the fixture that is enhanced by the exclusive patent pending SparkLEDs technology. SparkLEDs consists of individual white LEDs, strategically placed inside the lens itself to create a unique additional layer, allowing designers access to a new and innovative way of creating interest on the stage. Proteus Rayzor fixtures offer this never seen before style of internal lens illumination for depth and visual impact. SparkLEDs are controllable by the lighting console or driven by a multitude of internal FX patterns.

In addition to its powerful wash and SparkLED effects, the **Proteus Rayzor Blade S** provides two seamless high-intensity strobe lines with a total of 128 cool white LED dots. Flanking the Rayzor lenses across the entire length of the fixture these dual strobe arrays offer incredible visual effects with a multitude of integrated FX or precise pixel control from the lighting console.



Specifications are subject to change without notice ©Elation Professional 12/13/2023

Elation Professional USA | 6122 S. Eastern Ave. | Los Angeles, CA. 90040
323-582-3322 | 323-832-9142 fax | www.elationlighting.com | info@elationlighting.com

Elation Professional B.V. | Junostraat 2 | 6468 EW Kerkrade, The Netherlands
+31 45 546 85 66 | +31 45 546 85 96 fax | www.elationlighting.eu | info@elationlighting.eu



PROTEUS RAYZOR BLADE S



6x 60W RGBW LED IP65 Linear Wash Effect Fixture with SparkLED Effect, Dual Pixel Strobe Lines, Zoom and Motorized Tilt

SPECIFICATIONS

SOURCE

(6) 60W Osram RGBW LEDs
(24) 2W White SparkLED™
(128) 1W Strobe LED
50,000 Hour Average LED Life*
*Test lab conditions. May vary depending on several factors including but not limited to: Environmental Conditions, Power/Voltage, Usage Patterns (On-Off Cycling), Control, and Dimming.

PHOTOMETRIC DATA

6,000 Total Lumen Output (RGBW)
CRI 80
Zoom Range 6° - 45°
Color temperature SparkLED 4000K
Color temperature Strobe Line 6500K

EFFECTS

Motorized Zoom
Linear Color Temperature Presets (2700-8000K)
RGBW Color Mixing and Pixel Control
White SparkLED Lens Effect
Dual White Strobe Lines (64 pixels per side)
Color Presets and Macros
Electronic Strobe and Variable Dimming Curves
16-bit Dimming
Tilt Angle: 192°

CONTROL / CONNECTIONS

3 DMX Channel Modes (27/50/106 channels)
Pixel controlled Wash, SparkLED and Strobe LED
DMX Adjustable Refresh Rate (900 -25000 Hz)
(6) Button Touch Panel
Full Color 180° Reversible LCD Menu Display
RDM Support
IP65 5pin XLR DMX In/Out
IP65 RJ45 Ethernet In/Out (Art-Net, sACN)
IP65 Locking Power Cable In

SIZE / WEIGHT

Length: 19.8 in (504mm)
Width (Base): 7.6 in (194mm)
Width (Head): 6.1 in (155mm)
Height (head up): 13.2 in (336mm)
Height (head 90 degree): 11.3in (288mm)
Weight: 39.4 lbs. (17.9kg)

ELECTRICAL / THERMAL

AC 100-240V 50/60Hz
700W Max Power Consumption
Ambient Temperature Range: -4°F to 113°F
(-20°C to 45°C)

APPROVALS / RATINGS

CE | cETLus | IP65



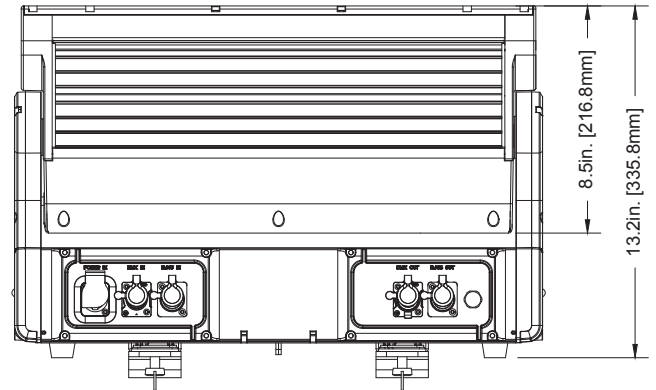
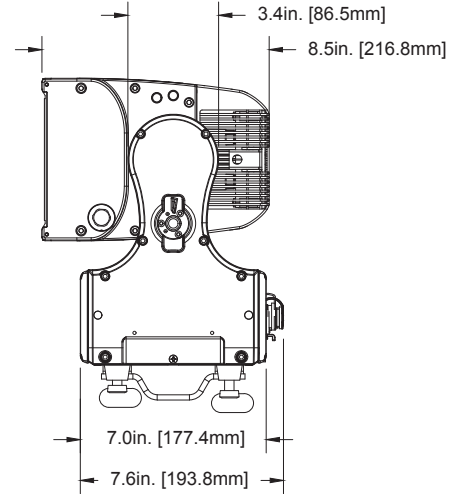
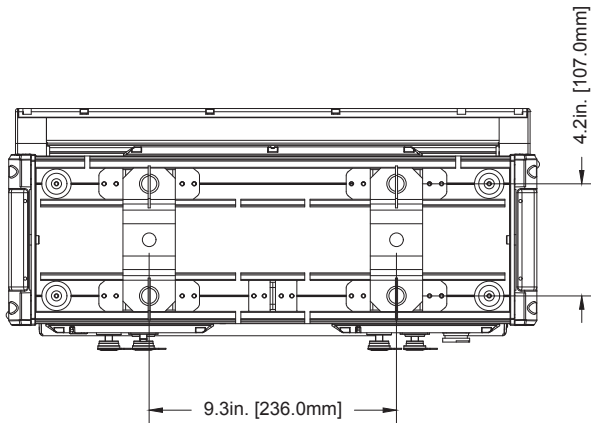
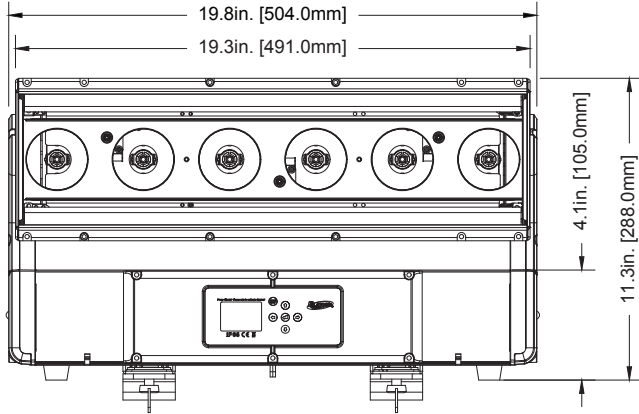


PROTEUS RAYZOR BLADE S



6x 60W RGBW LED IP65 Linear Wash Effect Fixture with SparkLED Effect, Dual Pixel Strobe Lines, Zoom and Motorized Tilt

UNIT DIMENSIONS



ORDERING INFORMATION

US SKU	EU SKU	DESCRIPTION
PRR052	1237000253	Proteus Rayzor Blade S



Specifications are subject to change without notice ©Elation Professional 12/13/2023
 Elation Professional USA | 6122 S. Eastern Ave. | Los Angeles, CA. 90040
 323-582-3322 | 323-832-9142 fax | www.elationlighting.com | info@elationlighting.com

Elation Professional B.V. | Junostraat 2 | 6468 EW Kerkrade, The Netherlands
 +31 45 546 85 66 | +31 45 546 85 96 fax | www.elationlighting.eu | info@elationlighting.eu

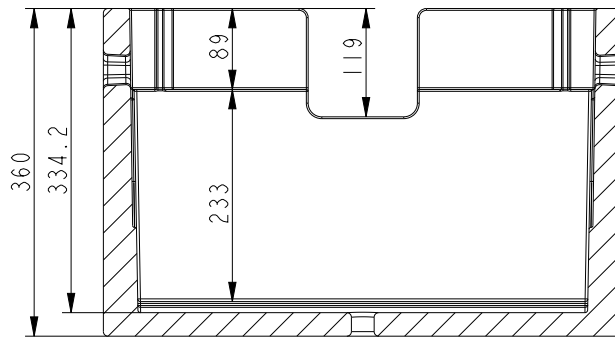
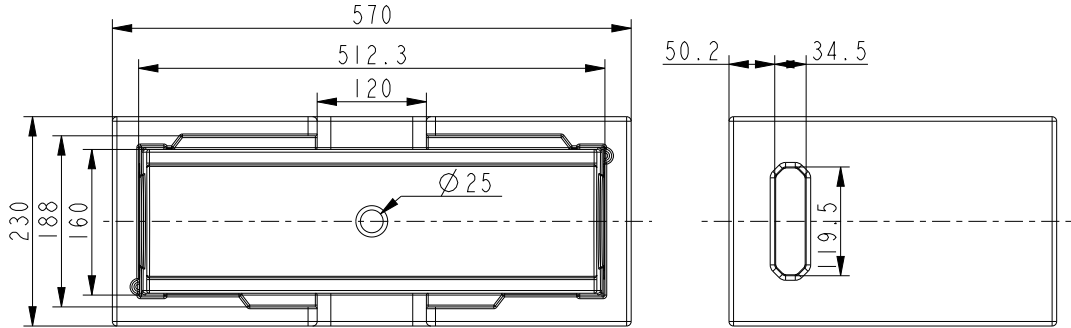


PROTEUS RAYZOR BLADES

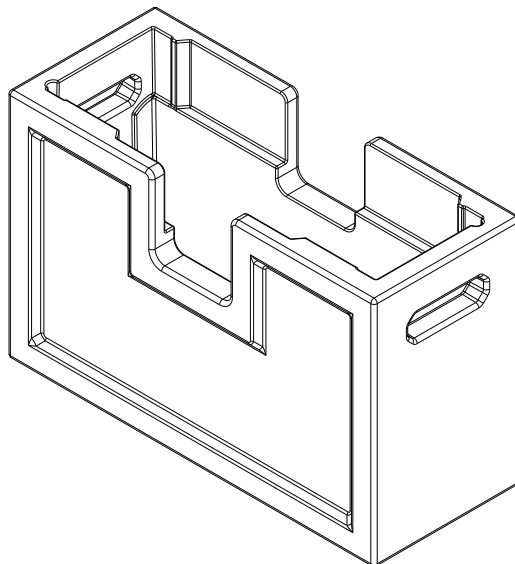


FOAM IN-LAY
DIMENSIONS

6x 60W RGBW LED IP65 Linear Wash Effect Fixture with SparkLED Effect, Dual Pixel Strobe Lines, Zoom and Motorized Tilt



A - A



Specifications are subject to change without notice ©Elation Professional 02/16/2023
Specifications are subject to change without notice ©Elation Professional 12/13/2023

Elation Professional USA | 6122 S. Eastern Ave. | Los Angeles, CA. 90040
323-582-3322 | 323-832-9142 fax | www.elationlighting.com | info@elationlighting.com

Elation Professional B.V. | Junostraat 2 | 6468 EW Kerkrade, The Netherlands
+31 45 546 85 66 | +31 45 546 85 96 fax | www.elationlighting.eu | info@elationlighting.eu