

ELEMENT HEXIP
ELEMENT HEXIP CHROME
User Instructions

©2023 ADJ Products, LLC all rights reserved. Information, specifications, diagrams, images, and instructions herein are subject to change without notice. ADJ Products, LLC logo and identifying product names and numbers herein are trademarks of ADJ Products, LLC. Copyright protection claimed includes all forms and matters of copyrightable materials and information now allowed by statutory or judicial law or hereinafter granted. Product names used in this document may be trademarks or registered trademarks of their respective companies and are hereby acknowledged. All non-ADJ Products, LLC brands and product names are trademarks or registered trademarks of their respective companies.

ADJ Products, LLC and all affiliated companies hereby disclaim any and all liabilities for property, equipment, building, and electrical damages, injuries to any persons, and direct or indirect economic loss associated with the use or reliance of any information contained within this document, and/or as a result of the improper, unsafe, insufficient and negligent assembly, installation, rigging, and operation of this product.

ADJ PRODUCTS LLC World Headquarters

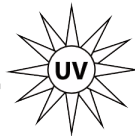
6122 S. Eastern Ave. | Los Angeles, CA 90040 USA
 Tel: 800-322-6337 | Fax: 323-582-2941 | www.adj.com | lsupport@adj.com

ADJ Supply Europe B.V.

Junostraat 2 | 6468 EW Kerkrade | Netherlands
 Tel: +31 45 546 85 00 | Fax: +31 45 546 85 99 | www.americandj.eu | service@americandj.eu



HIGH INTENSITY ULTRAVIOLET LIGHT



AVOID DIRECT EYE & SKIN EXPOSURE.
 WEAR PROPER EYE & SKIN PROTECTION.
 SEE MANUAL FOR SAFETY INSTRUCTIONS.

RISK GROUP 3 - RISK OF EXPOSURE TO ULTRAVIOLET (UV) RADIATION! FIXTURE EMITS HIGH INTENSITY WAVELENGTH OF ULTRAVIOLET LIGHT. WEAR PROPER EYE AND SKIN PROTECTION. DO NOT OPERATE FIXTURE WITH DAMAGED/MISSING EXTERNAL COVER OR PROTECTIVE LENS. DO NOT LOOK DIRECTLY INTO THE (UV) LIGHT AND/OR VIEW (UV) LIGHT DIRECTLY WITH OPTICAL INSTRUMENTS THAT MAY CONCENTRATE THE LIGHT/RADIATION OUTPUT. AVOID PROLONGED PERIODS OF EXPOSURE. AVOID WEARING WHITE COLOR CLOTHING AND/OR USING (UV) PAINTS ON SKIN. AVOID DIRECT EYE AND/OR SKIN EXPOSURE AT DISTANCES SHORTER THAN

11 FEET (3.3 METERS).

INDIVIDUALS SUFFERING FROM A RANGE OF EYE CONDITIONS, SUNLIGHT EXPOSURE DISORDERS, OR INDIVIDUALS USING PHOTOSENSITIVE MEDICATION MAY EXPERIENCE DISCOMFORT IF EXPOSED TO THE ULTRAVIOLET (UV) LIGHT EMITTED FROM THIS FIXTURE.

Europe Energy Saving Notice

Energy Saving Matters (EuP 2009/125/EC)

Saving electric energy is a key to help protecting the environment. Please turn off all electrical products when they are not in use. To avoid power consumption in idle mode, disconnect all electrical equipment from power when not in use. Thank you!

DOCUMENT VERSION



Due to additional product features and/or enhancements, an updated version of this document may be available online.

Please check www.adj.com for the latest revision/update of this manual before beginning installation and/or programming.

Date	Document Version	Software Version	DMX Channels	Notes
09/11/17	1.2	1.01	6/7/8/11/12	ETL Version
11/07/18	1.4	1.06	No Change	Display Lock Remote Functions Updated
12/09/20	1.6	1.08	No Change	Changed nomenclature in System Menu
06/12/23	1.8	N/C	No Change	Update format and remove Airstream

CONTENTS

General Information	4
IP54 Rated	5
Key Features Warranty Returns	6
Limited Warranty (USA Only)	7
Safety Guidelines	8
Overview	10
Wireless Setup	11
UC IR Remote Controls	12
Installation	13
Battery	17
Handling Guidelines	17
Battery Status and Recharging	18
Replacement	19
System Menu	21
Primary-Secondary Setup	27
DMX Setup DMX Addressing	28
DMX Traits	29
IR Default Values Editing RGBA IR Button Values	32
Color Macros	33
White Color Temperature Presets	34
Dimmer Curves and Dimmer Modes	35
Cleaning & Maintenance	36
Torque Settings for Screws	37
Specifications	38

GENERAL INFORMATION

INTRODUCTION

Please read and understand the instructions in this manual carefully and thoroughly before attempting to operate this device. These instructions contain important safety and use information.

This product is intended for use by professionally trained personnel only, and is not suitable for private use.

UNPACKING

Every device has been thoroughly tested and has been shipped in perfect operating condition. Carefully check the shipping carton for damage that may have occurred during shipping. If the carton is damaged, carefully inspect the device for damage, and be sure all accessories necessary to install and operate the device have arrived intact. In the event damage has been found or parts are missing, please contact our customer support team for further instructions. Please do not return this device to your dealer without first contacting customer support. Please do not discard the shipping carton in the trash. Please recycle whenever possible.

INCLUDED ITEMS:

- Charging base (x1)
- Power adapter (x1)
- UC-IR24 remote (x1)

CUSTOMER SUPPORT

Contact ADJ Service for any product related service and support needs. Also visit forums.adj.com with questions, comments or suggestions.

ADJ SERVICE USA - Monday - Friday 8:00am to 4:30pm PST
323-582-2650 | Fax: 323-832-2941 | support@adj.com

ADJ SERVICE EUROPE - Monday - Friday 08:30 to 17:00 CET
+31 45 546 85 60 | Fax: +31 45 546 85 96 | support@adj.eu

REPLACEMENT PARTS please visit parts.adj.com



IMPORTANT NOTICE!

THERE ARE NO USER SERVICEABLE PARTS INSIDE THIS UNIT.

DO NOT ATTEMPT ANY REPAIRS YOURSELF; DOING SO WILL VOID YOUR MANUFACTURER'S WARRANTY. DAMAGES RESULTING FROM MODIFICATIONS TO THIS FIXTURE AND/OR THE DISREGARD OF SAFETY INSTRUCTIONS AND GUIDELINES IN THIS MANUAL VOID THE MANUFACTURER'S WARRANTY AND ARE NOT SUBJECT TO WARRANTY CLAIMS AND/OR REPAIRS.

It is strongly recommended to power the fixture down completely when not in use. Doing so will reduce wear on the fixture due to sustained or extended operational periods, thereby maximizing its operational lifespan.

IP54 RATED

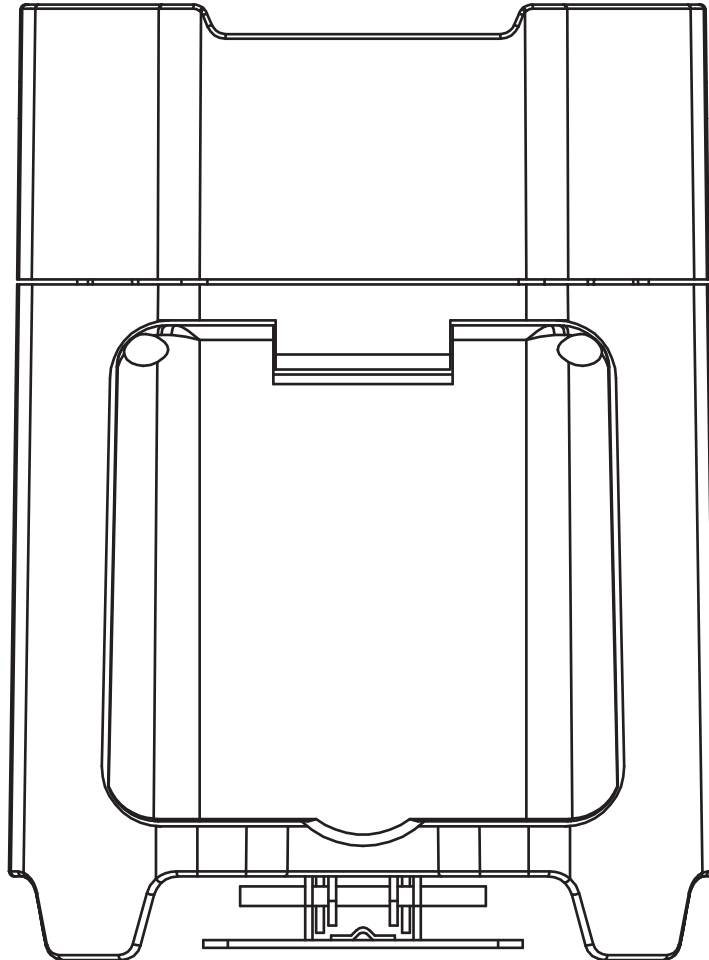
IP54

IP54 RATED NON-PERMANENT TEMPORARY USE OUTDOOR WET LOCATIONS

An IP54 rated lighting fixture is designed with an enclosure that effectively protects ingress (entry) of external foreign objects and water. The **International Protection (IP)** rating system is commonly expressed as “**IP**” (Ingress Protection) followed by two numbers (**i.e. IP54**) where the numbers define the degree of protection. The first digit (Foreign Bodies Protection) indicates the extent of protection against particles entering the fixture, and the second digit (Water Protection) indicates the extent of protection against water entering the fixture. An **IP54** rated lighting fixture is designed to protect against harmful deposits of dust, (the ingress of dust is NOT totally prevented, but cannot enter in an amount sufficient to interfere with satisfactory operation of the fixture) (**5**), and water splashed against the fixture from any direction (**4**), and is intended for temporary (short-term), non-continuous use locations.

****IP54 RATING NOTICE****

TO MAINTAIN THE IP54 RATING INTEGRITY, THE CONTROL PANEL ACCESS DOOR ON THE FIXTURE MUST REMAIN COMPLETELY CLOSED AT ALL TIMES TO PREVENT WATER DAMAGE AND/OR ELECTRICAL SHOCK!



KEY FEATURES

- Battery power
- RGBAW+UV 6-in-1 LEDs
- IP54 rating
- Indoor or outdoor usage

INCLUDED ITEMS:

- Charging base (x1)
- Power adapter (x1)
- UC-IR24 remote (x1)

WARRANTY REGISTRATION

Please fill out the enclosed warranty card to validate your purchase. All returned service items, whether under warranty or not, must be freight pre-paid and accompanied by a return authorization (R.A.) number. The R.A. number must be clearly written on the outside of the return package. A brief description of the problem as well as the R.A. number must also be written down on a piece of paper included in the shipping carton. If the unit is under warranty, you must provide a copy of your proof of purchase invoice. You may obtain an R.A. number by contacting our customer support team on our customer support number. All packages returned to the service department not displaying an R.A. number on the outside of the package will be returned to the shipper.

LIMITED WARRANTY (USA ONLY)

- A. ADJ Products, LLC hereby warrants, to the original purchaser, ADJ Products, LLC products to be free of manufacturing defects in material and workmanship for a prescribed period from the date of purchase (see specific warranty period on reverse). This warranty shall be valid only if the product is purchased within the United States of America, including possessions and territories. It is the owner's responsibility to establish the date and place of purchase by acceptable evidence, at the time service is sought.
- B. For warranty service, you must obtain a Return Authorization number (RA#) before sending back the product-please contact ADJ Products, LLC Service Department at 800-322-6337. Send the product only to the ADJ Products, LLC factory. All shipping charges must be pre-paid. If the requested repairs or service (including parts replacement) are within the terms of this warranty, ADJ Products, LLC will pay return shipping charges only to a designated point within the United States. If the entire instrument is sent, it must be shipped in its original package. No accessories should be shipped with the product. If any accessories are shipped with the product, ADJ Products, LLC shall have no liability whatsoever for loss of or damage to any such accessories, or for the safe return thereof.
- C. This warranty is void if the serial number has been altered or removed; if the product is modified in any manner which ADJ Products, LLC concludes, after inspection, affects the reliability of the product, if the product has been repaired or service by anyone other than ADJ Products, LLC factory unless prior written authorization was issued to purchaser by ADJ Products, LLC; if the product is damaged because not properly maintained as set forth in the instruction manual.
- D. This is not a service contract, and this warranty does not include maintenance, cleaning or periodic check up. During the period specified above, ADJ Products, LLC will replace defective parts at its expense with new or refurbished parts, and will absorb all expenses for warranty service and repair labor by reason of defects in material or workmanship. The sole responsibility of ADJ Products, LLC under this warranty shall be limited to the repair of the product, or replacement thereof, including parts, at the sole discretion of ADJ Products, LLC. All products covered by this warranty were manufactured after August 15, 2012, and bear identifying marks to that effect.
- E. ADJ Products, LLC reserves the right to make changes in design and/or improvements upon its products without any obligation to include these changes in any products theretofore manufactured.
- F. No warranty, whether expressed or implied, is given or made with respect to any accessory supplied with products described above. Except to the extent prohibited by applicable law, all implied warranties made by ADJ Products, LLC in connection with this product, including warranties of merchantability or fitness, are limited in duration to the warranty period set forth above. And no warranties, whether expressed or implied, including warranties of merchantability or fitness, shall apply to this product after said period has expired. The consumer's and/or Dealer's sole remedy shall be such repair or replacement as is expressly provided above; and under no circumstances shall ADJ Products, LLC be liable for any loss or damage, direct or consequential, arising out of the use of, or inability to use, this product.
- G. This warranty is the only written warranty applicable to ADJ Products, LLC Products and supersedes all prior warranties and written descriptions of warranty terms and conditions heretofore published.

LIMITED WARRANTY PERIODS

- **Non L.E.D. Lighting Products = 1-year (365 days) Limited Warranty** (Such as: Special Effect Lighting, Intelligent Lighting, UV lighting, Strobes, Fog Machines, Bubble Machines, Mirror Balls, Par Cans, Trussing, Lighting Stands etc. excluding LED and lamps)
- **Laser Products = 1 Year (365 Days) Limited Warranty** (excludes laser diodes which have 6 month limited warranty)
- **L.E.D. Products = 2-year (730 days) Limited Warranty** (excluding batteries which have a 180 day limited warranty)
Note: 2 Year Warranty only applies to purchases within the United States.
- **StarTec Series = 1 Year Limited Warranty** (excluding batteries which have a 180 day limited warranty)
- **ADJ DMX Controllers = 2 Year (730 Days) Limited Warranty**

SAFETY GUIDELINES

For Your Own Personal Safety, Please Read and Understand This Manual Completely Before You Attempt To Install Or Operate This Unit!

This fixture is a sophisticated piece of electronic equipment. To guarantee smooth operation, it is important to follow all instructions and guidelines in this manual. ADJ Products, LLC is not responsible for injury and/or damages resulting from the misuse of this fixture due to the disregard of the information printed in this manual. Only qualified and/or certified personnel should perform installation of this fixture, and only the original rigging parts included with this fixture should be used for installation. Any modifications to the fixture and/or the included mounting hardware will void the original manufacturer's warranty and increase the risk of damage and/or personal injury.



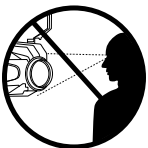
PROTECTION CLASS 1 - FIXTURE MUST BE PROPERLY GROUNDED



THERE ARE NO USER SERVICEABLE PARTS INSIDE THIS UNIT. DO NOT ATTEMPT ANY REPAIRS YOURSELF; DOING SO WILL VOID YOUR MANUFACTURER'S WARRANTY. DAMAGES RESULTING FROM MODIFICATIONS TO THIS FIXTURE AND/OR THE DISREGARD OF SAFETY INSTRUCTIONS AND GUIDELINES IN THIS MANUAL VOID THE MANUFACTURER'S WARRANTY AND ARE NOT SUBJECT TO ANY WARRANTY CLAIMS AND/OR REPAIRS.



**DO NOT PLUG FIXTURE INTO A DIMMER PACK!
NEVER OPEN THIS FIXTURE WHILE IN USE!
UNPLUG POWER BEFORE SERVICING FIXTURE!
MAXIMUM AMBIENT OPERATING TEMPERATURE IS 104°F (40°C)!
NEVER TOUCH FIXTURE WITH BARE HANDS DURING OPERATION, AS SURFACE TEMPERATURE DURING OPERATION MAY REACH 167°F (75°C)!
KEEP FLAMMABLE MATERIALS AWAY FROM FIXTURE!**



**NEVER LOOK DIRECTLY INTO THE LIGHT SOURCE!
RETINA INJURY RISK - MAY INDUCE BLINDNESS!
SENSITIVE PERSONS MAY SUFFER AN EPILEPTIC SHOCK!**



**APPLIES TO LIGHTING FIXTURE ONLY! CHARGING COMPONENTS ARE NOT IP RATED AT ALL!
INGRESS OF DUST INTO FIXTURE IS NOT ENTIRELY PREVENTED, BUT WILL NOT ENTER IN SUFFICIENT QUANTITY TO INTERFERE WITH OPERATION OF DEVICE.
FIXTURE PROTECTED AGAINST WATER SPLASHES FROM ANY DIRECTION.**

SAFETY GUIDELINES

! CAUTION

HIGH INTENSITY ULTRAVIOLET LIGHT



**AVOID DIRECT EYE & SKIN EXPOSURE.
WEAR PROPER EYE & SKIN PROTECTION.
SEE MANUAL FOR SAFETY INSTRUCTIONS.**

- **RISK GROUP 3 - RISK OF EXPOSURE TO ULTRAVIOLET (UV) RADIATION!**
- **FIXTURE EMITS HIGH INTENSITY WAVELENGTH OF ULTRAVIOLET LIGHT.**
- **WEAR PROPER EYE AND SKIN PROTECTION.**
- **DO NOT OPERATE FIXTURE WITH DAMAGED/MISSING EXTERNAL COVER OR PROTECTIVE LENS.**
- **DO NOT LOOK DIRECTLY INTO THE (UV) LIGHT AND/OR VIEW (UV) LIGHT DIRECTLY WITH OPTICAL INSTRUMENTS THAT MAY CONCENTRATE THE LIGHT/RADIATION OUTPUT.**
- **AVOID PROLONGED PERIODS OF EXPOSURE.**
- **AVOID WEARING WHITE COLOR CLOTHING AND/OR USING (UV) PAINTS ON SKIN.**
- **AVOID DIRECT EYE AND/OR SKIN EXPOSURE AT DISTANCES SHORTER THAN 11 FEET (3.3 METERS).**
- **INDIVIDUALS SUFFERING FROM A RANGE OF EYE CONDITIONS, SUNLIGHT EXPOSURE DISORDERS, OR INDIVIDUALS USING PHOTSENSITIVE MEDICATION MAY EXPERIENCE DISCOMFORT IF EXPOSED TO THE ULTRAVIOLET (UV) LIGHT EMITTED FROM THIS FIXTURE.**
- Be sure to save the packing carton in the unlikely event the device has to be returned for service.
- Do not spill water or other liquids into or on to the fixture, charging system, or IR remote.
- Be sure that the voltage of the power source matches the required voltage for the device.
- Do not open up the device for any reason. There are no user serviceable parts inside.
- Disconnect the device's main power when left unused for long periods of time.
- Never connect this device to a dimmer pack.
- Do not attempt to operate this device if it has been damaged in any way.
- Never operate this device with the cover removed.
- To reduce the risk of electrical shock or fire, do not expose the charging system, IR remote, or fixture to rain or moisture.
- Do not attempt to operate this device if the power cord has been frayed or broken.
- Do not attempt to remove or break off the ground prong from the electrical cord. This prong is used to reduce the risk of electrical shock and fire in the event of an internal short.
- Disconnect from main power before making any type of connection.
- Never block the ventilation holes. Always be sure to mount this device in an area that will allow proper ventilation. Allow about 6" (15cm) between this device and a wall.
- The charging system and fixture are intended for indoor use only. Use of these devices outdoors voids all warranties.
- Always mount this unit in a safe and stable matter.
- Please route your power cord out of the way of foot traffic. Power cords should be routed so they are not likely to be walked on, or pinched by items placed upon or against them.

Maximum operating temperature for this fixture is 113 degrees F (45 degrees C). Do not operate this device when ambient temperature exceeds this value!

Keep flammable materials away from this fixture!

CHARGING DEVICES AND FIXTURE ARE DESIGNED FOR INDOOR USE ONLY! DO NOT EXPOSE TO RAIN OR MOISTURE!

The device should be serviced by qualified service personnel when:

- A. The power-supply cord or the plug has been damaged.
- B. Objects have fallen on, or liquid has been spilled into, the device.
- C. The charging devices or fixture have been exposed to rain or water.
- D. The appliance does not appear to operate normally or exhibits a marked change in performance.

OVERVIEW

Battery On/Off Switch: This switch is used to turn **ON** battery power and also turn **ON** the PCB output. See page 22 “Load Setting” to activate.

Kickstand: This kickstand is used to angle the unit to various degrees. There are 3 different degree levels. Note: Be very cautious at the degree in which you angle the unit at, due to the fact that it could fall over.

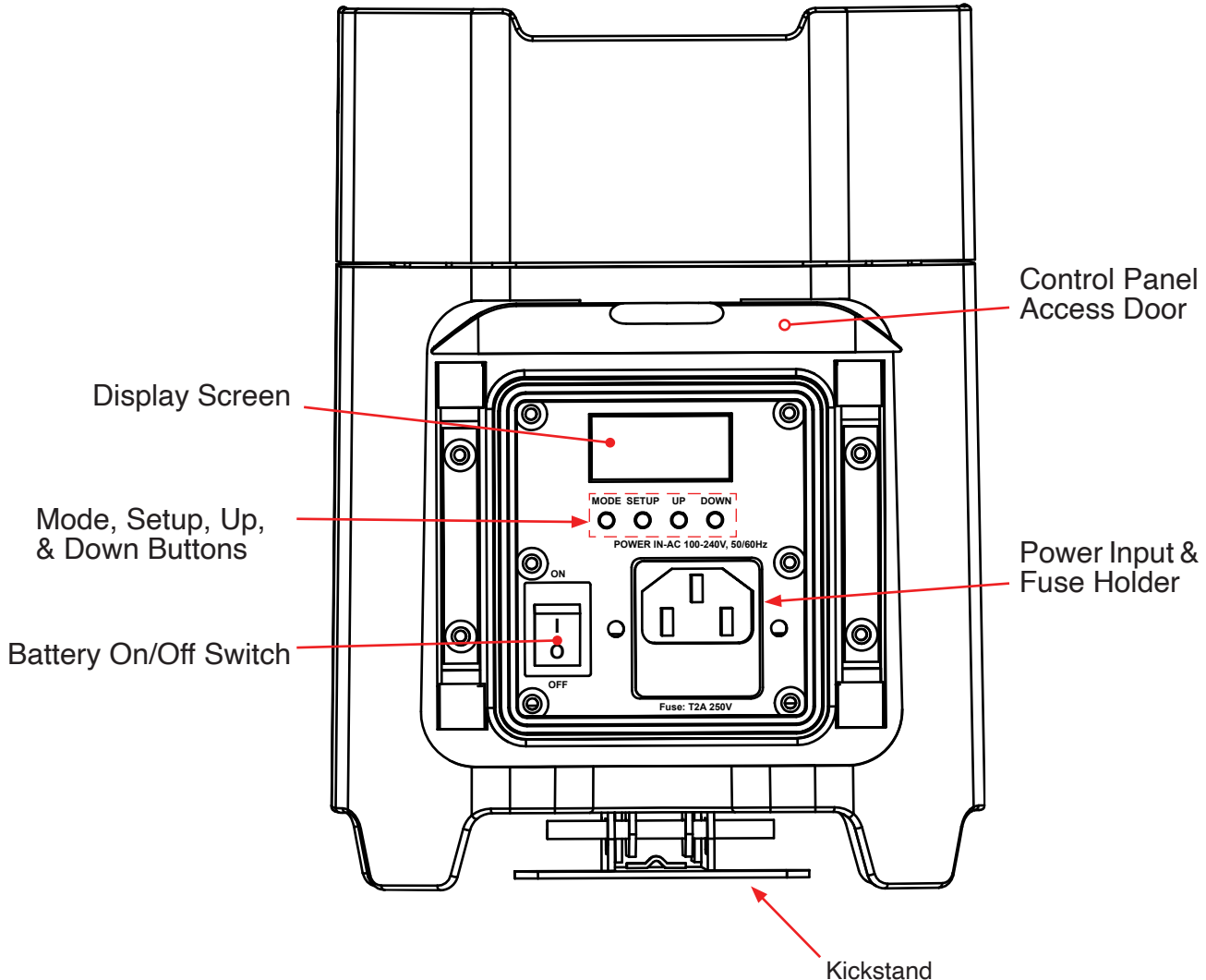
Power Input & Fuse Holder: This input is used to connect the included I.E.C. power cord. After connecting the power cord, plug the other end into a matching power source. Located inside the power socket is the fuse housing. See page 35 for fuse replacement.

Mode Button: This button lets you scroll through the system menu. Setup Button: This button lets you access the submenus.

Up & Down Button: These button’s are used to scroll through submenus and make adjustments in the submenu’s.

Digital Display: This will display the various menus, submenus, and adjustments.

Control Panel Access Door: Lifting this door will allow you to access the controls and functions.



WIRELESS SETUP

This device does not feature physical DMX connector ports. Therefore, in order to utilize DMX control, the user must first setup the device to run wireless DMX control. Follow the directions below to configure wireless DMX control:

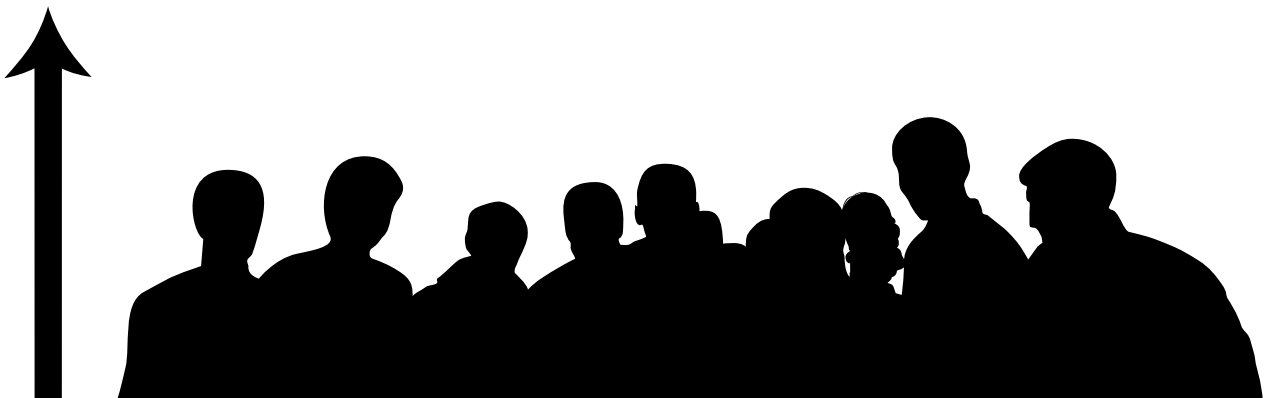
1. First, select the DMX Channel Mode that you would like the device to operate in. Press **MODE** until the the “**DMX Settings**” menu is displayed on the screen. Use the **UP** or **DOWN** buttons to scroll to “**DMX Channel Mode**,” then press the **SETUP** button.
2. Use **UP** or **DOWN** to scroll through the DMX Channel Mode options, then press **SETUP** to con-firm your selection.
3. Next, enable the device’s Wireless capability. Press **MODE** until the “**Personality**” menu is displayed on the screen, then use **UP** or **DOWN** to scroll to “**Wireless Settings**” and press **SETUP**.
4. Use **UP** or **DOWN** to scroll to “**Enable Wireless**,” then press **SETUP** to select this option.
5. Use **UP** or **DOWN** once again to toggle this setting to “**Yes**,” then confirm by pressing **SETUP**.
6. Next, select the Wireless channel. Press **MODE** until the “**Personality**” menu is displayed on the screen again, then use **UP** or **DOWN** to scroll to “**Wireless Settings**” and press **SETUP**.
7. Use **UP** or **DOWN** to scroll to “**Set Wireless Channel**,” then press **SETUP** again.
8. Now use **UP** or **DOWN** to scroll to your desired Wireless channel. Selectable values range from 00 to 14.
9. Finally, set the DMX address. Press the **MODE** button until the “**DMX Settings**” menu is displayed on the screen, then use **UP** or **DOWN** to scroll to “**DMX Address**,” then press **SETUP**.
10. Use the **UP** or **DOWN** buttons to scroll to your desired DMX address, then press **SETUP** to confirm your selection. Available values range from 001 to 512. Refer to the DMX Addressing section of this manual for detailed guidance. Repeat these steps for each individual unit that you wish to use.

There are many factors that can affect and/or interrupt a wireless signal, including walls, glass, metal, objects, and people. Therefore, the following guidelines are recommended in order to maximize the chances of having a clear path for the wireless signal to reach the device:

- Install the device a minimum of 9.8 ft (3m) above audiences and/or ground level.
- Arrange the wireless antenna in an upright, vertical position.
- Position devices in direct line of sight of the transmitting controller.

Careful planning and testing of the selected installation location is critical to ensure optimum and reliable wireless operation.

**9.8 ft (3m)
Above Ground**



UC IR REMOTE CONTROL

The **UC IR** (sold separately) infrared remote gives you control of various functions (See below). To control the fixture you must aim the remote at the front of the fixture and be no more than 30 feet away. To use the ADJ UC IR you must first activate the fixtures infrared sensor, to activate the sensor please see the instructions on page #.

CONTROLS

STAND BY - Pressing this button will blackout the fixture. Press the button again to return to the initial state.

FULL ON - Press this button to fully light up the unit.

FADE/GOBO - This button can activate color change mode, color fade mode, or combination color change and fade mode. Each press of the button will switch through the 3 different modes. Use the numeral buttons 1-9 to select the program number within your desired mode. Use the dimmer buttons to adjust the output intensity. **Note:** Running speed is not adjustable using the IR control functions.

Example: In color change mode (AJXX), press the numeral buttons “1+3” to run color change program “13”. In color fade mode (AFX), press the numeral button “7” to run color fade program “7”. Note: Color change and fade combination mode has only one program.

“DIMMER +” and **“DIMMER -”** - Use these buttons to adjust the output intensity in operating mode.

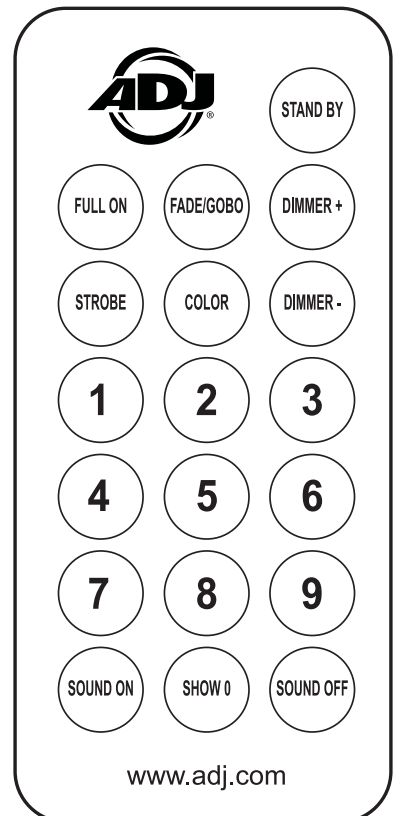
STROBE - Press this button to activate strobing. Use buttons 1-4 to adjust the strobe speed. “1” being the slowest, “4” being the fastest.

COLOR - Press this button to activate color macro mode. Use the numeral buttons 1-9 to select your desired color. Use the dimmer buttons to adjust the output intensity.

Numeral Buttons 1-9 - Use buttons 1-9 to select your desired color in static color mode, or your desired program in color fade mode and color change mode. In static color mode, color fade mode, or color change mode, press the corresponding numeral buttons to select your desired color or program.

SOUND ON & OFF - Use the buttons to activate and deactivate sound active mode.

SHOW 0 - Press this button along with any single numeral button to access a static color, or program within color change mode and color fade mode.



INSTALLATION

IP RATING

The Element HEXIP is **IP54** rated. Ingress of dust is not entirely prevented, but it will not enter in sufficient quantity to interfere with satisfactory operation of the device. The Element HEXIP is also protected against splashing water from any direction. **WHILE SOME DEGREE OF WATER RESISTANCE IS PRESENT, THE ELEMENT HEXIP FIXTURE IS NOT INTENDED FOR OUTDOOR USE. Please note that the charging components are not IP-rated at all, and are intended for use in dry, indoor conditions only.**

FLAMMABLE MATERIAL WARNING!

Keep device a minimum of 5.0 feet (1.5m) away from flammable material and/or pyrotechnics.

ELECTRICAL CONNECTIONS

A qualified electrician should be used for all electrical connections and/or installations.

DO NOT INSTALL THE DEVICE IF YOU ARE NOT QUALIFIED TO DO SO!

The unit **MUST** be installed following all local, national, and country commercial electrical and construction codes and regulations.

Before installing or mounting any device, a professional equipment installer **MUST** be consulted to determine whether the mounting structure or surface is properly certified to safely support the combined weight of the fixture, clamps, cables, and accessories.

Maximum operating temperature **113 degrees F (45 degrees C)**. Do not operate the device if ambient temperatures exceeds this value.

This fixture should be installed away from walking paths, seating areas, and areas where unauthorized personnel might be able to reach the device by hand.

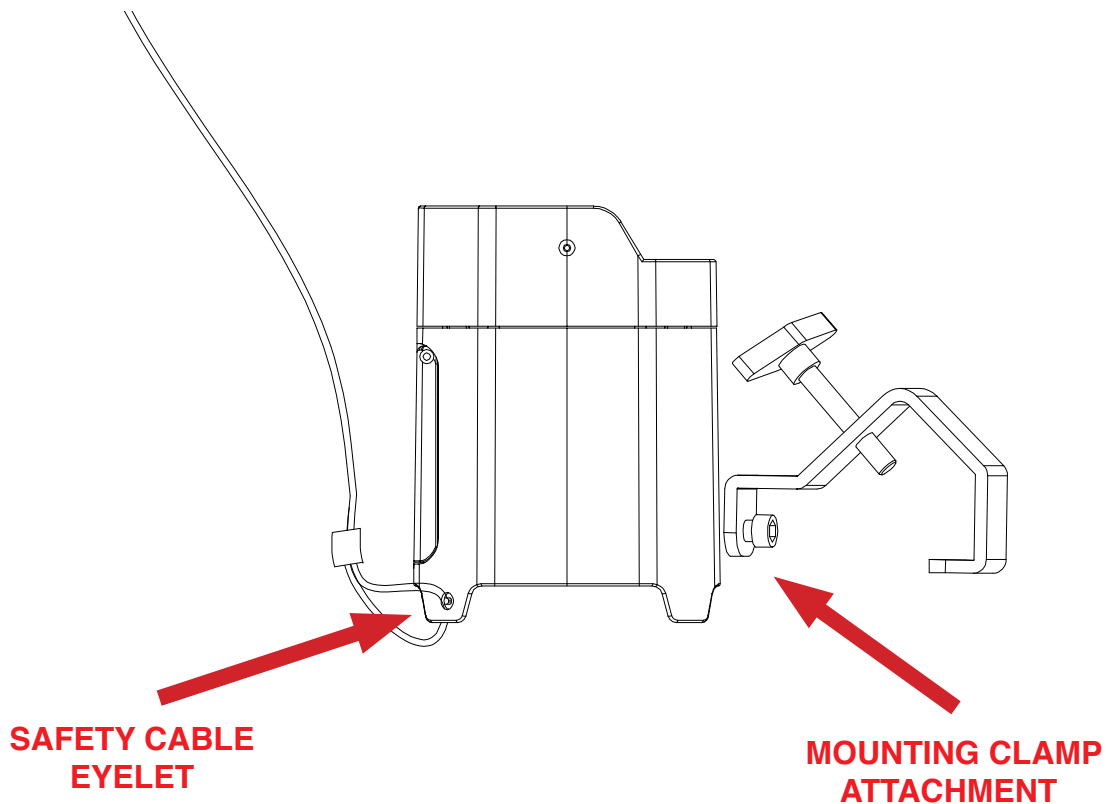
NEVER stand directly below the fixture when rigging, removing, or servicing.

Allow approximately 15 minutes for the fixture to cool down before servicing.

INSTALLATION

CLAMP INSTALLATION

The Element HEXIP features a mounting clamp attachment point on the side of the device, as well as an eyelet for safety cable at the bottom of one foot (see the illustration below). When mounting the fixture to a truss or any other suspended or overhead installation, be sure to secure appropriately rated clamps (not included) to the clamp attachment point, as well as an appropriately rated safety clamp.



**SAFETY CABLE:
ALWAYS ATTACH A SAFETY CABLE WHENEVER INSTALLING THIS FIX-
TURE IN A SUSPENDED ENVIRONMENT TO ENSURE THAT THE FIXTURE
WILL NOT FALL IF THE CLAMP FAILS.**

RIGGING

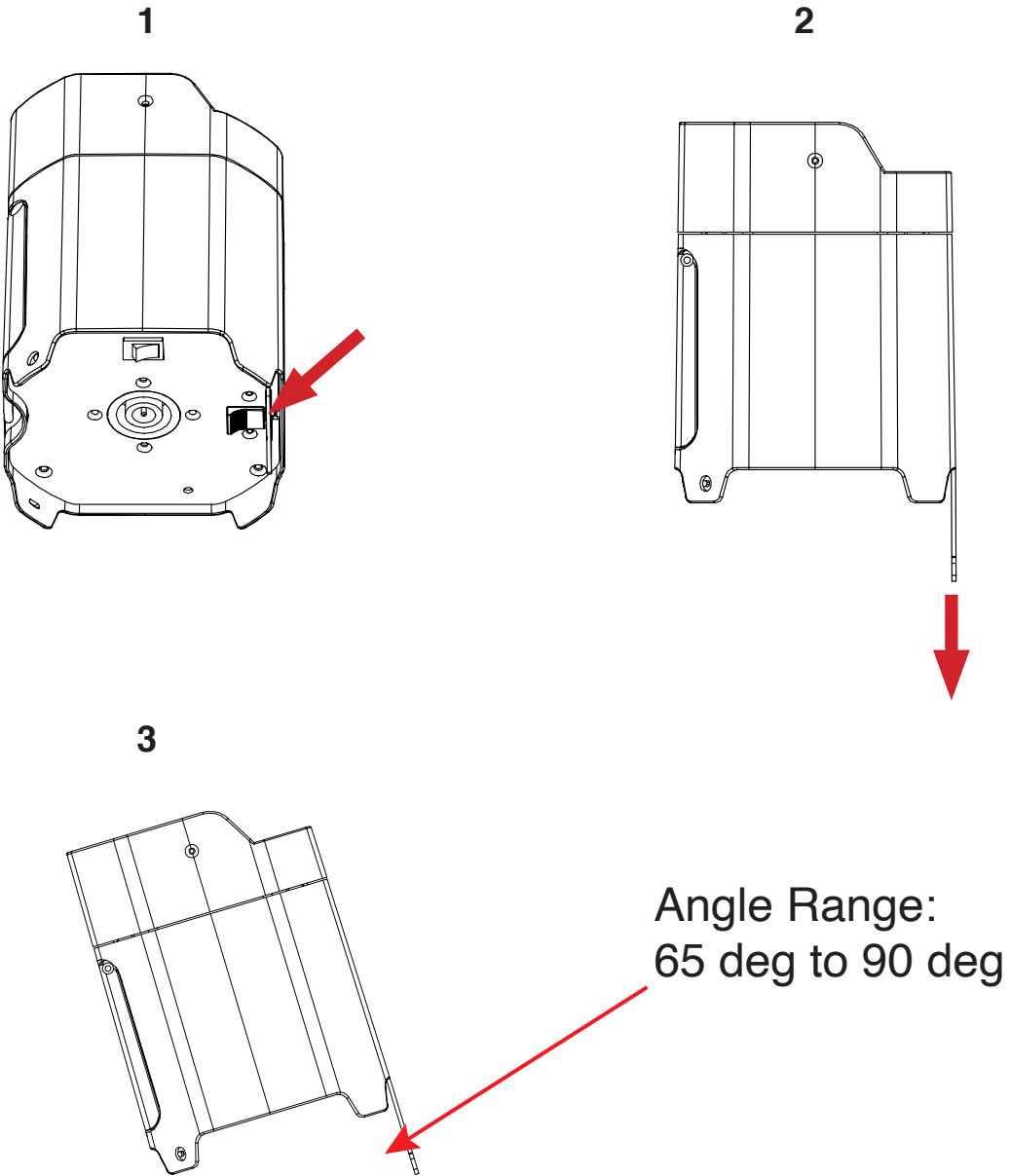
Overhead rigging requires extensive experience, including but not limited to: calculating working load limits, understanding the installation material being used, and periodic safety inspection of all installation material and the fixture itself. If you lack these qualifications, do not attempt to perform the installation yourself. Improper installation can result in bodily injury.

INSTALLATION

KICKSTAND FOR FLOOR PLACEMENT

The Element HEXIP can also be placed on the floor to provide an uplighting display, and features a retractable kickstand that allows the device to be angled in the direction of the desired display.

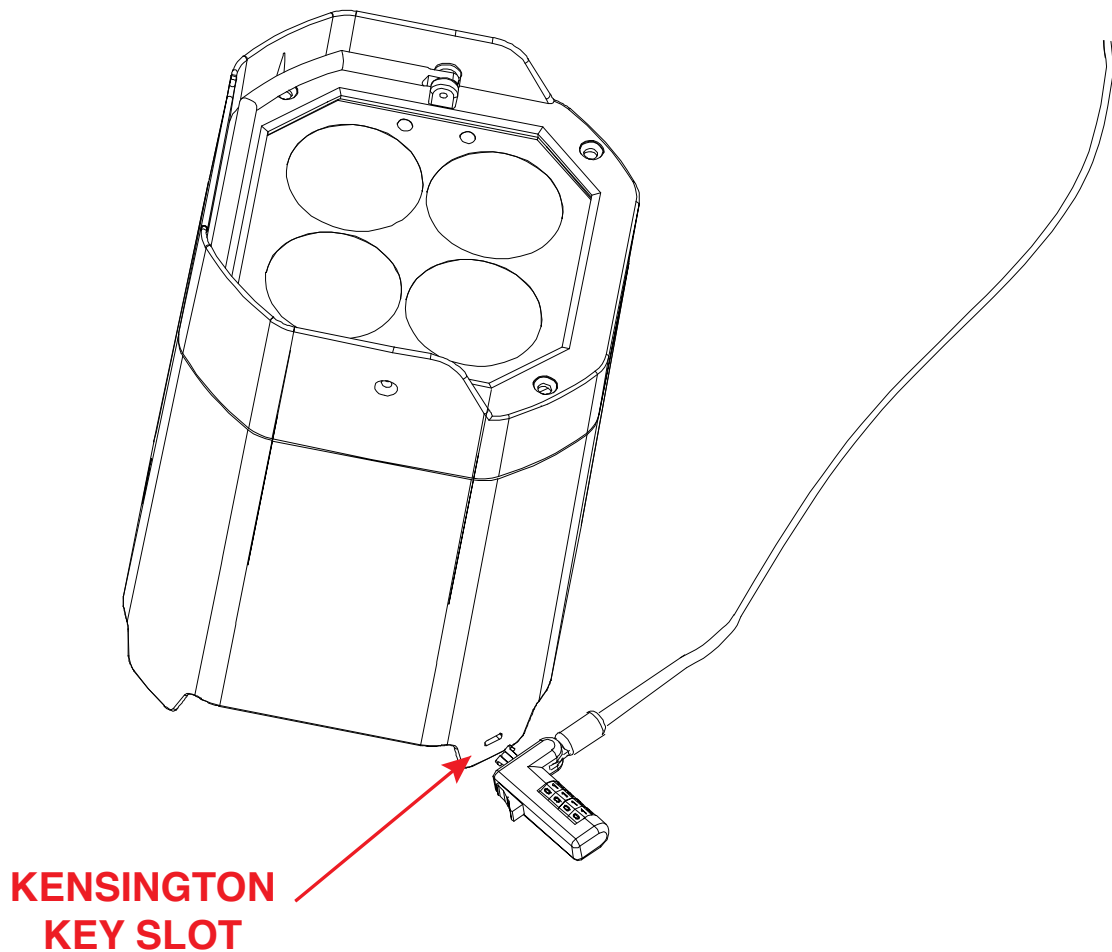
To deploy the kickstand, simply toggle the switch on the underside of the device, near the power charging port (1). The kickstand can then be deployed from the underside (2) at various notched increments, allowing a maximum angle of 65-90 degrees from the vertical axis (3).



INSTALLATION

KENSINGTON KEY SLOT

The device features a slot for a Kensington-type security device that can be used to prevent theft. The key slot is located near the bottom of one of the device's feet, as shown in the illustration below. Be sure to attach the security device to a sturdy, fixed anchor point.



BATTERY: HANDLING GUIDELINES

Avoid short-circuiting the battery. A short circuit can generate high current, causing the battery to overheat. This can lead to leakage of electrolyte gel, emission of harmful fumes, or even explosion. Treat your battery carefully to prevent such issues.

Handle the battery gently to prevent mechanical shock. Actions such as dropping, hitting, or bending can result in failure or a significantly reduced lifespan of the battery.

Never attempt to disassemble the batteries. This can cause an internal short circuit, which might result in fire, explosion, or release of harmful fumes. If the electrolyte gel contacts skin or eyes, immediately rinse the area with fresh water and seek medical attention.

Keep the battery away from heat or fire. Never try to burn or dispose of batteries in fire as this could lead to an explosion.

Avoid exposing the battery to water or other liquids. Submerging or soaking batteries in any type of liquid, such as water, seawater, or beverages, is not advised.

For battery replacement, please contact customer support. They are equipped to safely handle and replace the battery.

Do not use a battery if it shows signs of damage. This can occur during shipping or due to rough handling. Signs of damage include deformations, unusual odors, or leakage of electrolyte gel. If such issues are observed, do not use the battery, and keep it away from fire.

Store the battery properly. It should be kept at room temperature and maintained at a charge of at least 50%. For extended storage, charge the battery every six months to ensure it does not fall below the 30% charge mark, prolonging its lifespan.

Batteries are chemical devices, and their performance will degrade over time. This is true even if they are stored without being used. To maximize the life expectancy of your battery, ensure it is charged properly and kept at the appropriate temperature. If the battery is unable to maintain a charge for extended periods of time, it may be time to replace it.

Dispose of the battery in accordance with local regulations. Improper disposal can be harmful to the environment.

In summary, treating your battery with care, keeping it properly charged, and replacing it when necessary, can help ensure the safety and longevity of your device.

BATTERY: BATTERY STATUS AND RECHARGING

Your device comes with a feature that helps you monitor the battery's condition. To check the life of the battery, plug in the fixture and press the '**MODE**' button. Continue pressing until you see a display that looks like "bXXX." Here, 'XXX' represents the remaining battery life. If you see "b---" instead, it means your device is currently running on AC power.

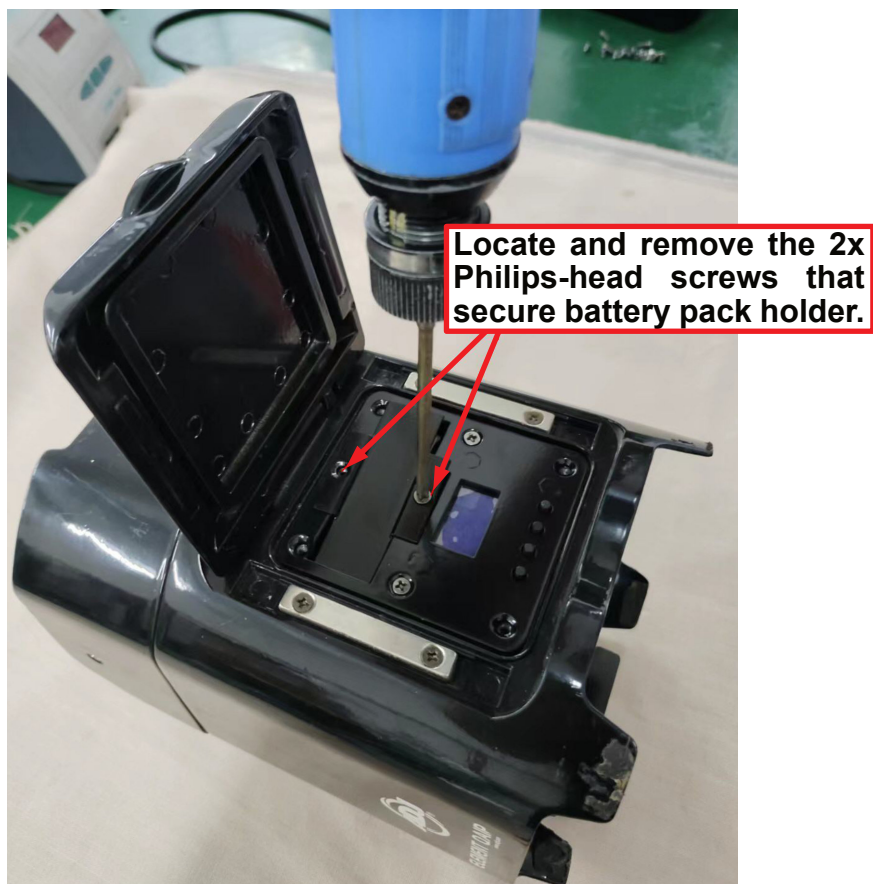
Remember, it is not good for the battery to let it completely run out of power. This can shorten its overall lifespan. You'll get a heads-up when the battery is running low: if it goes below 30%, the battery percentage on the display will start flashing. When the battery power drops to 15%, your device will automatically shut off to save the remaining power. Also, if you're running on battery power and there's no activity for 20 seconds, the display will shift back to showing the battery life.

When it's time to recharge the battery, you'll need to plug the provided I.E.C. cord into the matching I.E.C. input on the side of the device. The other end of the cord goes into a suitable power supply. Keep the power off while charging; it should take about 4 hours to fully charge the battery. Once it reaches 100%, the display will stop flashing.

Keep in mind, if you unplug the device from charging and switch to battery power, there might be a small drop in charge. This is normal.

For a faster recharge, you can adjust the settings of the device. Simply switch the '**Load Setting**' to '**Off**', and make sure the battery is turned '**On**'. This way, more power is directed to recharging the battery.

BATTERY: REPLACEMENT

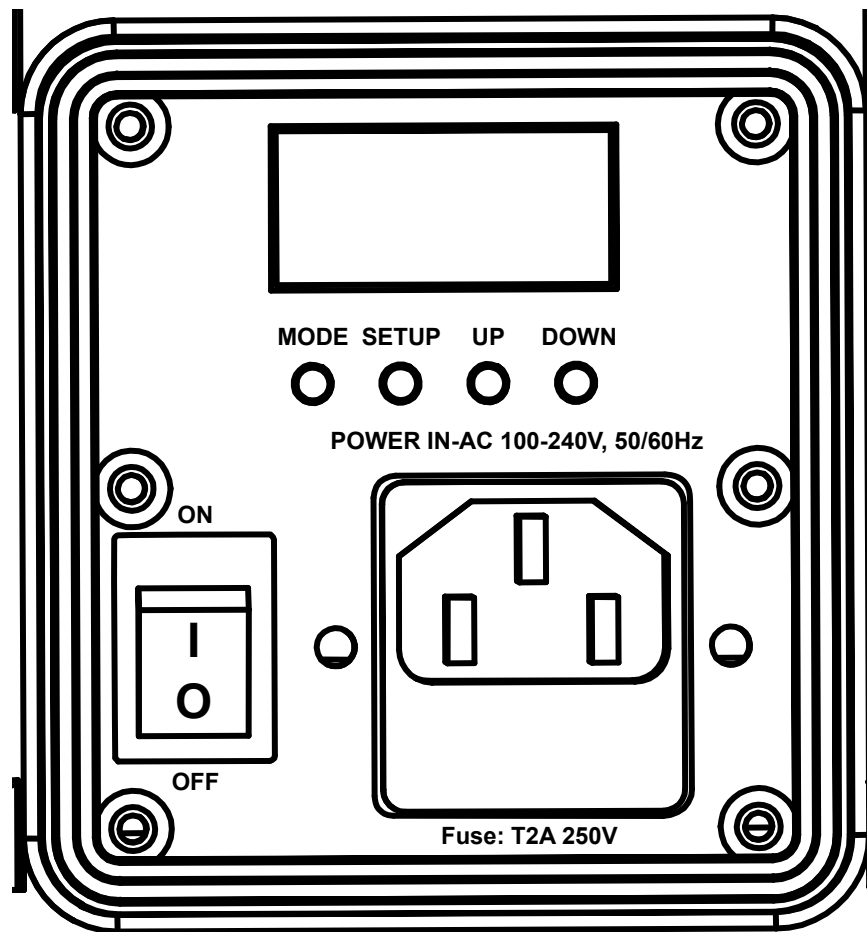


BATTERY: REPLACEMENT



SYSTEM MENU

This fixture includes an easy to navigate control panel display, from which all necessary settings and adjustments can be made. Press the **MODE** button to scroll through the main menu options, then press **ENTER** to select the currently displayed option. Then use the **UP** and **DOWN** buttons to scroll through the sub-menu options until reaching the desired setting. Press the **MODE** button at any time to return to the main menu without making any adjustments.



SYSTEM MENU

MENU	SUBMENU	OPTIONS	FUNCTIONS
DMX MODE	Address	<i>d00 1-d5 12</i>	DMX Address Setting
	Channels	<i>Ch06</i>	6 DMX Channel Mode
		<i>Ch07</i>	7 DMX Channel Mode
		<i>Ch08</i>	8 DMX Channel Mode
		<i>Ch 11</i>	11 DMX Channel Mode
		<i>Ch 12</i>	12 DMX Channel Mode
	No DMX mode	<i>blAc</i>	When the DMX signal is lost or interrupted, the unit will go into BLACKOUT mode.
<i>LRSt</i>		When the DMX signal is lost or interrupted, the unit will hold at the LAST DMX setting.	
<i>Prog</i>		When the DMX signal is lost or interrupted, the unit will run an auto program.	
Delay mode	<i>dr-0-dr-4</i>	Select the unit delay mode	
SECONDARY	Secondary Setting	<i>SEcd</i>	Designate the unit as a secondary unit in a primary-secondary setup.
DIMMER MODE	Red Dimmer	<i>r.000-r.255</i>	Adjust the intensity of the red color.
	Green Dimmer	<i>G.000-G.255</i>	Adjust the intensity of the green color.
	Blue Dimmer	<i>b.000-b.255</i>	Adjust the intensity of the blue color.
	White Dimmer	<i>U.000-U.255</i>	Adjust the intensity of the white color.
	Amber Dimmer	<i>A.000-A.255</i>	Adjust the intensity of the amber color.
	UV Dimmer	<i>u.000-u.255</i>	Adjust the intensity of the UV color.
	Flash Adjustment	<i>F5.00-50 16</i>	Adjust the flash speed. "00" is Off, "01" is the slowest speed, and "15" is the fastest.
SOUND MODE	Sound Active	<i>SoD 1-So 16</i>	Select 1 of 16 sound active programs.
	Sensitivity Adjust	<i>SJ-0-SJ-8</i>	Adjust the sound sensitivity. "0" is the lowest level, and "8" is the highest level.
AUTO RUN MODE	Color Fade Mode	<i>AFD 1-AF 16</i>	Select 1 of 16 color fade modes.
	Color Change Mode	<i>ADJ 1-AD 16</i>	Select 1 of 16 color change modes.
	Color Change & Color Fade Mode	<i>A-JF</i>	This mode will run both color change and color fade continuously.
	Speed Adjustment	<i>SP.0 1-SP. 16</i>	Adjust the running speed of the current mode.
STATIC COLOR MODE	Color Select	<i>CL00-CL63</i>	Select 1 of 63 static colors.
	Flash Adjustment	<i>F5.00-F5. 15</i>	Adjust the flash speed. "00" is Off, "01" is the slowest speed, and "15" is the fastest.
BATTERY LIFE ENERGY SAVE LOADING SETUP	Battery Life Display	<i>b---/ b000-b 100</i>	Displays the current battery life. "b---" means that the battery is not being used. "bXXX" means that the battery is in use. "XXX" represents the battery charge percentage. "b000" means that the battery has no charge. "b100" means that the battery is at full charge.
		<i>b5on</i>	Activates energy saving mode.
	Load On/Off Select	<i>b5oF</i>	Deactivates energy saving mode.
		<i>Loon</i>	Activates battery power.
OTHER	Display	<i>LooF</i>	Deactivates battery power.
		<i>don</i>	LED display is always on.
	IR Remote On/Off	<i>daoF</i>	LED display turns off after 30 seconds.
		<i>Iron</i>	IR remote function is activated.
	Display Normal/Inverted	<i>IroF</i>	IR remote function is deactivated.
		<i>Stnd</i>	LED digital display is normal.
	Menu Lock	<i>-3-</i>	LED digital display is inverted.
		<i>LoC 1</i>	Deactivate display lock. (Display lock is not active)
<i>LoC 2</i>		Activate display lock. (Press the MODE button for 3 seconds to unlock the display)	
Initialization Mode	<i>LoC 3</i>	Activate display lock two. (Press UP-DOWN-UP-DOWN to unlock the display)	
WIFLY SETUP	Initialization Mode	<i>dEFA</i>	Default to factory settings.
	WiFly Address	<i>rC00-rC 14</i>	Set the WiFly address.
	WiFly Function On/Off	<i>rCon</i>	WiFly function is active
<i>rCoF</i>		WiFly function is not active.	

SYSTEM MENU

Operating Power:

This unit can be powered in two ways: battery power or AC power. **Note: Regardless of the power source, you need to activate the LOAD function.**

AC Power - To operate the unit using AC power, plug it into a power source and activate the Load setting. Make sure the Battery Switch is in the **OFF** position when using AC power.

Battery Power - To operate the unit using Battery power, switch the battery switch located on the bottom of the fixture to the **On** position, and activate the Load setting.

Load Setting:

The Load setting must be activated regardless of whether Battery power or AC power is used. This switch activates the LED PCB output.

To activate Load, press the MODE button until either **“bXXX,” “bsXX,”** or **“LoXX”** is displayed. **“XX”** represents the current setting of those menus.

Press the **SETUP** button until **“LoXX”** is displayed. **“XX”** represents either **“on”** or **“oF”** (Off).

Press the **UP** or **DOWN** buttons until **“on”** is displayed.

Energy Saving Mode:

This mode gradually decreases the brightness of the LED when the battery life is less than 80%, extending the battery life.

To activate energy saving mode, press the MODE button until either **“bXXX,” “bsXX,”** or **“LoXX”** is displayed. **“XX”** represents the current setting of the displayed menu.

Press the **SETUP** button until **“bS:XX”** is displayed. **“XX”** represents either **“on”** or **“oF”** (Off).

Press the **UP** or **DOWN** button until **“on”** is displayed. If **“on”** is already displayed, the fixture is already in energy saving mode.

Display Lock:

To set the LED display light to turn off after 20 seconds, plug in the fixture and press the **MODE** button until **“dXX”** is displayed. **“XX”** represents either **“on”** or **“off”**.

Plug in the fixture and press the **SETUP** button until **“LoCX”** is displayed. **“X”** represents a number between 1-3.

Press the **UP** or **DOWN** buttons to find your desired setting.

“LoC1” - The keypad will always remain unlocked.

“LoC2” - The keypad will lock after 10 seconds. Press the **MODE** button for 3 seconds to unlock the keypad.

“LoC3” - This lock setting is used to prevent accidental unlocking of the keypad. To unlock the keypad, press **UP, DOWN, UP, DOWN** in that order.

LED Display On/Off:

To turn off the LED display light after 20 seconds, press the **MODE** button until **“dXX”** is displayed. **“XX”** represents either **“on”** or **“oFF”**. Press the **UP** or **DOWN** buttons until **“OFF”** is displayed. The display light will now turn off after 30 seconds. Press any button to turn the display on again.

SYSTEM MENU

Operating Modes:

The Element HEXIP has five operating modes:

1. **RGBWA+UV Dimmer Mode** - Choose one of the six colors to remain static or adjust the intensity of each color to create your desired color.
2. **Sound Active Mode** - The unit reacts to sound and chases through the built-in programs. There are 16 sound active modes.
3. **Auto Run Mode** - In Auto Run mode, you can choose 1 of 16 color change modes, 1 of 16 color fade modes, or a combination of color change and color fade mode.
4. **Color Macro Mode** - There are 63 color macros to choose from.
5. **DMX Control Mode** - This mode allows you to control each individual fixture's traits with a standard DMX 512 controller.

RGBWA & UV Dimmer Mode:

1. Plug in the fixture and press the **MODE** button until "**r:XXX**" is displayed. This indicates that you are in Red dimming mode. Use the **UP** and **DOWN** buttons to adjust the intensity. After adjusting the intensity or if you want to move to the next color, press the **SETUP** button.
2. When "**G: XXX**" is displayed, you are in Green dimming mode. Adjust the intensity using the UP and DOWN buttons.
3. When "**b: XXX**" is displayed, you are in Blue dimming mode. Use the UP and DOWN buttons to adjust the intensity.
4. When "**U: XXX**" is displayed, you are in White dimming mode. Adjust the intensity using the UP and DOWN buttons.
5. When "**A: XXX**" (Amber) is displayed, you are in Amber dimming mode. Use the UP and DOWN buttons to adjust the intensity.
6. When "**u: XXX**" is displayed, you are in UV dimming mode. Adjust the intensity using the UP and DOWN buttons.
7. Once you have adjusted the colors to create your desired color, you can activate strobing by pressing the **SETUP** button to enter strobe mode.
8. "**FS: XX**" will be displayed, indicating strobe mode. The strobe can be adjusted from "**00**" (flash off) to "**15**" (fastest flash).

Sound Active Mode:

1. Plug in the fixture and press the **MODE** button until "**SoXX**" is displayed. "**XX**" represents the current sound active mode (1-16).
2. Use the **UP** or **DOWN** buttons to find your desired sound active mode.
3. Press the **SETUP** button to enter sound sensitivity adjustment. "**SJ-X**" will be displayed. Use the **UP** or **DOWN** buttons to adjust the sensitivity. "**SJ-1**" is the lowest sensitivity, "**SJ-8**" is the highest. "**SJ-0**" turns off the sound sensitivity.

Static Color Mode (Color Macros):

1. Plug in the fixture and press the **MODE** button until "**CLXX**" is displayed.
2. There are 63 colors to choose from. Select your desired color by pressing the **UP** and **DOWN** buttons. After selecting the desired color, you can activate strobing by pressing the **SETUP** button to enter Flash (strobe) mode.
3. "**FS.XX**" will be displayed, indicating Flash mode. The flash can be adjusted from "**FS.00**" (flash off) to "**FS.15**" (fastest flash).

SYSTEM MENU

Auto Run Mode:

There are 3 types of Auto Run Modes to choose from: Color Fade, Color Change, and both Color Change and Color Fade modes running together. The running speed is adjustable in all 3 modes.

1. Plug in the fixture and press the **MODE** button until either “**AFX**,” “**AJXX**,” or “**A-JF**” is displayed.
 - **AFX** - Color Fade mode. There are 16 Color Fade modes to choose from. Use the UP or DOWN buttons to scroll through the different Auto Fade modes.
 - **AJXX** - Color Change mode. There are 16 Color Change modes to choose from. Use the UP or DOWN buttons to scroll through the different Auto Change modes.
 - **A-JF** - Both Color Fade and Color Change modes running.
2. After selecting your desired running mode, press the **SETUP** button until “**SP.XX**” is displayed. This allows you to adjust the running speed of your desired program. Use the **UP** or **DOWN** buttons to set the speed between “**SP.01**” (slowest) and “**SP.16**” (fastest). Once you have set the desired running speed, press the **SETUP** button to return to your selected Auto Run mode.

DMX Mode:

Operating through a DMX controller gives you the freedom to create your own programs tailored to your individual needs. The Element HEXIP has 5 DMX modes: 6 channel mode, 7 channel mode, 8 channel mode, 11 channel mode, and 12 channel mode.

1. To run the fixture in DMX mode, press the **MODE** button until “**d.XXX**” is displayed. “**XXX**” represents the current displayed DMX address.
2. Use the **UP** or **DOWN** buttons to select your desired DMX address, then press the **SETUP** button to choose your DMX Channel mode.
3. Use the **UP** or **DOWN** buttons to scroll through the DMX Channel modes. The Channel modes are listed below:
 - To run the 6 Channel Mode, press the **MODE** button until “**Ch06**” is displayed.
 - To run the 7 Channel Mode, press the **MODE** button until “**Ch07**” is displayed.
 - To run the 8 Channel Mode, press the **MODE** button until “**Ch08**” is displayed.
 - To run the 11 Channel Mode, press the **MODE** button until “**Ch11**” is displayed.
 - To run the 12 Channel Mode, press the **MODE** button until “**Ch12**” is displayed.
4. After selecting your desired DMX address and channel mode, connect the fixture to any standard DMX controller using XLR connections.

Dimmer Curve:

The dimmer curve determines the dimming behavior of the fixture when used in DMX mode. Refer to the dimmer curve chart.

1. Plug in the fixture and press the **MODE** button until “**d.XXX**” is displayed. “**XXX**” represents the current displayed DMX address.
2. Press the **SETUP** button until “**dr-X**” is displayed. “**X**” represents the current displayed dimmer curve setting (0-4).
 - **0: Standard**
 - **1: Stage**
 - **2: TV**
 - **3: Architectural**
 - **4: Theatre**
3. Use the **UP** or **DOWN** buttons to scroll through and select your desired dimming curve.

SYSTEM MENU

DMX State:

The DMX state mode serves as a precautionary measure in case the DMX signal is lost. It determines the running mode the fixture will enter when the DMX signal is lost. It can also be set as the default operating mode when power is applied.

1. Plug in the fixture and press the **MODE** button until “**d.XXX**” is displayed. “**XXX**” represents the current displayed DMX address.
2. Press the **SETUP** button until “**nodn**” is displayed. Use the **UP** and **DOWN** buttons to scroll through the DMX states.
 - - “**bLAC**” (Blackout): If the DMX signal is lost or interrupted, the unit will go into standby mode.
 - - “**LAST**” (Last State): If the DMX signal is lost or interrupted, the fixture will maintain its last DMX setup. If power is applied and this mode is set, the unit will automatically enter the last DMX setup.
 - - “**ProG**” (Auto Run): If the DMX signal is lost or interrupted, the unit will automatically enter Auto Run mode.
3. Once you find your desired setting, press **SETUP** to exit.

WiFly On/Off and Wireless Addressing:

This function activates the WiFly control and allows you to set the WiFly address. Note that the address must match the address set on the WiFly TransCeiver or WiFly controller.

1. Plug in the fixture and press the **MODE** button until “**rCXX**” is displayed. This indicates the wireless setup mode.
2. Use the **UP** or **DOWN** buttons to turn the Wireless function “**On**” or “**Off**”.
3. Press the **SETUP** button to enter the Wireless address menu. Use the **UP** or **DOWN** buttons to select your desired Wireless address.

Activate IR Sensor:

This function activates or deactivates the IR sensor, which allows you to control the fixture using the UC IR remote.

1. Plug in the fixture and press the **MODE** button until “**dXX**” is displayed. “**XX**” represents either “**on**” or “**oF**” (Off).
2. Press the **SETUP** button until “**lrXX**” is displayed. “**XX**” represents either “**on**” or “**oF**” (Off).
3. Use the **UP** or **DOWN** buttons to either activate the remote function (On) or deactivate it (Off)

Secondary Setting:

The Secondary setting designates the unit as a “**Secondary**” unit in a Primary-Secondary setup.

1. Plug in the fixture and press the **MODE** button until “**SEcd**” is displayed. The unit is now designated as a “Secondary” unit in a Primary-Secondary setup

Default Running Mode:

The Default Running mode restores all modes to their default settings when activated.

1. Plug in the fixture and press the **MODE** button until “**dXX**” is displayed. “**XX**” represents either “**on**” or “**oF**”.
2. Press the **SETUP** button until “**dEFA**” is displayed.
3. Simultaneously press the **UP** and **DOWN** buttons. Press the **MODE** button to exit.

PRIMARY-SECONDARY SETUP

Primary-Secondary Setup:

This function allows you to link units in a Primary-Secondary setup. In this setup, one unit acts as the controlling unit, and the others react to the controlling unit's built-in programs. Any unit can be a **Primary** or a **Secondary**, but only one unit can be programmed as the "**Primary**."

Primary-Secondary Connections and Settings:

1. Daisy chain your units using XLR connectors on the rear of the unit. Use standard XLR data cables to link your units together. The Male XLR connector serves as the input, while the Female XLR connector serves as the output. The first unit in the chain (Primary) uses the female XLR connector, and the last unit in the chain uses the male XLR connector.
2. Connect the first **Secondary** unit to the Primary unit.
3. Set the **Primary** unit to your desired mode of operation. On the **Secondary** unit(s), press the **MODE** button until "**SEcd**" is displayed.

DMX SETUP

DMX-512: DMX is short for Digital Multiplex. This is a universal protocol used as a form of communication between intelligent fixtures and controllers. A DMX controller sends DMX data instructions from the controller to the fixture. DMX data is sent as serial data that travels from fixture to fixture via the DATA “IN” and DATA “OUT” XLR terminals located on all DMX fixtures (most controllers only have a DATA “OUT” terminal).

DMX Linking: DMX allows fixtures from different manufacturers to be linked and controlled by a single controller, if all fixtures and the controller are DMX compliant. For proper DMX data transmission, try to use the shortest cable path when using multiple fixtures. The order in which fixtures are connected in a DMX line does not affect DMX addressing. A fixture assigned a DMX address of 1 can be placed anywhere in the line. When a fixture is assigned a DMX address of 1, the DMX controller sends data assigned to address 1 to that unit, regardless of its position in the DMX chain.

DMX ADDRESSING

All fixtures should be assigned a DMX starting address when operating with a DMX controller. This ensures that the correct fixture responds to the correct control signal. The starting address is the channel number from which the fixture starts to “listen” to the digital control signal sent from the DMX controller. Set the starting DMX address by adjusting the DMX address on the fixture’s digital control display.

You can set the same starting address for all fixtures or assign different addresses to each individual fixture. Setting all fixtures to the same DMX address will cause them to react in the same way. However, note that changing the settings of one channel will affect all fixtures simultaneously.

If you set each fixture to a different DMX address, each unit will start to “listen” to the channel number you have set, based on the quantity of DMX channels of each fixture. That means changing the settings of one channel will only affect the selected fixture.

In the case of the Element HEXIP, when in 6 channel mode you should set the starting DMX address of the first unit to 1, the second unit to 7 (6 + 1), the third unit to 13 (7 + 6), and so on. See chart below for more details.

Channel Mode	Unit 1 Addr	Unit 2 Addr	Unit 3 Addr	Unit 4 Addr
6 channels	1	7	13	19
7 channels	1	8	15	22
8 channels	1	9	17	25
11 channels	1	12	23	34
12 channels	1	13	25	37

DMX TRAITS

CHANNEL					DMX VALUES	FUNCTION
6 CH	7 CH	8 CH	11 CH	12 CH		
1	1	1	1	1	000-255	RED, 1~100%
2	2	2	2	2	000-255	GREEN, 1~100%
3	3	3	3	3	000-255	BLUE, 1~100%
4	4	4	4	4	000-255	WHITE, 1~100%
5	5	5	5	5	000-255	AMBER, 1~100%
6	6	6	6	6	000-255	UV, 1~100%
	7	7	7	7	000-255	MASTER DIMMER, 1~100%
						STROBING/SHUTTER
					000-031	LED OFF
					032-063	LED ON
					064-095	STROBING SLOW-FAST
		8	8	8	096-127	LED ON
					128-159	PULSE STROBING SLOW-FAST
					160-191	LED ON
					192-223	RANDOM STROBING SLOW-FAST
					224-255	LED ON
						PROGRAM SELECTION MODE
					000-051	RGBWA+UV DIMMING MODE
			9	9	052-102	COLOR MACRO MODE
					103-153	COLOR CHANGE MODE
					154-204	COLOR FADE MODE
					205-255	SOUND ACTIVE MODE

NOTE: 11 CHANNEL DMX MODE & 12 CHANNEL DMX MODE:

When Channel 9 is between the values of 0-51, Channels 1-6 are used, and Channel 8 will control strobing.

When Channel 9 is between the values of 52-102, Channel 10 is in Color Macros Mode, and Channel 8 will control strobing.

When Channel 9 is between the values of 103-153, Channel 10 is in Color Change Mode, and Channel 11 will control the color change speed.

When Channel 9 is between the values of 154-204, Channel 10 is in Color Fade Mode, and Channel 11 will control the color fade speed.

When Channel 9 is between the values of 205-255, Channel 10 is in Sound Active Mode, and Channel 11 will control the sound sensitivity.

DMX TRAITS

CHANNEL					DMX VALUES	FUNCTION
6 CH	7 CH	8 CH	11 CH	12 CH		
						PROGRAMS
						COLOR MACRO MODE
					000-255	SEE THE COLOR MACRO CHART
						COLOR CHANGE MODE
					000-015	COLOR CHANGE 1
					016-031	COLOR CHANGE 2
					032-047	COLOR CHANGE 3
					048-063	COLOR CHANGE 4
					064-079	COLOR CHANGE 5
					080-095	COLOR CHANGE 6
					096-111	COLOR CHANGE 7
					112-127	COLOR CHANGE 8
					128-143	COLOR CHANGE 9
					144-159	COLOR CHANGE 10
					160-175	COLOR CHANGE 11
					176-191	COLOR CHANGE 12
					192-207	COLOR CHANGE 13
					208-223	COLOR CHANGE 14
					224-239	COLOR CHANGE 15
					240-255	COLOR CHANGE 16
						COLOR FADE MODE
					000-015	COLOR FADE 1
					016-031	COLOR FADE 2
					032-047	COLOR FADE 3
					048-063	COLOR FADE 4
			10	10	064-079	COLOR FADE 5
					080-095	COLOR FADE 6
					096-111	COLOR FADE 7
					112-127	COLOR FADE 8
					128-143	COLOR FADE 9
					144-159	COLOR FADE 10
					160-175	COLOR FADE 11
					176-191	COLOR FADE 12
					192-207	COLOR FADE 13
					208-223	COLOR FADE 14
					224-239	COLOR FADE 15
					240-255	COLOR FADE 16
						SOUND ACTIVE MODE
					000-015	SOUND ACTIVE MODE 1
					016-031	SOUND ACTIVE MODE 2
					032-047	SOUND ACTIVE MODE 3
					048-063	SOUND ACTIVE MODE 4
					064-079	SOUND ACTIVE MODE 5
					080-095	SOUND ACTIVE MODE 6
					096-111	SOUND ACTIVE MODE 7
					112-127	SOUND ACTIVE MODE 8
					128-143	SOUND ACTIVE MODE 9
					144-159	SOUND ACTIVE MODE 10
					160-175	SOUND ACTIVE MODE 11
					176-191	SOUND ACTIVE MODE 12
					192-207	SOUND ACTIVE MODE 13
					208-223	SOUND ACTIVE MODE 14
					224-239	SOUND ACTIVE MODE 15
					240-255	SOUND ACTIVE MODE 16

DMX TRAITS

CHANNEL					DMX VALUES	FUNCTION
6 CH	7 CH	8 CH	11 CH	12 CH		
			11	11		PROGRAM SPEED/SOUND SENSITIVITY
					000-255	PROGRAM SPEED SLOW-FAST
					000-255	LEAST SENSITIVE-MOST SENSITIVE
						DIMMER CURVES
					000-020	STANDARD
					021-040	STAGE
					041-060	TV
					061-080	ARCHITECTURAL
					081-100	THEATRE
					101-255	DEFAULT TO UNIT SETTING

IR DEFAULT VALUES

BUTTON	RED	GREEN	BLUE	WHITE	AMBER	UV
0	0	0	0	255	0	0
1	255	0	0	0	0	0
2	0	255	0	0	0	0
3	0	0	255	0	0	0
4	231	68	0	0	0	0
5	0	117	58	0	0	0
6	17	0	75	0	0	44
7	255	83	0	0	63	0
8	0	109	70	0	0	0
9	32	0	75	0	22	35
10	0	0	0	0	255	0
11	0	114	160	0	0	0
12	82	0	35	0	0	74
13	255	255	0	0	255	0
14	0	75	136	0	0	0
15	81	0	35	0	0	115

EDITING RGBA IR BUTTON VALUES

These fixtures allow the user to create custom RGBA values and assign them to the numbered keys (0-15) on the remote control. Follow the steps below:

In the main system menu, press **MODE** to navigate to “**Personality**,” then press **ENTER**. Use the **UP** and **DOWN** buttons to scroll to “**IR Button Colors**,” then press **ENTER** again.

1. Use the **UP** and **DOWN** buttons to scroll to the number of the remote button that you would like to use. Options range from “**Button 0**” to “**Button 15**.” Press **ENTER** to select the button shown on the display screen.
2. Create a custom color for the button you have selected by using the **UP** and **DOWN** buttons to scroll through the color component options (Red, Green, Blue, or Amber). Press **ENTER** to select a color component option, then use the **UP** and **DOWN** buttons to adjust the intensity of that color component option. Selectable values range from 000 to 255. Repeat this process until you have set the desired Red, Green, Blue, and Amber intensities to create your custom color.

NOTE: Once you have created and assigned a custom RGBA value to a remote button, the default color for the remote button will be overridden. This means that the output color of the fixture may no longer resemble the color shown on the remote button. The only way to return to the default RGBA value is to reset the unit to the default factory settings by navigating to **Personality > Service > Factory Restore**.

NOTE: If multiple units have been linked in a primary-secondary setup, the custom RGBA values only need to be setup on the primary unit. The custom RGBA settings will carry over automatically to any secondary units in the system.

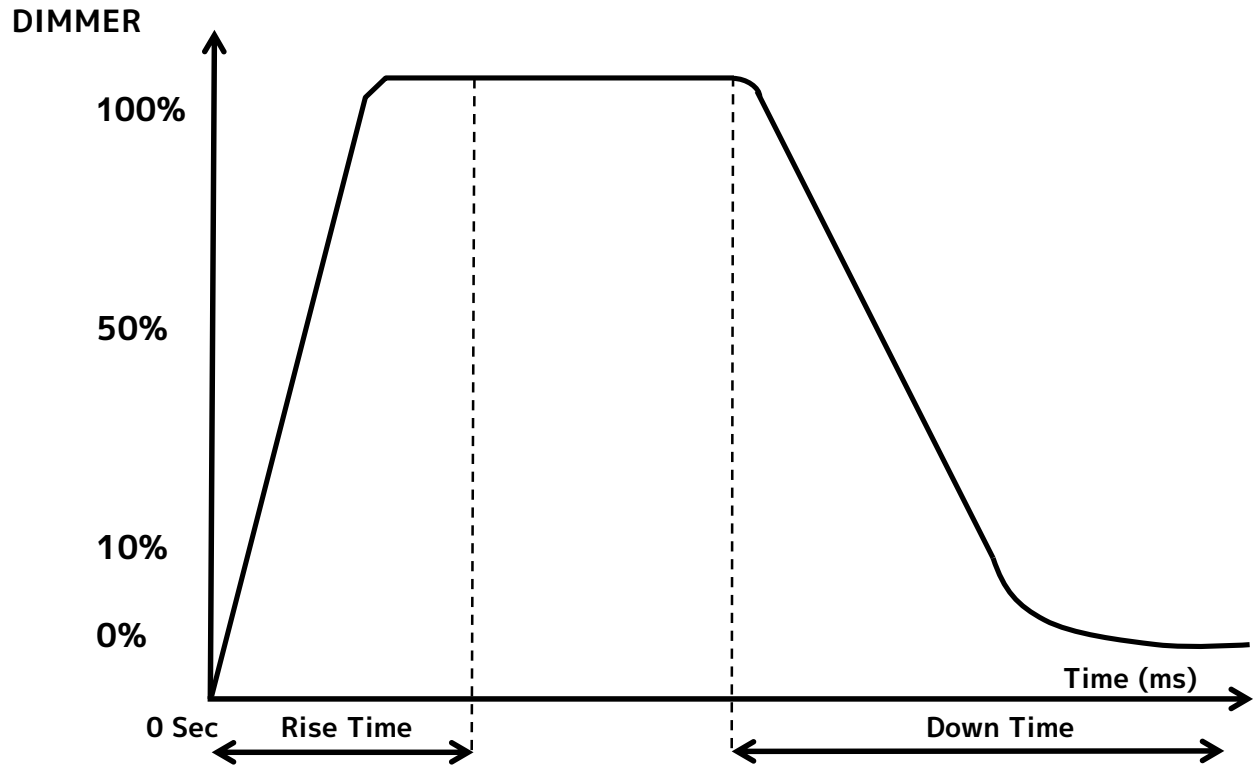
COLOR MACROS

DMX VALUES	COLOR MACRO	DMX VALUES	COLOR MACRO
0-3	Off	144-147	G+W+UV
4-7	Red	148-151	G+A+UV
8-11	Green	152-155	B+W+A
12-15	Blue	156-159	B+W+UV
16-19	White	160-163	B+A+UV
20-23	Amber	164-167	W+A+UV
24-27	UV	168-171	R+G+B+W
28-31	R+G	172-175	R+G+B+A
32-35	R+B	176-179	R+G+B+UV
36-39	R+W	180-183	R+G+W+A
40-43	R+A	184-187	R+G+W+UV
44-47	R+UV	188-191	R+G+A+UV
48-51	G+B	192-195	R+B+W+A
52-55	G+W	196-199	R+B+W+UV
56-59	G+A	200-203	R+B+A+UV
60-63	G+UV	204-207	R+W+A+UV
64-67	B+W	208-211	G+B+W+A
68-71	B+A	212-215	G+B+W+UV
72-75	B+UV	216-219	G+B+A+UV
76-79	W+A	220-223	G+W+A+UV
80-83	W+UV	224-227	B+W+A+UV
84-87	A+UV	228-231	R+G+B+W+A
88-91	R+G+B	232-235	R+G+B+W+UV
92-95	R+G+W	236-239	R+G+B+A+UV
96-99	R+G+A	240-243	R+G+W+A+UV
100-103	R+G+UV	244-247	R+B+W+A+UV
104-107	R+B+W	248-251	G+B+W+A+UV
108-111	R+B+A	252-255	R+G+B+W+A+UV
112-115	R+B+UV		
116-119	R+W+A		
120-123	R+W+UV		
124-127	R+A+UV		
128-131	G+B+W		
132-135	G+B+A		
136-139	G+B+UV		
140-143	G+W+A		

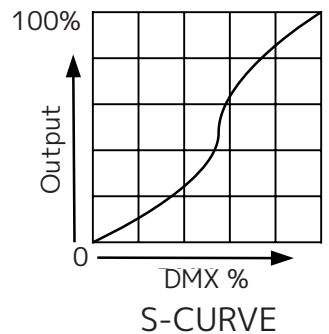
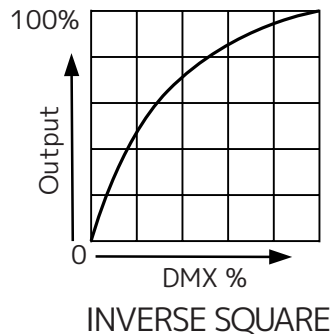
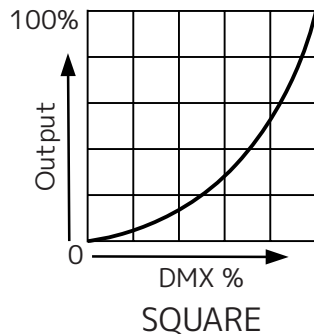
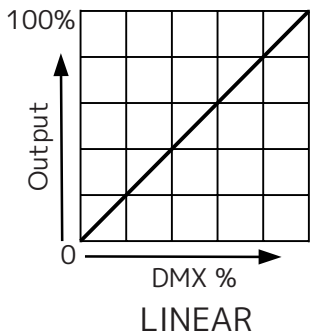
WHITE COLOR TEMPERATURE PRESETS

Color Temp	DMX Value	Color Temp	DMX Value	Color Temp	DMX Value
No Function	000 - 022	5300	53	8400	84
2300	23	5400	54	8500	85
2400	24	5500	55	8600	86
2500	25	5600	56	8700	87
2600	26	5700	57	8800	88
2700	27	5800	58	8900	89
2800	28	5900	59	9000	90
2900	29	6000	60	9100	91
3000	30	6100	61	9200	92
3100	31	6200	62	9300	93
3200	32	6300	63	9400	94
3300	33	6400	64	9500	95
3400	34	6500	65	9600	96
3500	35	6600	66	9700	97
3600	36	6700	67	9800	98
3700	37	6800	68	9900	99
3800	38	6900	69		
3900	39	7000	70		
4000	40	7100	71		
4100	41	7200	72		
4200	42	7300	73		
4300	43	7400	74		
4400	44	7500	75		
4500	45	7600	76		
4600	46	7700	77		
4700	47	7800	78		
4800	48	7900	79		
4900	49	8000	80		
5000	50	8100	81		
5100	51	8200	82		
5200	52	8300	83		

DIMMER CURVES AND DIMMER MODES



Dimming Curve Ramp Effect	0 sec Fade Time		1 sec Fade Time	
	Rise Time (ms)	Down Time (ms)	Rise Time (ms)	Down Time (ms)
Standard (default)	0	0	0	0
Stage	780	1100	1540	1660
TV	1180	1520	1860	1940
Architectural	1380	1730	2040	2120
Theatre	1580	1940	2230	2280
Stage 2	0	1100	0	1660



CLEANING & MAINTENANCE

WARNING! DISCONNECT UNIT FROM POWER BEFORE PERFORMING ANY CLEANING OR MAINTENANCE PROCEDURES!

ALWAYS ALLOW THE FIXTURE TO COOL FOR AT LEAST 15 MINUTES BEFORE PERFORMING ANY CLEANING OR MAINTENANCE!

FUSE REPLACEMENT

Disconnect the unit from its power source. Remove the power cord from the unit. Once the cord has been removed, you will find that the fuse holder is located inside the power socket. Insert a flat-head screw driver into the power socket and gently pry out the fuse holder. Remove the bad fuse and replace with a new one. The fuse holder also has a holder for a spare fuse.

CLEANING

Frequent cleaning is recommended to ensure proper function, optimized light output, and an extended life. The frequency of cleaning depends on the environment in which the fixture operates: damp, smoky, or particularly dirty environments can cause greater accumulation of dirt on the fixture's optics. Clean periodically with a soft cloth to avoid dirt/debris accumulation.

NEVER use alcohol, solvents, or ammonia-based cleaners.

MAINTENANCE

Regular inspections are recommended to ensure proper function and extended life. There are no user serviceable parts inside this fixture. Please refer all other service issues to an authorized ADJ service technician. Should you need any spare parts, please order genuine parts from an authorized ADJ dealer.

Please refer to the following points during routine inspections:

- A detailed electrical check by an approved electrical engineer every three months, to make sure the circuit contacts are in good condition and prevent overheating.
- Be sure all screws and fasteners are securely tightened at all times. Loose screws may fall out during normal operation, resulting in damage or injury as larger parts could fall.
- Check for any deformations on the housing, color lenses, rigging hardware and rigging points (ceiling, suspension, trussing). Deformations in the housing could allow for dust to enter into the fixture. Damaged rigging points or unsecured rigging could cause the fixture to fall and seriously injure a person(s).
- Electric power supply cables must not show any damage, material fatigue or sediments.

TORQUE SETTINGS FOR SCREWS

TORQUE DRIVERS (Recommended): UTICA TS-30 (Shown)

TORQUE DRIVER (Alternate):

- Proto J6107A
- Wiha 28887



The recommended torque setting for the Element HEXIP / Element HEXIP Chrome is 13kgf-cm.

CAUTION! DO NOT OVER TORQUE SCREWS AS THIS CAN CAUSE LEAKAGE ISSUES!

SPECIFICATIONS

Optical:

- 4 x 10-Watt RGBAW+UV LEDs (6-in-1 - Red, Green, Blue, Amber, White & UV)
- Life expectancy: rated at 50,000 hrs.
- LUX: 684 @ 2M; 171 @ 4M
- Beam angle: 20-degree
- PWM frequency:1000Hz

Connection:

- DMX:WiFLY EXR Wireless DMX
- With Wired Digital Communication Network
- IEC connection to power/charge fixture

Control:

- Control protocol: WiFLY EXR DMX
- 5 DMX Channel modes: 6, 7, 8, 11, or 12
- Remote control: WiFLY EXR DMX, UC-IR
- 5 Operational modes: RGBAW+UV Dimmer Mode; Sound Active mode; Auto Run Mode (16 color change modes, 16 color fade modes, & 1 color/fade combo mode); Static Color mode; and DMX Controlled

Features:

- IP54 Outdoor Rated
- Built-in kickstand to angle figure while it's on the floor
- 4-button DMX menu display on rear panel with water resistant hatch
- Built-in WiFLY EXR wireless DMX: Up to 2,500 feet (760M) when used with ADJ's WiFLY EXR Battery Transceiver
- 63 built-in Color Macros
- Variable RGBAW+UV color mixing offers a smooth, seemingly unlimited color palette - Great for Stage or Wall Washing!
- LED pulse and strobe effect (0.2Hz-11Hz)
- Flicker Free Operation
- Electronic Dimming: 0 - 100% with 5 dimming curves
- Run all night – No duty cycle
- Energy Saving Mode

Battery:

- Battery Type: fixed lithium battery
- Battery Energy: 73.26WH (Watt Hours)
- Battery Weight: 0.42 kg.
- Battery Voltage: 11.1V
- Battery Capacity: 6.6AH
- Total Lithium Ion Cells: 9 pieces
- Battery Wrap Material: PVC sleeving + highland barley paper
- Battery Charge Time: 4.5 Hours (With POWER switch On)
- Battery Life: 16 hours (Full charge, single color, Battery Saving mode ON)

Electrical:

- Power Draw Total (All LED's @ Full On): 45W, 0.5A @ 120V/60Hz, 42W, 0.2A @ 220V/50Hz,
- Multi-voltage operation: AC 100-240V, 50/60Hz

Dimensions / Weight:

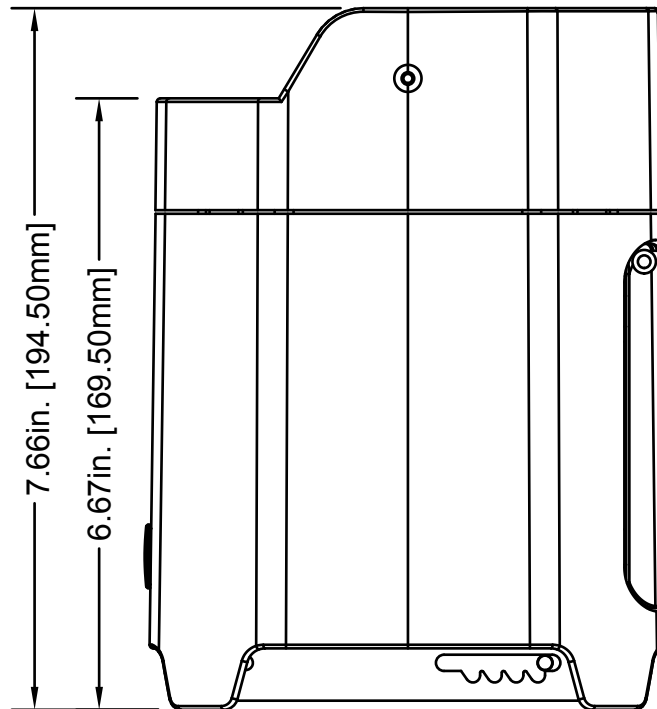
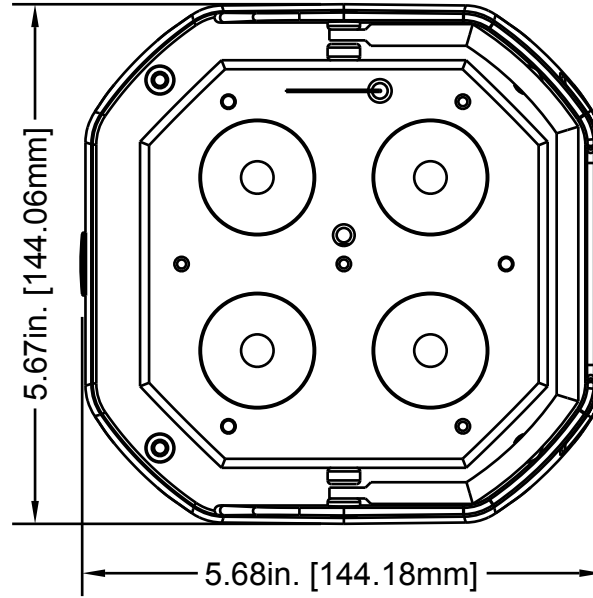
- Dimensions (LxWxH): 5.67" x 5.67" x 7.66" / 144.06 x 144.06 x 194.50mm
- Weight: 6.5 lbs. / 2.9kg.

Certifications:

- cETLus Approved (Control #4002034)
- CE Approved
- IP54 Outdoor rated

DIMENSIONS

Dimensions not to scale.



ACCESSORY AND ORDERING INFORMATION

SKU NUMBER	DESCRIPTION
EPC600	6-PACK SKB CASE
EFC800	8-PACK CHARGING CASE

