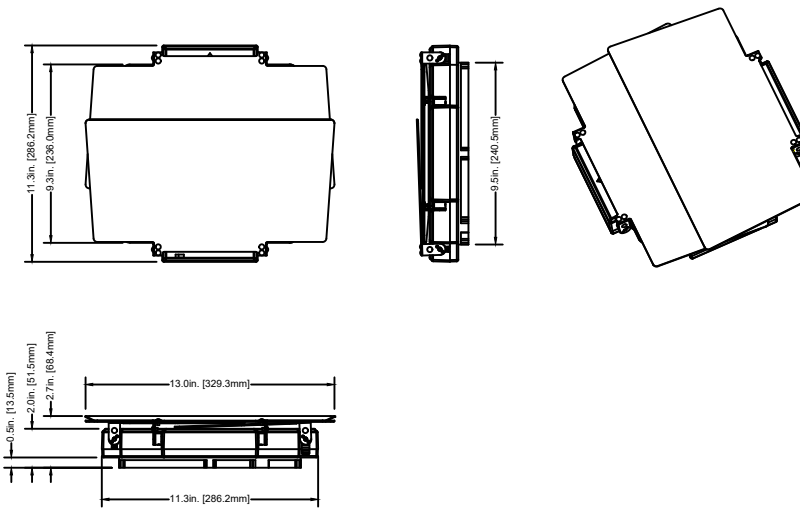
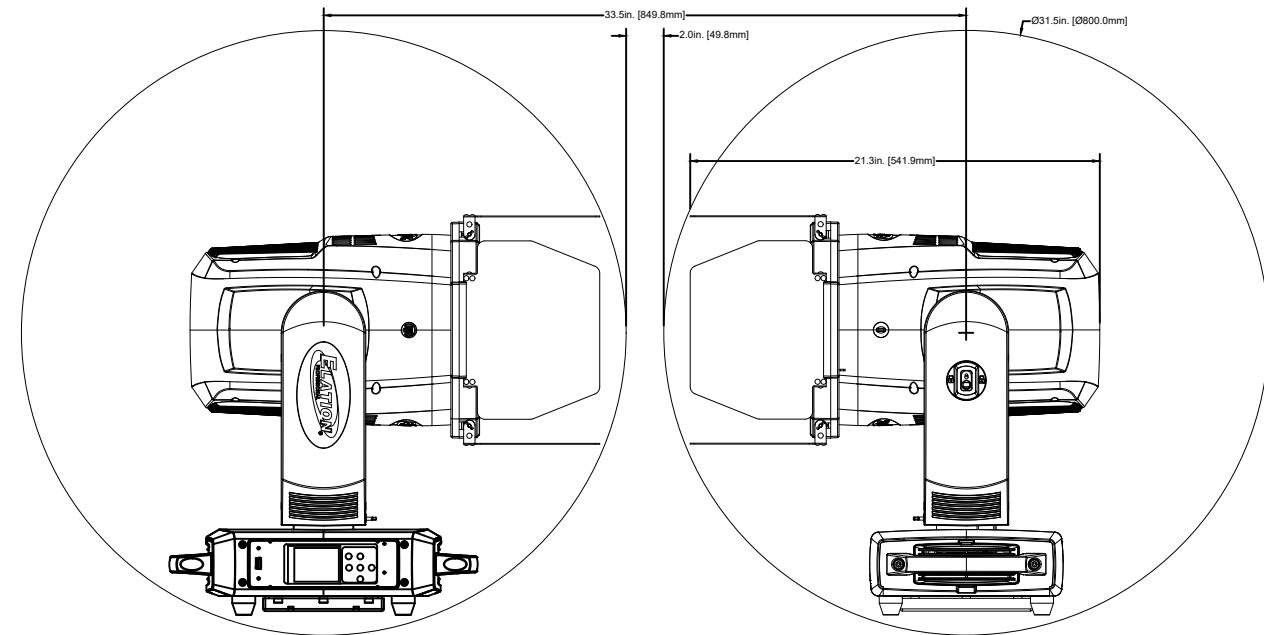
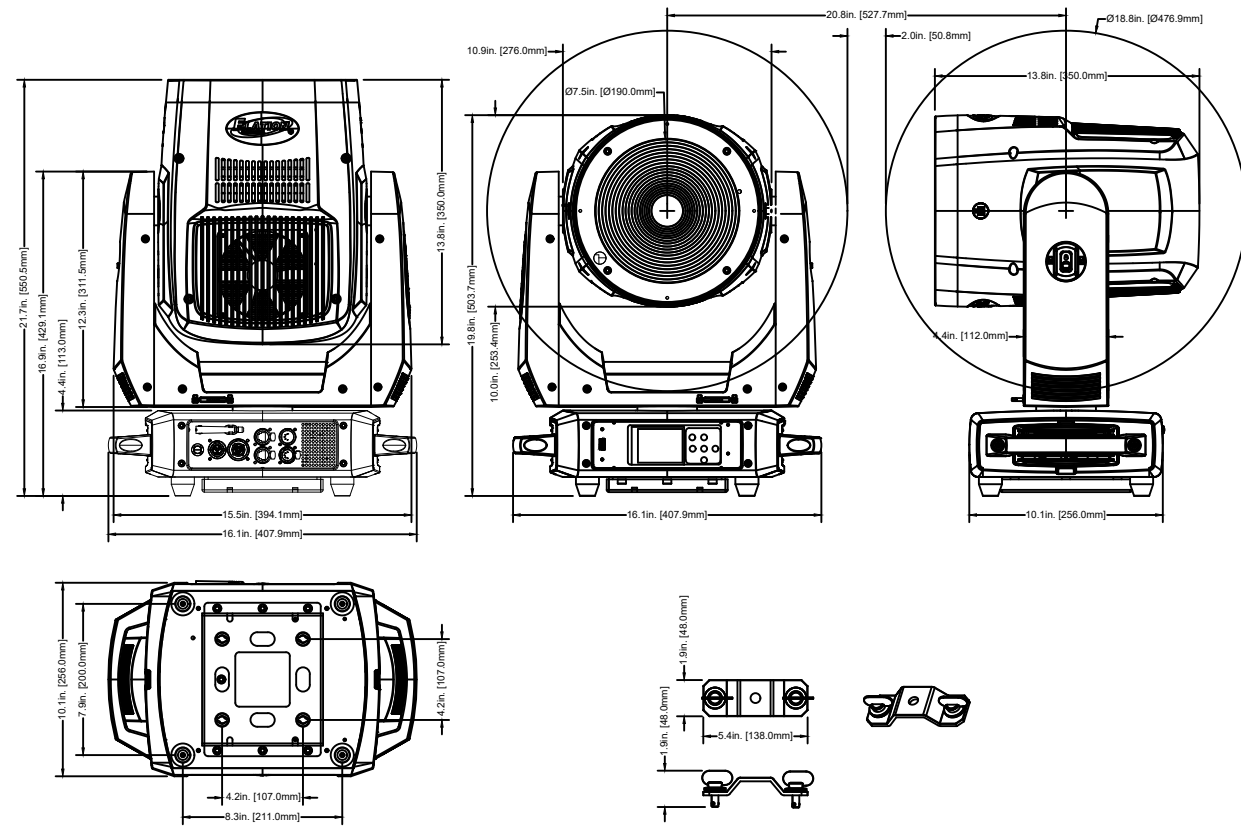
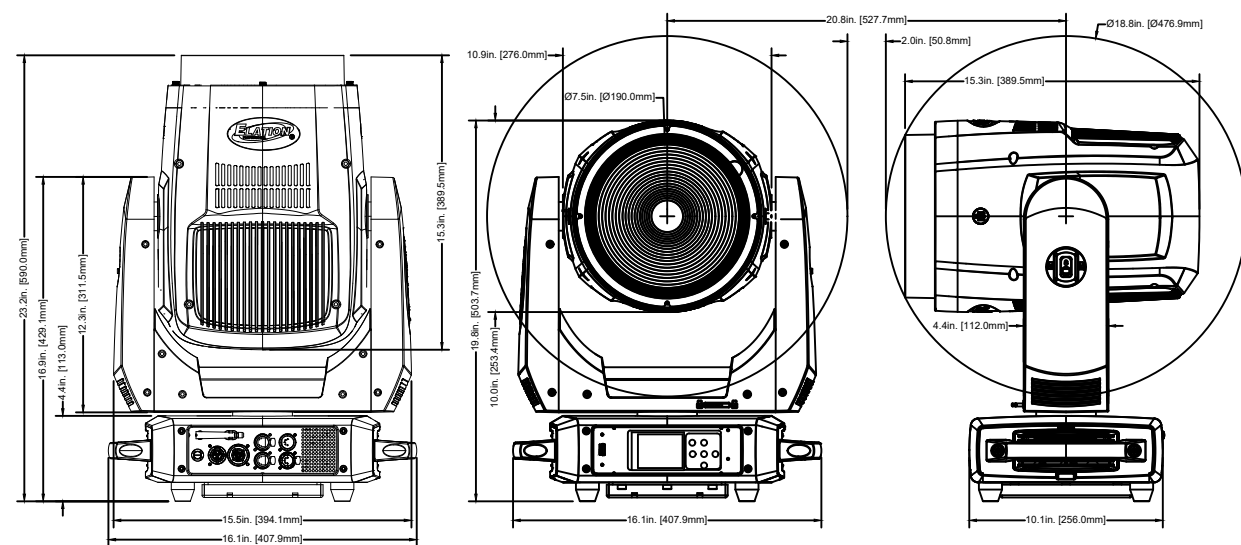


©ELATION all rights reserved. Information contained within this drawing is proprietary and confidential. Any reproduction and/or distribution of any part of this drawing without the written consent of Elation Professional is strictly prohibited. Diagrams and/or measurements herein subject to change without notice.

FUZE WASH 500 W/BARNDOOR



FUZE WASH 500 W/SNOOT



TITLE:		DATE:	
FUZE WASH 500		240315	
SCALE:	TOL:	ANGLE:	
NONE	± .XX(.X) .XXX(.XX)	-	-