



# **SMPTE / MIDI Kit Installation Guide**

## **NX4 – NX2 – NX Wing**

## 1. Introduction

Due to the shortage of components some NX2, NX4, and NX-Wing controllers shipped without the SMPTE and MIDI interfaces. This guide describes in detail how these interfaces are installed in these 3 controllers.

To register your device and receive the SMPTE/MIDI Kit free of charge please visit:

[support.obsidiancontrol.com/timecodeparts](https://support.obsidiancontrol.com/timecodeparts)

### WARNING: ANTI-STATIC PRECAUTIONS

ESD or Electrostatic Discharge is one of the main causes of electronic defects, such that the defect may not be immediately noticeable, but can pop up later, even months afterwards. ESD can ruin electronic components and can cause significant additional costs. Therefore it is very important to follow the instructions below.

**Be sure to be properly grounded before opening the controller:**

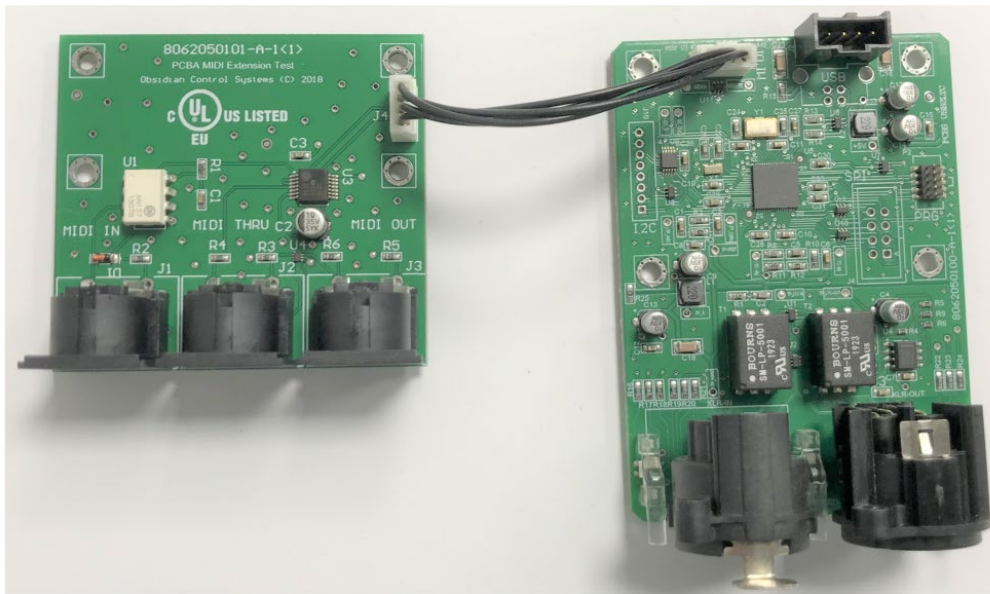
- *If possible: Carry out the service at an anti-static workstation.*
- *Wear a grounded anti-static wristband.*
- *Touch a grounded conductor every few minutes to discharge any static buildup.*
- *Hold components by their edges only. Do never touch the surfaces or any of the contacts of the PCBs.*



## 2. Kit Contents

The SMPTE/MIDI Kit contains following items:

- *SMPTE interface*
- *MIDI interface*
- *Interconnect cable*
- *1 set of reserve screws + wire straps*
- *This guide*



MIDI Interface

SMPTE Interface

## 3. Tools needed

Following tools are needed:

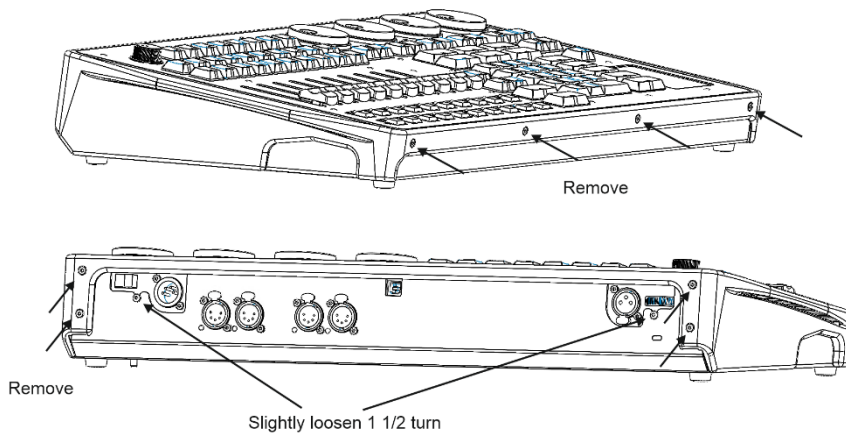
- *Torx T10 screw driver*
- *Torx T20 screw driver (only NX2, NX4)*
- *XLR 3-pin male to 3-pin female cable (for testing)*
- *MIDI cable (for testing)*

## 4. Installation

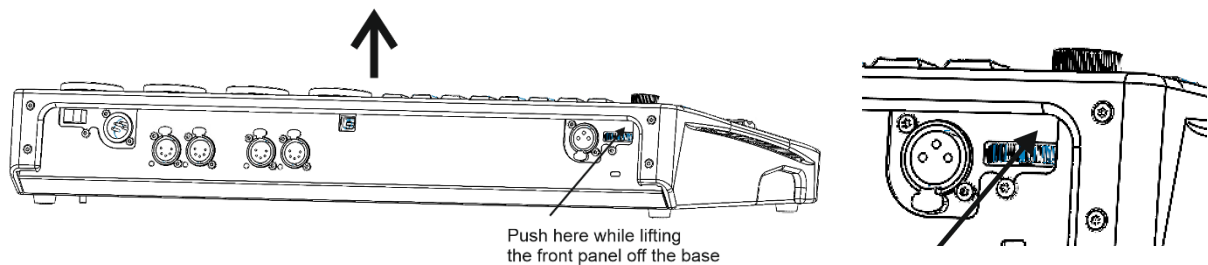
### 4.1. NX-Wing

1. *Remove screws:*

- *Remove 4 screws on the front (Torx T10)*
- *Remove 4 screws on the back (Torx T10)*
- *Slightly loosen 2 screws on the back (Torx T10)*



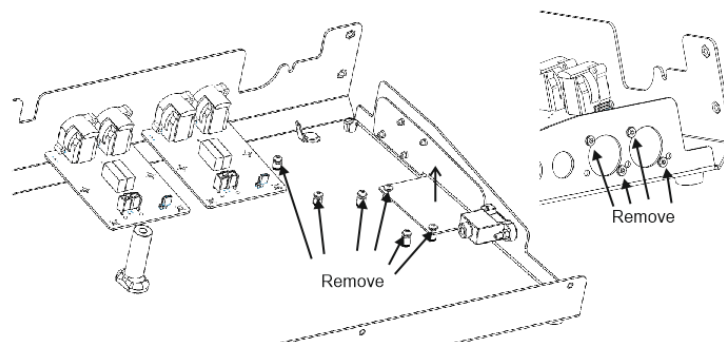
2. *Lift the front panel off the base. Push the top corner of the lamp dimmer plate in slightly, while lifting the front panel off the base.*



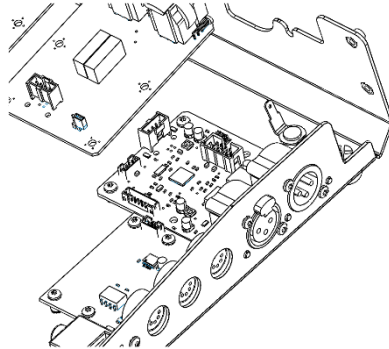
3. ***Put the front panel behind the base. Make sure that the cabling is not damaged.***

4. *Remove the blind plate:*

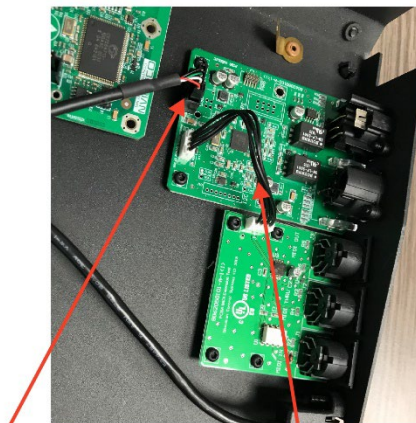
- *Remove 6 screws + washers from the base (Torx T10)*
- *Remove 4 screws from the side (Torx T10)*
- *Remove the blind plate*



5. Install the SMPTE and MIDI interfaces
  - Install the 2 interfaces with the screws and washers that were removed in the previous step.



6. Connect cabling:
  - Connect the USB cable coming from the front panel
  - Connect the interface interconnect cable

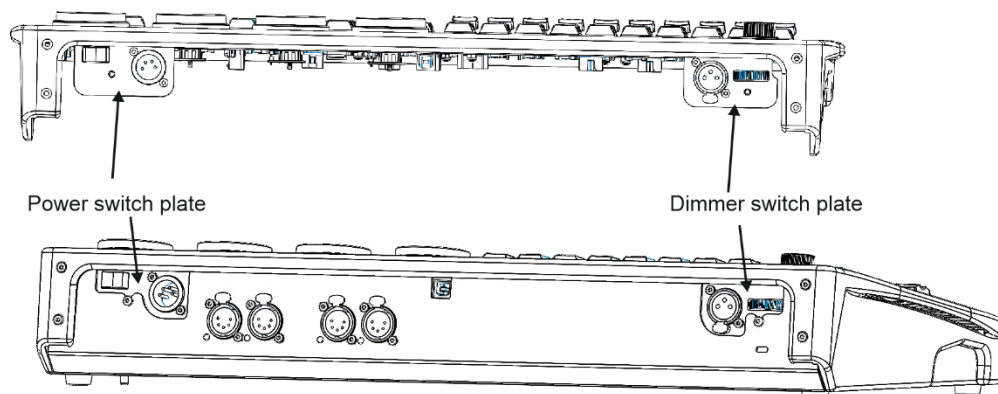


Connect USB cable coming from the front panel

Connect interface interconnect cable

7. Test the interface.
  - Before closing the controller, test the interfaces (see chapter 5)
8. Close the controller when the test was successful.
  - Close the controller in reverse order of opening.

**PLEASE NOTE** that the dimmer plate and power switch plate are on the inside of the controller when you place the front panel on the base. Forced closing when the 2 plates are not in the correct position can damage the dimmer wheel of the desk lamp and/or the power switch!!!



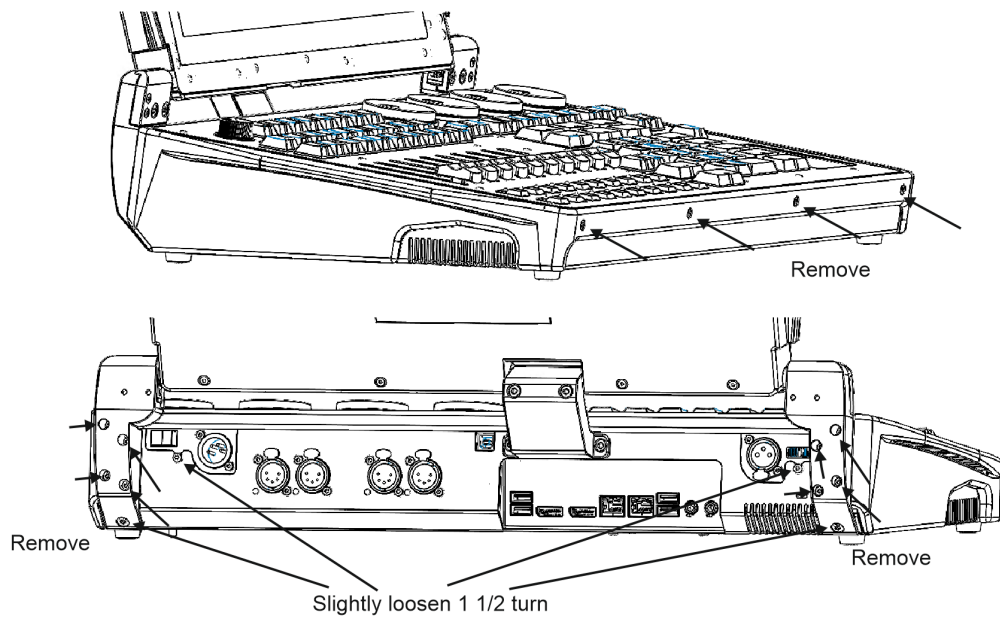
Power switch plate

Dimmer switch plate

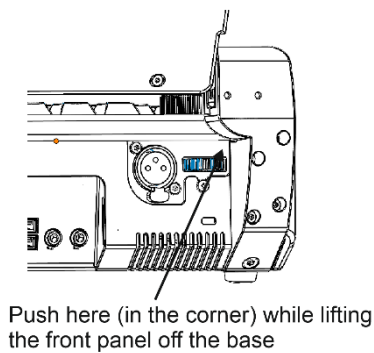
#### 4.2. NX2

1. Remove screws:

- Remove 4 screws on the front (Torx T10)
- Remove 8 screws on the back hinges (Torx T10)
- Slightly loosen 2 screws on the back (Torx T10)
- Slightly loosen 2 screws on the bottom of the hinges (Torx T20)



2. Lift the front panel off the base. Push the top corner of the lamp dimmer plate in slightly, while lifting the front panel off the base.

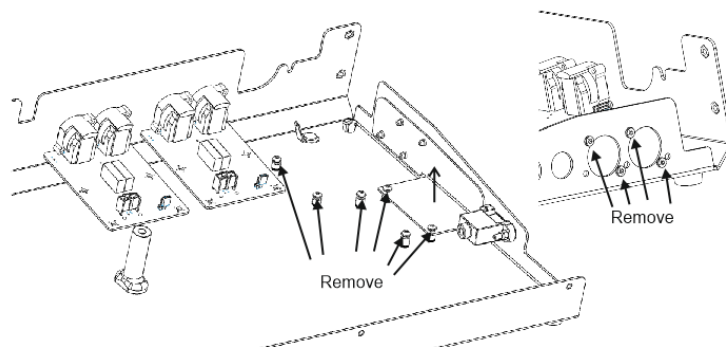


3. Place the front panel on the screen (put a piece of cardboard between them to prevent damage), as shown in the photo. **Make sure that the cabling is not damaged.**

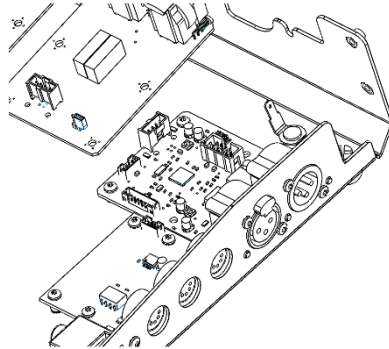
Note: SMPTE and MIDI interfaces are already installed in the picture



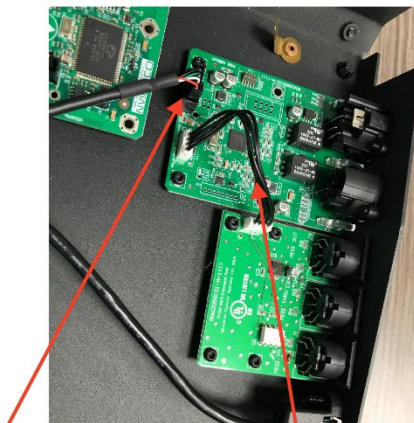
4. Remove the blind plate:
  - Remove 6 screws + washers from the base (Torx T10)
  - Remove 4 screws from the side (Torx T10)
  - Remove the blind plate



5. *Install the SMPTE and MIDI interfaces*
  - *Install the 2 interfaces with the screws and washers that were removed in the previous step.*



6. *Connect cabling:*
  - *Connect the USB cable coming from the front panel*
  - *Connect the interface interconnect cable*

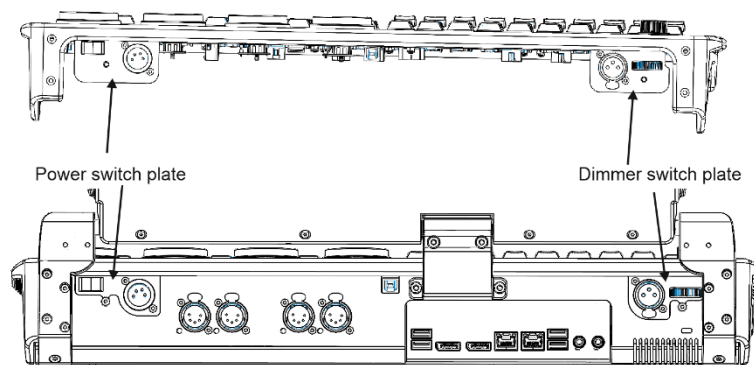


Connect USB cable coming from the front panel

Connect interface interconnect cable

7. *Test the interface.*
  - *Before closing the controller, test the interfaces (see chapter 5)*
8. *Close the controller when the test was successful.*
  - *Close the controller in reverse order of opening.*

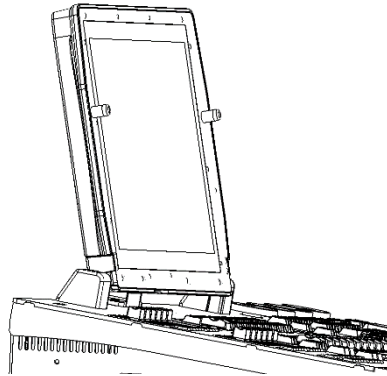
**PLEASE NOTE** that the dimmer plate and power switch plate are on the inside of the controller when you place the front panel on the base. Forced closing when the 2 plates are not in the correct position can damage the dimmer wheel of the desk lamp and/or the power switch!!!



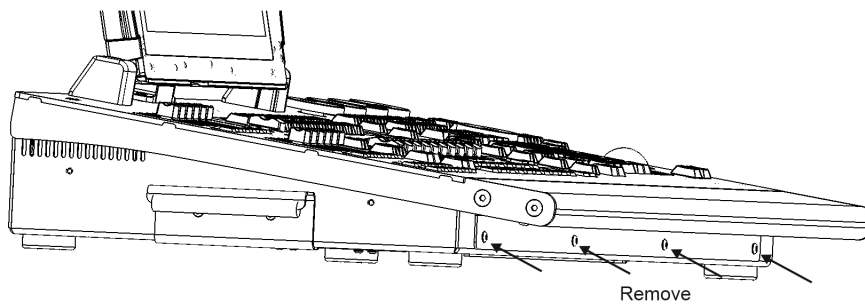


### 4.3. NX4

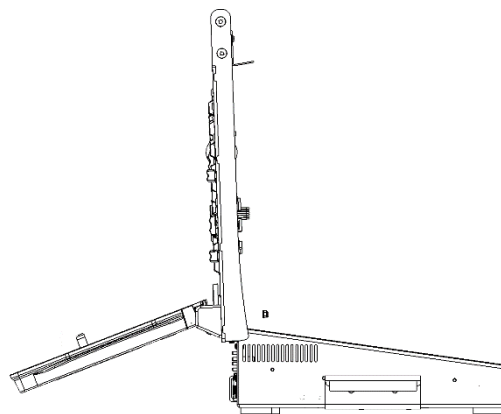
1. Place the desk lights in horizontal position behind the screen
2. Place the screen in open position



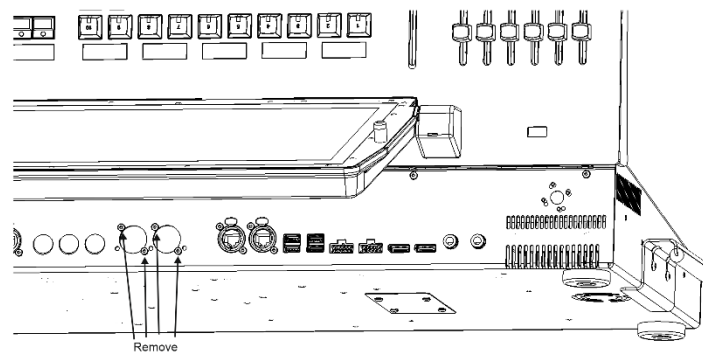
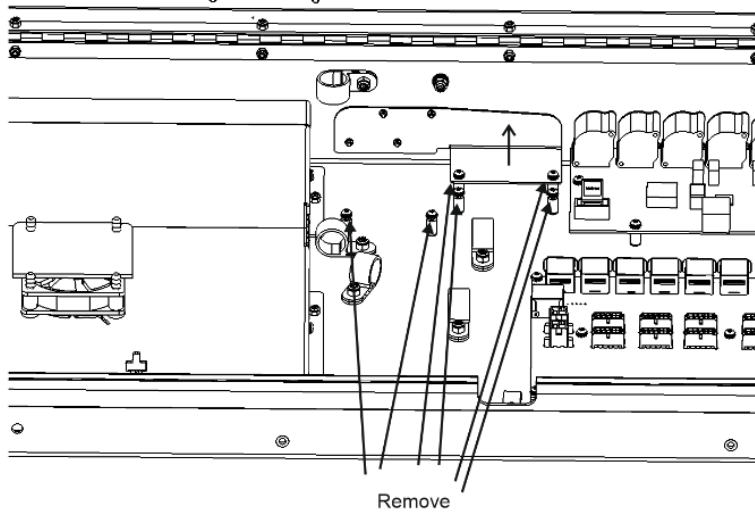
3. Remove screws:
  - Remove 4 screws on the front (Torx T20)



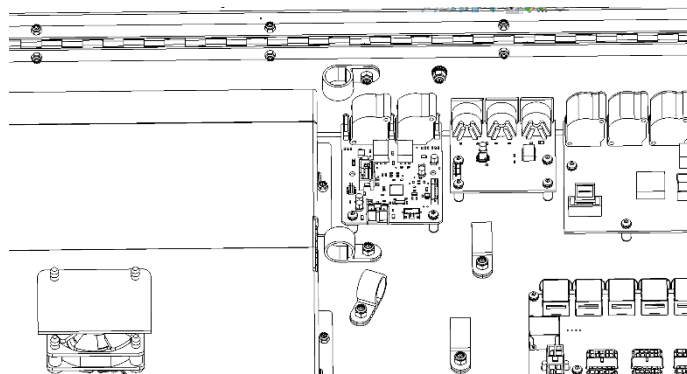
4. Open the desk. Use the screen to keep it in open position.



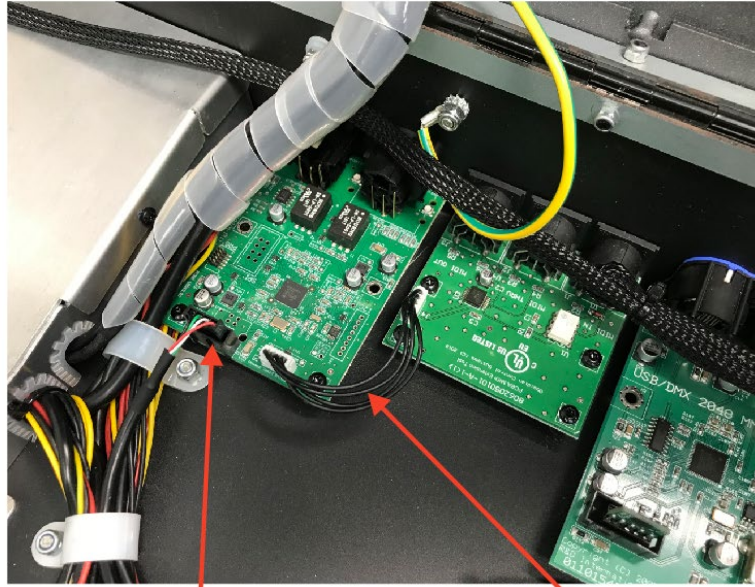
5. *Remove the blind plate:*
  - *Remove 6 screws + washers from the base (Torx T10)*
  - *Remove 4 screws from the back (Torx T10)*
  - *Remove the blind plate*



6. *Install the SMPTE and MIDI interfaces*
  - *Install the 2 interfaces with the screws and washers that were removed in the previous step.*



7. *Connect cabling:*
  - *Connect the USB cable coming from the center HUB/Power PCB*
  - *Connect the interface interconnect cable*



Connect USB cable coming from the center HUB/power PCB

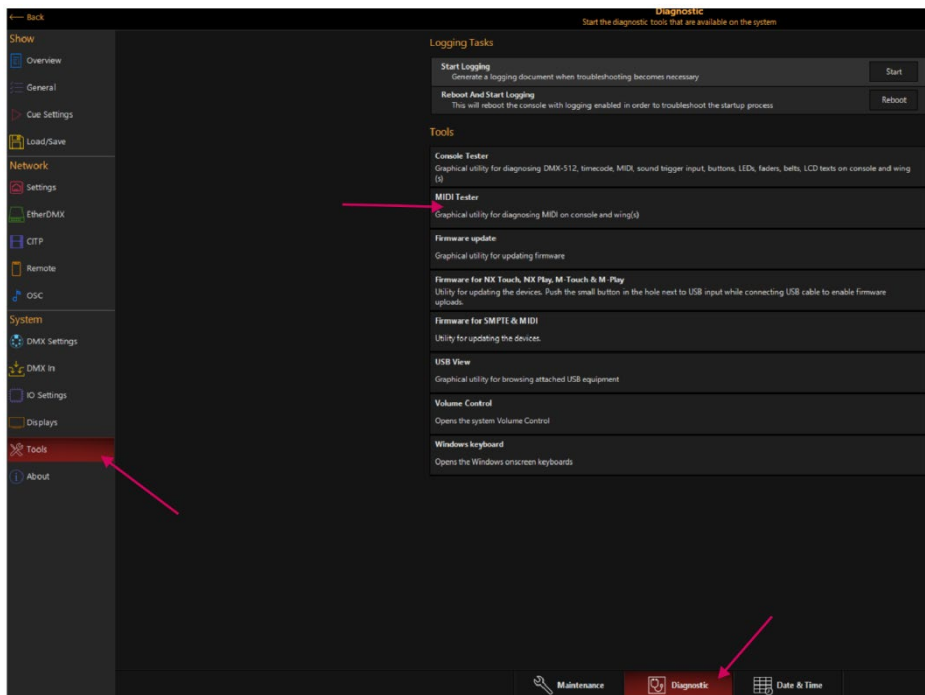
Connect interface interconnect cable

9. *Test the interface.*
  - *Before closing the controller, test the interfaces (see chapter 5)*
10. *Close the controller when the test was successful.*
  - *Close the controller in reverse order of opening.*

## 5. Test the SMPTE/MIDI interfaces

The test procedure is the same for all controllers:

1. Connect SMPTE IN with SMPTE OUT using a XLR 3-pin male to 3-pin female cable
2. Connect MIDI IN with MIDI OUT using a MIDI cable
3. Start the controller
4. Go to the “Menu” in the ONYX software: “Tools” – “Diagnostics” and open “MIDI tester”



5. The tester will run automatically. If it doesn't run, then hit “Close / Test Next Device”
  - If everything is OK then it will display “TEST OK”
  - If fails are detected, then check the USB cable to the SMPTE interface, the interface interconnect cable and the XLR and MIDI cable.

