

SEVEN PAR 7IP™

user manual

©2018 ELATION PROFESSIONAL all rights reserved. Information, specifications, diagrams, images, and instructions herein are subject to change without notice. ELATION PROFESSIONAL logo and identifying product names and numbers herein are trademarks of ELATION PROFESSIONAL. Copyright protection claimed includes all forms and matters of copyrightable materials and information now allowed by statutory or judicial law or hereinafter granted. Product names used in this document may be trademarks or registered trademarks of their respective companies and are hereby acknowledged. All non-ELATION brands and product names are trademarks or registered trademarks of their respective companies.

ELATION PROFESSIONAL and all affiliated companies hereby disclaim any and all liabilities for property, equipment, building, and electrical damages, injuries to any persons, and direct or indirect economic loss associated with the use or reliance of any information contained within this document, and/or as a result of the improper, unsafe, insufficient and negligent assembly, installation, rigging, and operation of this product.

Elation Professional USA | 6122 S. Eastern Ave. | Los Angeles, CA. 90040

323-582-3322 | 323-832-9142 fax | www.elationlighting.com | info@elationlighting.com

Elation Professional B.V. | Junostraat 2 | 6468 EW Kerkrade, The Netherlands

+31 45 546 85 66 | +31 45 546 85 96 fax | www.elationlighting.eu | info@elationlighting.eu

Elation Professional Mexico | AV Santa Ana 30 | Parque Industrial Lerma, Lerma, Mexico 52000

+52 (728) 282-7070

DOCUMENT VERSION

Due to additional product features and/or enhancements, an updated version of this document may be available online.

Please check www.elationlighting.com for the latest revision/update of this manual, before beginning installation and/or programming.

Date	Document Version	Software Version ≥	DMX Channel Modes	Notes
05/11/18	1	1.04	CH:03 RGB, CH:07 8Bit, CH:14 16Bit, CH:15 Master, CH:04 H S I, CH:10 H S I+	Initial release.
05/14/18	1.2	N/C	NO CHANGE	Updated release.
06/19/18	1.4	1.05	RGB 3CH, RGBSeven 3CH, 8bit 7CH, 16bit 14CH, Master 15CH , HSI 4CH, HSI Mast 10CH	Updated System Menu / DMX modes.
09/15/20	1.6	1.08	NO CHANGE	Updated primary/secondary

CONTENTS

General Information	4
Limited Warranty (USA Only)	5
Safety Guidelines	6
Maintenance Guidelines	8
Fixture Overview	9
Installation Guidelines	10
System Menu	14
DMX Channel Functions And Values	17
Technical Specifications	21
Optional Accessories	23

GENERAL INFORMATION

INTRODUCTION

This fixture has been designed to perform reliably for years when the information in this manual are followed. Please read and understand all the instructions and guidelines carefully and thoroughly before operating this unit. This manual contains important information regarding safety, installation, use, and maintenance.

UNPACKING

Each fixture has been thoroughly tested and shipped in perfect operating condition. Carefully check the outer shipping carton for signs of any damage that may have occurred during shipping. If the outer carton appears to be damaged, carefully inspect the fixture for damage and be sure all included accessories have arrived intact. In the event damage has been found and/or parts are missing, please contact our customer support team for further instructions. Please do NOT return this fixture to your dealer without first contacting customer support at the number listed below. Please do NOT discard the outer shipping carton in the trash. Please recycle whenever possible.

CUSTOMER SUPPORT

Elation Professional provides a customer support line to provide set up help and answer any set up or operation questions. You may also visit us on the web at www.elationlighting.com for any comments or suggestions. For service related issue please contact Elation Professional.

ELATION SERVICE USA - Monday - Friday 8:00am to 5:00pm PST

Voice: 323-582-3322

Fax: 323-832-9142

E-mail: support@elationlighting.com

ELATION SERVICE EUROPE - Monday - Friday 08:30 to 17:00 CET

Voice: +31 45 546 85 30

Fax: +31 45 546 85 96

E-mail: support@elationlighting.eu

WARRANTY REGISTRATION / RETURNS

Please register online: <http://www.elationlighting.com/Login.aspx> to validate your purchase. All returned service items whether under warranty or not, must be freight pre-paid and accompany a return authorization (R.A.) number. The R.A. number must be clearly written on the outside of the return package. A brief description of the problem as well as the R.A. number must also be written down on a piece of paper and included in the shipping container. If the unit is under warranty, you must provide a copy of your proof of purchase invoice. Items returned without a R.A. number clearly marked on the outside of the package will be refused and returned at customer's expense. You may obtain a R.A. number by contacting customer support.

LIMITED WARRANTY (USA ONLY)

A. Elation Professional hereby warrants, to the original purchaser, Elation Professional products to be free of manufacturing defects in material and workmanship for a period of two years (730 days), and Elation Professional product rechargeable batteries to be free of manufacturing defects in material and workmanship for a period of six months (180 days), from the original date of purchase. This warranty excludes discharge lamps and all product accessories. This warranty shall be valid only if the product is purchased within the United States of America, including possessions and territories. It is the owner's responsibility to establish the date and place of purchase by acceptable evidence, at the time service is sought.

B. For warranty service, send the product only to the Elation Professional factory. All shipping charges must be pre-paid. If the requested repairs or service (including parts replacement) are within the terms of this warranty, Elation Professional will pay return shipping charges only to a designated point within the United States. If any product is sent, it must be shipped in its original package and packaging material. No accessories should be shipped with the product. If any accessories are shipped with the product, Elation Professional shall have no liability what so ever for loss and/or damage to any such accessories, nor for the safe return thereof.

C. This warranty is void if the product serial number and/or labels are altered or removed; if the product is modified in any manner which Elation Professional concludes, after inspection, affects the reliability of the product; if the product has been repaired or serviced by anyone other than the Elation Professional factory unless prior written authorization was issued to purchaser by Elation Professional; if the product is damaged because not properly maintained as set forth in the product instructions, guidelines and/or user manual.

D. This is not a service contract, and this warranty does not include any maintenance, cleaning or periodic check-up. During the periods as specified above, Elation Professional will replace defective parts at its expense, and will absorb all expenses for warranty service and repair labor by reason of defects in material or workmanship. The sole responsibility of Elation Professional under this warranty shall be limited to the repair of the product, or replacement thereof, including parts, at the sole discretion of Elation Professional. All products covered by this warranty were manufactured after January 1, 1990, and bare identifying marks to that effect.

E. Elation Professional reserves the right to make changes in design and/or performance improvements upon its products without any obligation to include these changes in any products theretofore manufactured.

F. No warranty, whether expressed or implied, is given or made with respect to any accessory supplied with the products described above. Except to the extent prohibited by applicable law, all implied warranties made by Elation Professional in connection with this product, including warranties of merchantability or fitness, are limited in duration to the warranty periods set forth above. And no warranties, whether expressed or implied, including warranties of merchantability or fitness, shall apply to this product after said periods have expired. The consumer's and/or dealer's sole remedy shall be such repair or replacement as is expressly provided above; and under no circumstances shall Elation Professional be liable for any loss and/or damage, direct and/or consequential, arising out of the use of, and/or the inability to use, this product.

G. This warranty is the only written warranty applicable to Elation Professional products and supersedes all prior warranties and written descriptions of warranty terms and conditions heretofore published.

SAFETY GUIDELINES

This fixture is a sophisticated piece of electronic equipment. To guarantee a smooth operation, it is important to follow all instructions and guidelines in this manual. Elation Professional is not responsible for injury and/or damages resulting from the misuse of this fixture due to the disregard of the information printed in this manual. Only qualified and/or certified personnel should perform installation of this fixture and only the original rigging parts (omega brackets) included with this fixture should be used for installation. Any modifications to the fixture and/or the included mounting hardware will void the original manufactures warranty and increase the risk of damage and/or personal injury.



PROTECTION CLASS 1 - FIXTURE MUST BE PROPERLY GROUNDED



THERE ARE NO USER SERVICEABLE PARTS INSIDE THIS UNIT. DO NOT ATTEMPT ANY REPAIRS YOURSELF; DOING SO WILL VOID YOUR MANUFACTURES WARRANTY. DAMAGES RESULTING FROM MODIFICATIONS TO THIS FIXTURE AND/OR THE DISREGARD OF SAFETY INSTRUCTIONS AND GUIDELINES IN THIS MANUAL VOID THE MANUFACTURES WARRANTY AND ARE NOT SUBJECT TO ANY WARRANTY CLAIMS AND/OR REPAIRS.



**DO NOT PLUG FIXTURE INTO A DIMMER PACK!
NEVER OPEN THIS FIXTURE WHILE IN USE!
UNPLUG POWER BEFORE SERVICING FIXTURE!
NEVER TOUCH FIXTURE DURING OPERATION, AS IT MAY BE HOT!
KEEP FLAMMABLE MATERIALS AWAY FROM FIXTURE!**



ENSURE ALL CONNECTIONS AND END CAPS ARE PROPERLY SEALED WITH A DIELECTRIC GREASE (AVAILABLE AT MOST ELECTRICAL SUPPLIERS) TO PREVENT WATER CORROSION AND/OR ELECTRICAL SHORT CIRCUIT.



**NEVER LOOK DIRECTLY INTO THE LIGHT SOURCE!
RETINA INJURY RISK - MAY INDUCE BLINDNESS!
SENSITIVE PERSONS MAY SUFFER AN EPILEPTIC SHOCK!**

SAFETY GUIDELINES

CAUTION

**HIGH
INTENSITY
ULTRAVIOLET
LIGHT**

AVOID DIRECT EYE & SKIN EXPOSURE.
WEAR PROPER EYE & SKIN PROTECTION.
SEE MANUAL FOR SAFETY INSTRUCTIONS.



RISK GROUP 3 - RISK OF EXPOSURE TO ULTRAVIOLET UV RADIATION! FIXTURE EMITS HIGH INTENSITY WAVELENGTH OF ULTRAVIOLET UV LIGHT FROM THE UV LED. WEAR PROPER EYE AND SKIN PROTECTION. AVOID PROLONGED PERIODS OF EXPOSURE TO UV LED. AVOID WEARING WHITE COLOR CLOTHING AND/OR USING UV PAINTS ON SKIN.

AVOID DIRECT EYE AND/OR SKIN EXPOSURE AT DISTANCES LESS THAN 11 feet (3.3m). DO NOT OPERATE FIXTURE WITH DAMAGED/MISSING EXTERNAL COVERS. DO NOT LOOK DIRECTLY INTO THE UV LIGHT AND/OR VIEW UV LIGHT DIRECTLY WITH OPTICAL INSTRUMENTS THAT MAY CONCENTRATE THE LIGHT/RADIATION OUTPUT. INDIVIDUALS SUFFERING FROM A RANGE OF EYE CONDITIONS, SUNLIGHT EXPOSURE DIS-ORDERS, OR INDIVIDUALS USING PHOTSENSITIVE MEDICATION, MAY RECEIVE DISCOMFORT IF EXPOSED TO THE ULTRAVIOLET UV LIGHT EMITTED FROM THE UV LED.

DO NOT TOUCH the fixture housing during operation. Turn OFF the power and allow approximately 15 minutes for the fixture to cool down before serving.

DO NOT shake fixture, avoid brute force when installing and/or operating fixture.

DO NOT operate fixture if the power cord is frayed, crimped, damaged and/or if any of the power cord connectors are damaged and do not insert into the fixture securely with ease. **NEVER** force a power cord connector into the fixture. If the power cord or any of its connectors are damaged, replace it immediately with a new one of similar power rating.

DO NOT block any air ventilation slots.

All fan and air inlets must remain clean and never blocked.

Allow approx. 6" (15cm) between fixture and other devices or a wall for proper cooling.

When installing fixture in a suspended environment, always use mounting hardware that is no less than M10 x 25 mm, and always install fixture with an appropriately rated safety cable.

Always disconnect fixture from main power source before performing any type of service and/or cleaning procedure. Only handle the power cord by the plug end, never pull out the plug by tugging the wire portion of the cord.

During the initial operation of this fixture, a light smoke or smell may emit from the interior of the fixture. This is a normal process and is caused by excess paint in the interior of the casing burning off from the heat associated with the lamp and will decrease gradually over time.

Consistent operational breaks will ensure fixture will function properly for many years.

ONLY use the original packaging and materials to transport the fixture in for service.

MAINTENANCE GUIDELINES



DISCONNECT POWER BEFORE PERFORMING ANY MAINTENANCE!

CLEANING

Frequent cleaning is recommended to insure proper function, optimized light output, and an extended life. The frequency of cleaning depends on the environment in which the fixture operates: damp, smoky or particularly dirty environments can cause greater accumulation of dirt on the fixture's optics. Clean the external lens surface at least every 20 days with a soft cloth to avoid dirt/debris accumulation.

NEVER use alcohol, solvents, or ammonia-based cleaners.

MAINTENANCE

Regular inspections are recommended to insure proper function and extended life.

There are no user serviceable parts inside this fixture, please refer all other service issues to an authorized Elation service technician. Should you need any spare parts, please order genuine parts from your local Elation dealer.

Please refer to the following points during routine inspections:

A detailed electric check by an approved electrical engineer every three months, to make sure the circuit contacts are in good condition and prevent overheating.

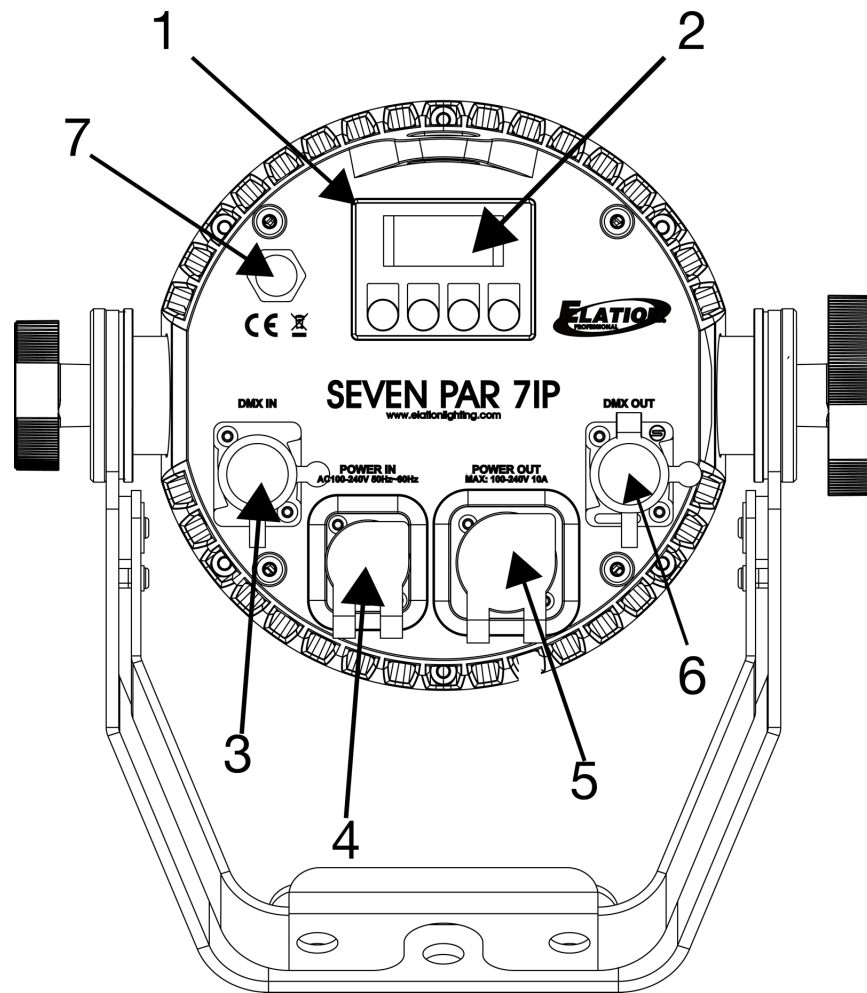
Be sure all screws and fasteners are securely tightened at all times. Loose screws may fall out during normal operation resulting in damage or injury as larger parts could fall.

Check for any deformations on the housing, color lenses, rigging hardware and rigging points (ceiling, suspension, trussing). Deformations in the housing could allow for dust to enter into the fixture. Damaged rigging points or unsecured rigging could cause the fixture to fall and seriously injure a person(s).

Electric power supply cables must not show any damage, material fatigue or sediments.

NEVER remove the ground prong from the power cable.

FIXTURE OVERVIEW



1. OLED Menu Control Display
2. Mode/Up/Down/Enter Buttons
3. IP Rated 5pin DMX IN
4. IP65 Power IN
5. IP65 Power OUT
6. IP Rated 5pin DMX OUT
7. Air Valve

BOX CONTENTS

Gel Frame
Gel Frame Holder / Screw Kit
IP65 Power Cable

INSTALLATION INSTRUCTIONS

IP65 RATED

An IP rated lighting fixture is one, which is commonly installed in outdoor environments and has been designed with an enclosure that effectively protects the ingress (entry) of external foreign objects such as dust and water. The **International Protection (IP)** rating system is commonly expressed as "**IP**" (Ingress Protection) followed by two numbers (i.e. IP65) where the numbers define the degree of protection. The first digit (Foreign Bodies Protection) indicates the extent of protection against particles entering the fixture and the second digit (Water Protection) indicates the extent of protection against water entering the fixture. An IP65 rated lighting fixture is one, which has been designed and tested to protect against the ingress of dust (6) and low-pressure water jets from any direction (5).

MARINE/COASTAL ENVIRONMENT INSTALLATIONS

Please note although this fixture is IP rated, the fixture is **NOT** suitable for marine and/or coastal environment installations. Installing this fixture in a marine and/or coastal environment may cause corrosion and/or excessive wear to the interior and/or exterior components of the fixture. Damages and/or performance issues resulting from installation in a marine and/or coastal environment will void the manufactures warranty and will **NOT** be subject to any warranty claims and/or repairs.

OPTIONAL CORROSION-RESISTANT COATING

Optional Corrosion-Resistant Coatings may be available for this fixture. Please contact **Elation Professional** for more details.



FLAMMABLE MATERIAL WARNING

Keep fixture minimum 5.0 feet (1.5m) away from flammable materials and/or pyrotechnics.



ELECTRICAL CONNECTIONS

A qualified electrician should be used for all electrical connections and/or installations.



ENSURE ALL CONNECTIONS AND END CAPS ARE PROPERLY SEALED WITH A NON-CONDUCTIVE DIELECTRIC GREASE (AVAILABLE AT MOST ELECTRICAL SUPPLIERS) TO PREVENT WATER INGRESS/CONDENSATION AND/OR CORROSION.



USE CAUTION WHEN POWER LINKING OTHER MODEL FIXTURES AS THE POWER CONSUMPTION OF OTHER MODEL FIXTURES MAY EXCEED THE MAX POWER OUTPUT ON THIS FIXTURE. CHECK SILK SCREEN FOR MAX AMPS.

INSTALLATION INSTRUCTIONS



DO NOT INSTALL THE FIXTURE IF YOU ARE NOT QUALIFIED TO DO SO!

Fixture **MUST** be installed following all local, national, and country commercial electrical and construction codes and regulations.

Before rigging/mounting a single fixture or multiple interconnected fixtures for custom matrix designs to any metal truss/structure or placing the fixture(s) on any surface, a professional equipment installer **MUST** be consulted to determine if the metal truss/structure or surface is properly certified to safely hold the combined weight of the fixture(s), clamps, cables, and accessories.

Fixture ambient operating temperature range is **14° to 113°F. (-10° to 45°C)**

Do not use the fixture under or above this temperature.

Fixture(s) should be installed in areas outside walking paths, seating areas, or away from areas where unauthorized personnel might reach the fixture by hand.

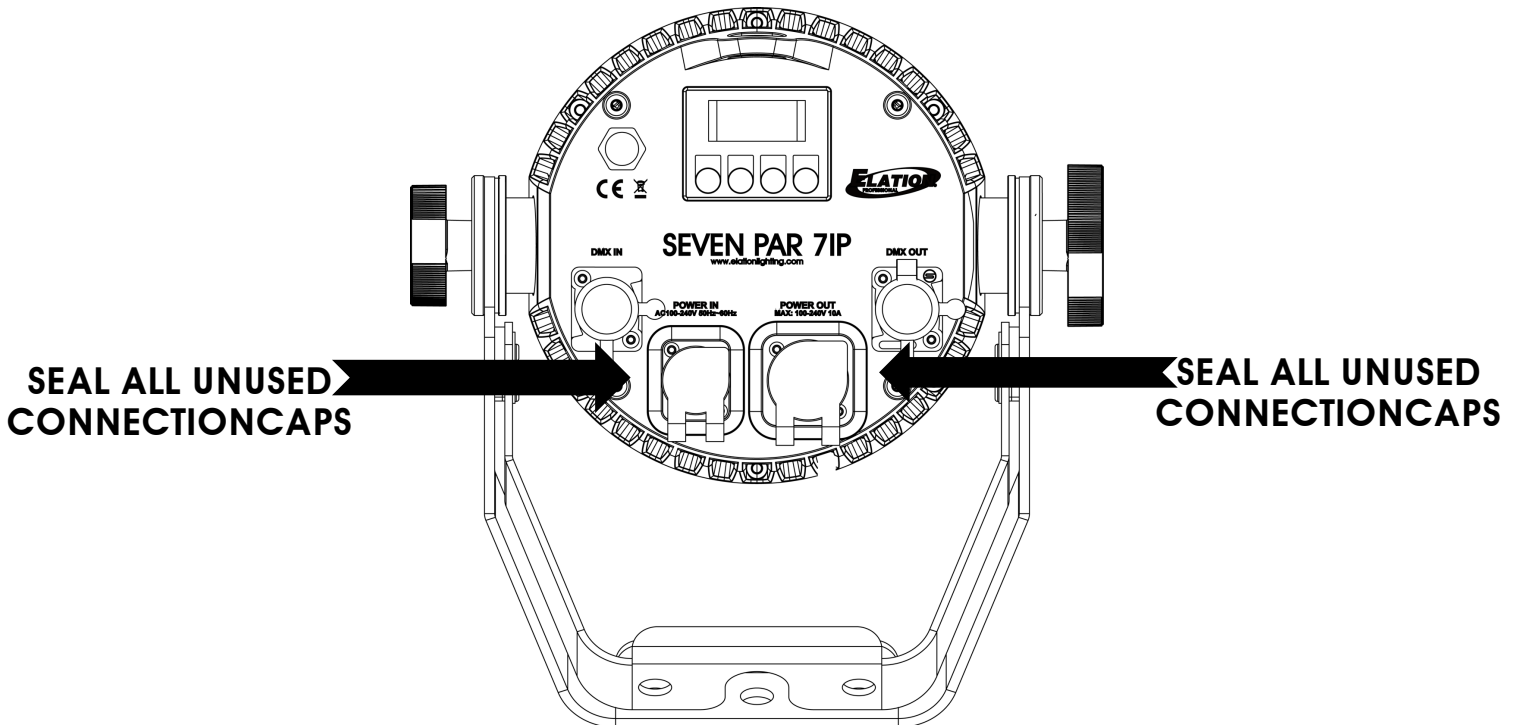
NEVER stand directly below the fixture(s) when rigging, removing or servicing.

Overhead fixture installation must always be secured with a secondary safety attachment, such as an appropriately rated safety cable that can hold 10 times the weight of the fixture.

Allow approximately 15 minutes for the fixture to cool down before serving.



TO MAINTAIN IP65 RATING INTEGRITY AND PREVENT WATER FROM ENTERING FIXTURE, ALL UNUSED CONNECTION RUBBER CAPS MUST BE SEALED.

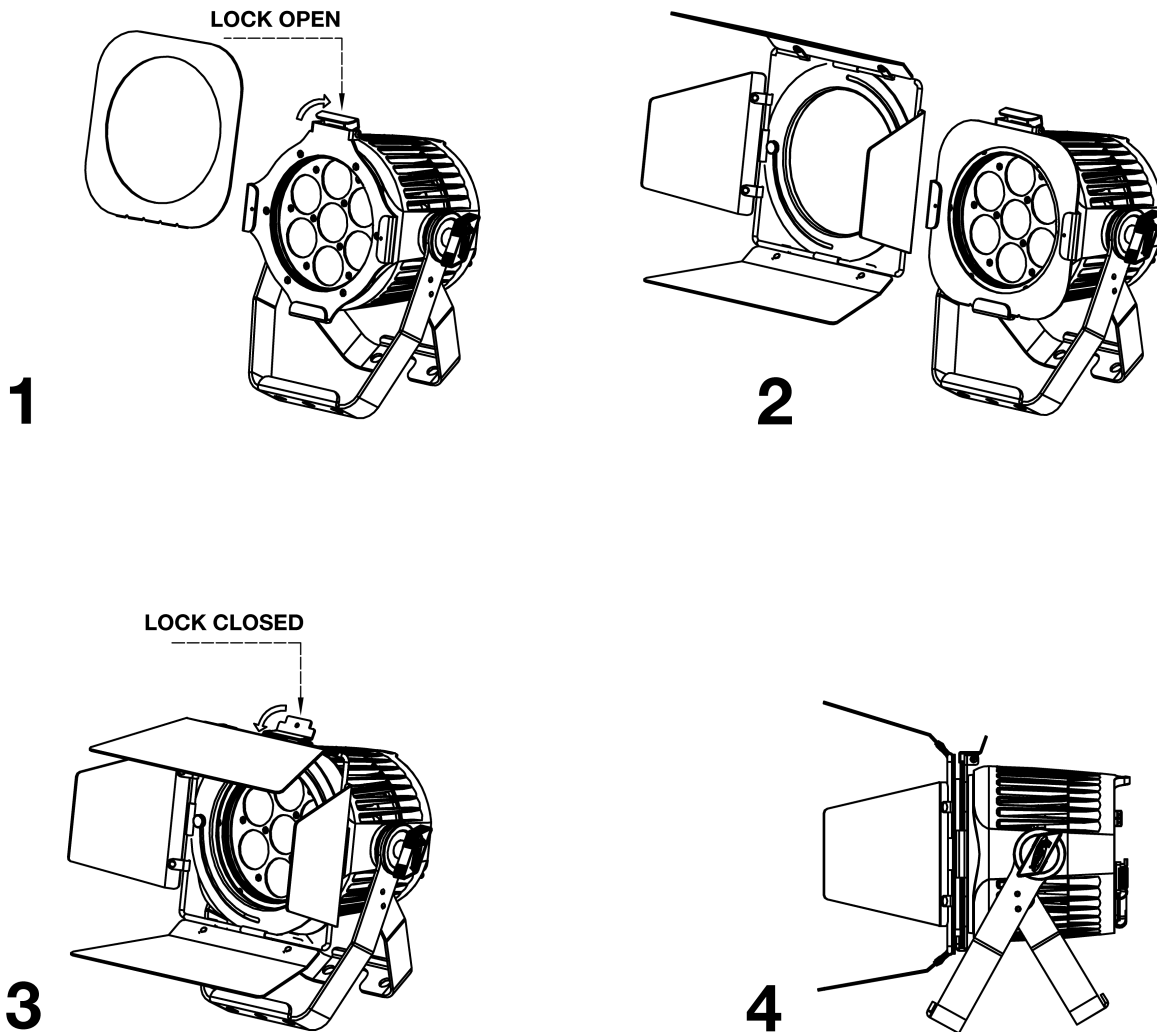


INSTALLATION INSTRUCTIONS

GEL FRAME AND BARN DOORS INSTALLATION

The included **Gel Frame Holder / Screw Kit** must be attached to the fixture in order to attach the included **Gel Frame** and optional **Barn Doors** (sold separately).

The spring-loaded **Gel Frame Holder** lock secures both the **Gel Frame** and **Barn Doors**.



1. Attach **Gel Frame Holder / Screw Kit** to fixture, tightening each screw by hand.

DO NOT OVER TIGHTEN SCREWS!

Insert **Gel Frame** into **Gel Frame Holder** by pushing the lock back and sliding into place.

2. Insert **Barn Doors** into **Gel Frame Holder** by pushing lock back and sliding into place.

Gel Frame (even if not used) must be in **Gel Frame Holder** when using the **Barn Doors**.

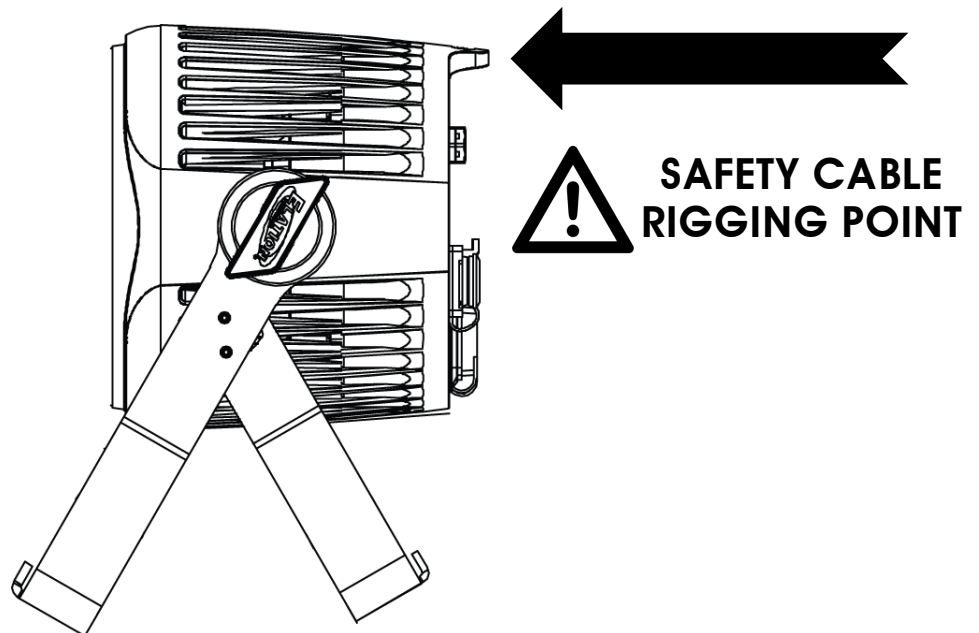
3. Secure **Gel Frame Holder** lock to secure both **Gel Frame** and **Barn Doors** to fixture.

4. Position **Barn Doors** as desired.

INSTALLATION INSTRUCTIONS

CLAMP MOUNTING

This fixture includes an adjustable dual mounting yoke and safety cable rigging point attached to the fixture (see the illustration below). When mounting this fixture to truss, be sure to secure an appropriately rated clamp (not included) to the yoke using an M10 screw and attach a **SAFETY CABLE** to the safety cable rigging point.



OVERHEAD RIGGING

Overhead rigging requires extensive experience, including amongst others calculating working load limits, installation material being used, and periodic safety inspection of all installation material and the fixture. If you lack these qualifications, do not attempt the installation yourself. Improper installation can result in bodily injury and property damage.

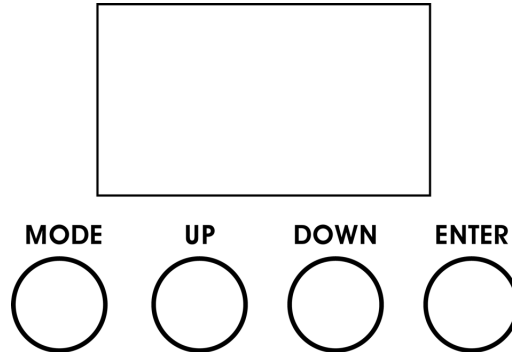
POWER LINKING



USE CAUTION WHEN POWER LINKING OTHER MODEL FIXTURES AS THE POWER CONSUMPTION OF OTHER MODEL FIXTURES MAY EXCEED THE MAX POWER OUTPUT ON THIS FIXTURE. CHECK SILK SCREEN FOR AMX AMPS.

SYSTEM MENU

The fixture includes an easy to navigate system menu. The OLED control panel display (see image below) located on the back of the fixture, provides access to the main system menu and is where all necessary system adjustments are made to the fixture. During normal operation, pressing **MENU** button once will access the fixture's main menu. Once in the main menu you can navigate through the different functions and access the sub-menus with the **UP** and **DOWN** buttons. Once you reach a field that requires adjusting, press the **ENTER** button to activate that field and use the **UP** and **DOWN** buttons to adjust the field. Pressing the **ENTER** button once more will confirm your setting. You may exit the main menu at any time without making any adjustments by pressing the **MENU** button.



LCD CONTROL PANEL LOCKOUT

When **Display** menu is set to **ON**, the LCD display backlight will turn OFF after 30 seconds and the Control Panel will lock and the display will show **LOCKED*******. Press and hold the **MODE** button for 5 seconds to unlock.

When **Display** menu is set to **ON1**, the LCD display backlight will turn OFF after 30 seconds and the Control Panel will lock and the display will show **LOCKED*******. To unlock the Control Panel follow these steps:

1. When locked, the display will show: **LOCKED*******
2. Press **UP**, then the display will change to: **LOCKED****** (one * disappears)
3. Press **DOWN**, then the display will change to: **LOCKED***** (two * disappear)
4. Press **UP**, then the display will change to: **LOCKED**** (three * disappear)
5. Press **DOWN**, then the display will change to: **LOCKED*** (4 * disappear)
6. Press **ENTER**, then the display will change to **LOCKED** and then become unlocked.

SYSTEM MENU

Supports Software Versions: \geq 1.05

Features are subject to change without any prior written notice.

MENU	SUB MENU	OPTIONS / VALUES (Default Settings in BOLD)	DESCRIPTION	
Address	Set ADDR	001 ~ xxx	DMX Address Setting	
Mode		RGB 3CH, RGBSeven 3CH, 8bit 7CH, 16bit 14CH, Master 15CH , HSI 4CH, HSI Mast 10CH	DMX Channel / User Mode	
Function	No DMX	Hold / Black / Program	Function If NO DMX Detected	
	LCD.Set	Display	On / Off	LCD Backlight Shut Off Time
		Key Lock	On / On1 / Off	LCD Buttons Key Lock (see page 13 for details)
		Flash	On / Off	Display flashes when NO DMX
		Inverse	On / Off	Flips LCD Display 180 Degrees
	Temp. C/F	F / C	Temperature Switch Between F°/ C°	
	DimCurve	Standard , Stage, TV, Architec, Theatre, Stage2	Set Dimmer Curve Mode	
	Disp.Set	ADDR, Disp.CH	Select Default Display	
	Gamma	2.0 , 2.2, 2.4, 2.8	Set Gamma Brightness	
Frequen	900Hz , 1000Hz, 1100Hz, 1200Hz, 1300Hz, 1400Hz, 1500Hz, 2500Hz, 4000Hz, 5000Hz, 10kHz, 15kHz, 20kHz, 25kHz	Set LED Refresh Frequency		
Defaults	Reset? / Cancel	Restore Factory Settings		
Program	Speed	1-99	Set Program Speed from Slow (1) to Fast (99)	
	Color	STATIC	Strobe 000- 255 R, G, B, RG, GB, RB, RGB, BLACK	Select Static Color and Shutter/Strobe Value
		CHANG15	Strobe 000- 255	Select 15 Color Program + Shutter/Strobe Value
		CHANG30	Strobe 000- 255	Select 30 Color Program + Shutter/Strobe Value
		FADE	Strobe 000- 255	Select Fade Color Program + Shutter/Strobe Value
	Macros	0-63	Select Color Macro	
Secondry	OFF , SECONDRY	Enable Secondary Mode		
Info	TimelInfo	Current	XXXX (Hours)	Fixture Run Time from Power ON
		Total	XXXX (Hours)	Fixture Total Run Time
		Last	XXXX (Hours)	Fixture Last Run Time
		PassWord	PIN= 050	Enter PIN to Access Clear Last. Menu
		Clear	Off / On	Clear Fixture Last Run Time
	TempInfo	XXX F° / C°	Temperature in Fixture Head	
	Modellnf	SEVEN PAR 7IP	Display Model Name	
	SoftWare	\geq V1.05	Software Versions (greater than or equal to)	
Err.Info	Error Record 1 ~ Error Record 10	Display 10 Recent Error Messages		

Supports Software Versions: ≥ 1.05

Features are subject to change without any prior written notice.

MENU	SUB MENU	OPTIONS / VALUES (Default Settings in BOLD)		DESCRIPTION
Manual		Strobe	000 - 255	Set DMX Values Manually
		Dimmer	000 - 255	
		Red	000 - 255	
		Green	000 - 255	
		Blue	000 - 255	
		Amber	000 - 255	
		White	000 - 255	
		Lime	000 - 255	
		UV	000 - 255	
Calibrat	Password	050		Enter Password to Access Calibration Menu NOTE: ONLY QUALIFIED TECHNICIANS SHOULD PERFORM THIS FUNCTION!

DMX CHANNEL FUNCTIONS AND VALUES

ELATION SEVEN PAR 7IP DMX Channel Values / Functions (15 DMX Channels)								
Supports Software Versions: ≥ 1.05								
Features subject to change without any prior written notice.								
NOTE: ALL SEVEN COLORS USED IN RGBSeven 3CH Mode								
MODE / CHANNEL							VALUE	FUNCTION
RGB 3CH	RGBSeven 3CH	8Bit 7CH	16Bit 14CH	Master 15CH	HSI 4CH	HIS Mast 10CH		
				1		1		SHUTTER / STROBE
							0-31	LED OFF
							32-63	LED ON
							64-95	Strobe Effect SLOW to FAST
							96-127	LED ON
							128-159	Strobe Pulse Effect In Sequences SLOW to FAST
							160-191	LED ON
							192-223	Random Strobe Effect SLOW to FAST
							224-255	LED ON
				2	1	2		MASTER DIMMER / INTENSITY
							0-255	0-100%
				3	2	3		MASTER DIMMER / INTENSITY FINE
							0-255	0-100%
				4		4		DIMMING MODES
							0-20	STANDARD
							21-40	STAGE
							41-60	TV
							61-80	ARCHITECTURAL
							81-100	THEATER
							101-120	STAGE 2
							121-255	DEFAULT TO UNIT SETTING
				5		5		PROGRAM MACROS
							0-19	NO FUNCTION
							20-39	PROGRAM 01
							40-59	PROGRAM 02
							60-79	PROGRAM 03
							80-99	PROGRAM 04
							100-119	PROGRAM 05
							120-139	PROGRAM 06
							140-159	PROGRAM 07
							160-179	PROGRAM 08
							180-199	PROGRAM 09
							200-219	PROGRAM 10
							220-239	PROGRAM 11
							240-255	PROGRAM 12
				6		6		PROGRAM MACRO SPEED
							0-255	Program Macro SPEED SLOW to FAST
				7		7		PROGRAM MACRO FADE
							0-255	Program Macro FADE SLOW to FAST

Supports Software Versions: \geq 1.05

Features subject to change without any prior written notice.

NOTE: ALL SEVEN COLORS USED IN RGBSeven 3CH Mode

MODE / CHANNEL							VALUE	FUNCTION
RGB 3CH	RGBSeven 3CH	8Bit 7CH	16Bit 14CH	Master 15CH	HSI 4CH	HIS Mast 10CH		
								COLOR MACROS
							1-4	Color Macro 01
							5-8	Color Macro 02
							9-12	Color Macro 03
							13-16	Color Macro 04
							17-20	Color Macro 05
							21-24	Color Macro 06
							25-28	Color Macro 07
							29-32	Color Macro 08
							33-36	Color Macro 09
							37-40	Color Macro 10
							41-44	Color Macro 11
							45-48	Color Macro 12
							49-52	Color Macro 13
							53-56	Color Macro 14
							57-60	Color Macro 15
				8		8	61-64	Color Macro 16
							65-68	Color Macro 17
							69-72	Color Macro 18
							73-76	Color Macro 19
							77-80	Color Macro 20
							81-84	Color Macro 21
							85-88	Color Macro 22
							89-92	Color Macro 23
							93-96	Color Macro 24
							97-100	Color Macro 25
							101-104	Color Macro 26
							105-108	Color Macro 27
							109-112	Color Macro 28
							113-116	Color Macro 29
							117-120	Color Macro 30
							121-124	Color Macro 31
							125-128	Color Macro 32

Supports Software Versions: \geq 1.05

Features subject to change without any prior written notice.

NOTE: ALL SEVEN COLORS USED IN RGBSeven 3CH Mode

MODE / CHANNEL							VALUE	FUNCTION
RGB 3CH	RGBSeven 3CH	8Bit 7CH	16Bit 14CH	Master 15CH	HSI 4CH	HIS Mast 10CH		
							129-132	Color Macro 33
							133-136	Color Macro 34
							137-140	Color Macro 35
							141-144	Color Macro 36
							145-148	Color Macro 37
							149-152	Color Macro 38
							153-156	Color Macro 39
							157-160	Color Macro 40
							161-164	Color Macro 41
							165-168	Color Macro 42
							169-172	Color Macro 43
							173-176	Color Macro 44
							177-180	Color Macro 45
							181-184	Color Macro 46
							185-188	Color Macro 47
				8		8	189-192	Color Macro 48
							193-196	Color Macro 49
							197-200	Color Macro 50
							201-204	Color Macro 51
							205-208	Color Macro 52
							209-212	Color Macro 53
							213-216	Color Macro 54
							217-220	Color Macro 55
							221-224	Color Macro 56
							225-228	Color Macro 57
							229-232	Color Macro 58
							233-236	Color Macro 59
							237-240	Color Macro 60
							241-244	Color Macro 61
							245-248	Color Macro 62
							249-252	Color Macro 63
							253-255	Color Macro 64

Supports Software Version: < 1.05
 Features subject to change without any prior notice.

NOTE: ALL SEVEN COLORS USED IN RGBSeven 3CH Mode

MODE / CHANNEL							VALUE	FUNCTION
RGB 3CH	RGBSeven 3CH	8Bit 7CH	16Bit 14CH	Master 15CH	HSI 4CH	HIS Mast 10CH		
					3	9	0-255	HUE - ALL PIXELS 0-100%
					4	10	0-255	SATURATION - ALL PIXELS 0-100%
1	1	1	1	9			0-255	RED - ALL PIXELS 0-100%
			2				0-255	RED FINE - ALL PIXELS 16-bit FINE Adjustment
2	2	2	3	10			0-255	GREEN - ALL PIXELS 0-100%
			4				0-255	GREEN FINE - ALL PIXELS 16-bit FINE Adjustment
3	3	3	5	11			0-255	BLUE - ALL PIXELS 0-100%
			6				0-255	BLUE FINE - ALL PIXELS 16-bit FINE Adjustment
		4	7	12			0-255	WHITE - ALL PIXELS 0-100%
			8				0-255	WHITE FINE - ALL PIXELS 16-bit FINE Adjustment
		5	9	13			0-255	AMBER - ALL PIXELS 0-100%
			10				0-255	AMBER FINE - ALL PIXELS 16-bit FINE Adjustment
		6	11	14			0-255	LIME - ALL PIXELS 0-100%
			12				0-255	LIME FINE - ALL PIXELS 16-bit FINE Adjustment
		7	13	15			0-255	UV - ALL PIXELS 0-100%
			14				0-255	UV FINE - ALL PIXELS 16-bit FINE Adjustment

TECHNICAL SPECIFICATIONS

SOURCE

7x 25W 7-IN-1 RGBAW + Lime + UV LEDs

50,000 Hour Average LED Life*

*May vary depending on several factors including but not limited to:
Environmental Conditions, Power/Voltage, Usage Patterns (On-Off Cycling), Control, and Dimming.

EFFECTS

Seven Color RGB 3 Channel DMX Mode

Hue, Saturation, and Intensity DMX Modes

Internal Programs and Color Macros with Variable Effect Control

Variable Electronic Strobe Effects and Dimming Curve Modes

COLOR

RGBAW + Lime + UV (395nm)

CONTROL / CONNECTIONS

(7) DMX Channel Modes (15 total channels)

DMX and Manual Control

4 Button OLED Menu Control Display

Adjustable Refresh Rate (900-25,000 (Hz)

Adjustable Gamma Brightness (2.0, 2.2, 2.4, 2.8)

RDM (Remote Device Management) Protocol Support

IP Rated 3/5pin DMX In/Out

IP65 Power In/Out

SIZE / WEIGHT

Length: 11.24" (286mm)

Width: 10.71" (272mm)

Vertical Height: 7.36" (187mm)

Weight: 11.0 lbs. (5.0kg)

ELECTRICAL / THERMAL

AC 100-240V - 50/60Hz

185W Max Power Consumption

5°F to 113°F (-15°C to 45°C)

APPROVALS / RATINGS

CE | IP65

Specifications and improvements in the design of this unit and this manual are subject to change without any prior written notice.



FCC STATEMENT

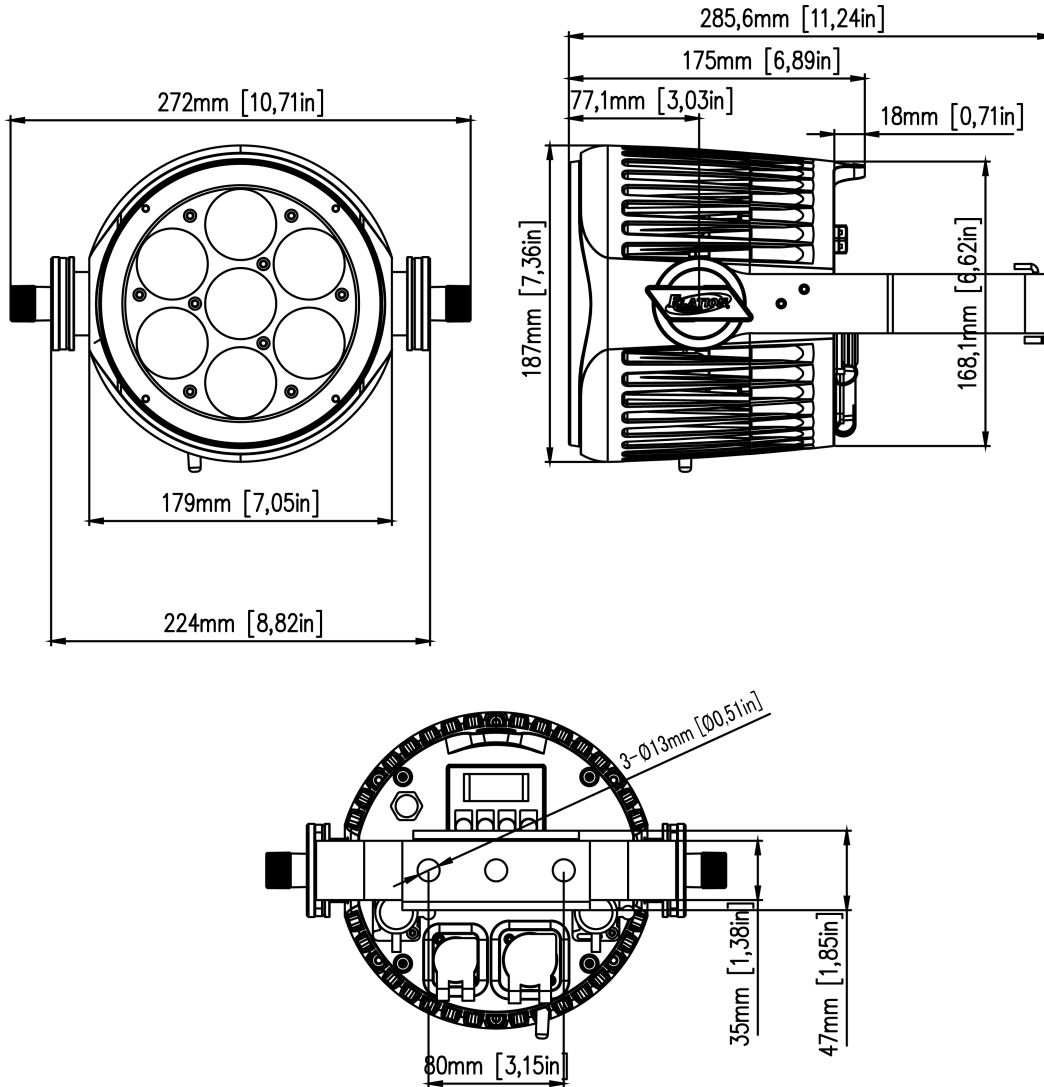
This device complies with Part 15 of the FCC Rules. Operation is subject to the following two conditions: (1) this device may not cause harmful interference, and (2) this device must accept any interference received, including interference that may cause undesired operation.

FCC RADIO FREQUENCY INTERFERENCE WARNINGS & INSTRUCTIONS

This product has been tested and found to comply with the limits as per Part 15 of the FCC Rules. These limits are designed to provide reasonable protection against harmful interference in a residential installation. This device uses and can radiate radio frequency energy and, if not installed and used in accordance with the included instructions, may cause harmful interference to radio communications. However, there is no guarantee that interference will not occur in a particular installation. If this device does cause harmful interference to radio or television reception, which can be determined by turning the device off and on, the user is encouraged to try to correct the interference by one or more of the following methods:

- Reorient or relocate the device.
- Increase the separation between the device and the receiver.
- Connect the device to an electrical outlet on a circuit different from which the radio receiver is connected.
- Consult the dealer or an experienced radio/TV technician for help.

DIMENSIONAL DRAWINGS



Specifications and improvements in the design of this unit and this manual are subject to change without any prior written notice.

OPTIONAL ACCESSORIES

ORDER CODE	ITEM
QUICK RIG CLAMP	Low Profile Quick Release Clamp
SIXPAR/BD100	Barn Door for SEVEN PAR 7IP
STR514	3 ft. (1m) 5pin XLR Cable
NEU088	3 ft. (1m) Power Link Cable
	Additional Cable Lengths Available

