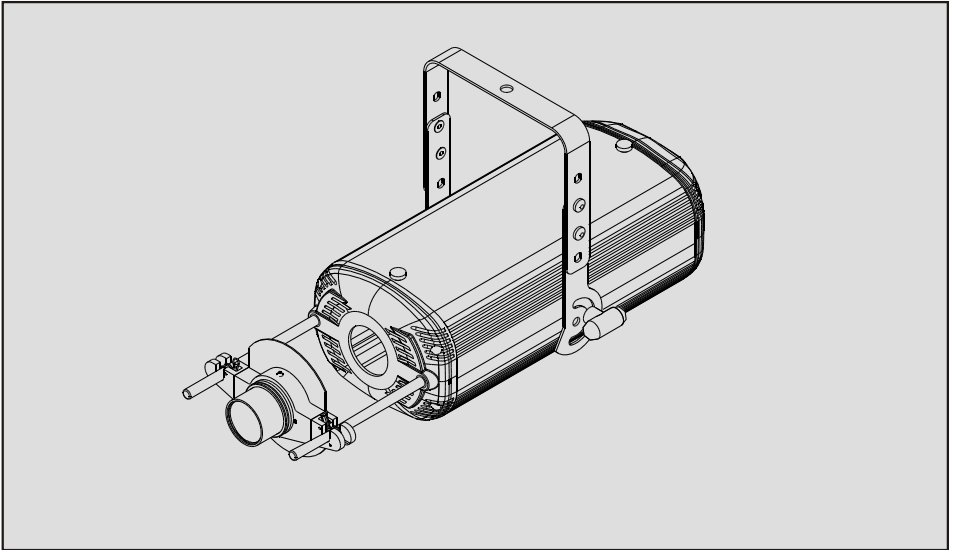




## IMAGE PRO 300



## OWNER'S GUIDE

English Version 2.0

**IMAGE PRO 300**



# General Information

## Unpacking:

*Thank you for your purchase of this product. Every product has been thoroughly tested and carefully packed before delivery. Unpack the shipping carton carefully, saving the carton and all packaging materials for possible later use.*

*Check carefully for sure your product is not damaged and all accessories not missing. If your product appears to be damaged or missing, please do not use it and contact your authorized dealer immediately.*

## Pack Accessory List:

- 300 Watt HTI 300 metal halide lamp
- 1.5 m 3-pin American Plug mains cable with female IEC plug
- Support for lens and effects, standard
- Standard lens (1:2.4 / 100 mm)
- Two electrified guides
- Two bakelite screws
- User's guide

## Safety Instructions:

- This product must be earthed.
- Do not make any inflammable liquids, water or metal objects enter this unit.
- Very hot lamp. Disconnect the power and wait for at least 10 minutes before you can replace the lamp.
- Make sure the fan and the air inlets are clean and not blocked by anything before using.
- Do not operate this unit if the ambient temperature( $T_a$ ) exceeds  $40^{\circ}\text{C}(104^{\circ}\text{F})$ .
- Do not stare directly into the light, as may do harm to your eyes.
- Keep all flammable materials at least 1 meter away from this unit.
- Never operate this unit when its cover is removed.
- Keep this unit out of children.
- Do not dismantle or modify the unit.
- Unplug the fixture from the AC outlet and allow the fixture to cool before any service.

# ***I.S.P. 300***

## *Main Features*

Powerful communication tool to create maximum and lasting visual image

Die-cast and extruded aluminum finish

Forced fan cooling system

Twin lens condenser, spherical reflector and external standard lens(1:2.4/100 mm)

Two electrified guides carry a 24V supply and can accommodate a lens and housings for gobos and colors

Different diameters gobos and filters are optional for static or motorized effects

Thermal cut-out

Micro switch cuts off electricity supply when cover is opened

Provides a wide range of optional effects on request

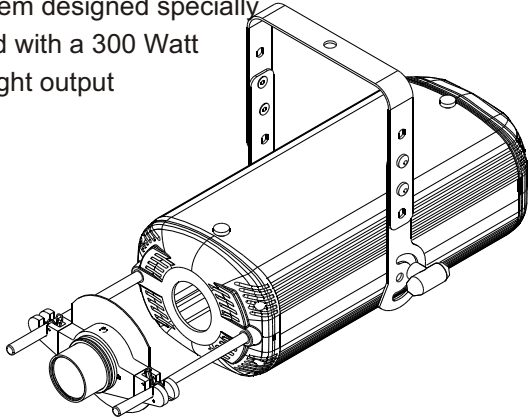
Wide applications: Shop-fittings, Discotheques, Fashion parades, Fairs, Event-marketing, and etc.



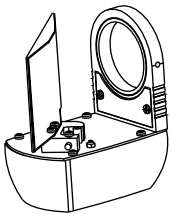
# Introduction

**ImagePro300** is a modular system designed specially for image spot. This spot is fitted with a 300 Watt HTI 300 arc lamp which has a light output of 20,000 lumens at lens.

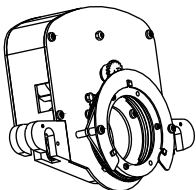
Two low voltage electrified guides(24 V) with short-circuit protection are equipped with this fixture to accept the user's choice of lens unit and optional accessories for different effects and various combinations. The effects can be either static or motorized for stationary and moving images.



## Optional Accessories



( Image-IP3)



( Image-IP2)

## Simple.

This spot is compact, easy to use and entertaining, and the electrified guides makes it extraordinarily simple to mount the effects system.

## Safe.

The low voltage used for the effects eliminates the risk of electric shock. Forced cooling design reduces operating and surface temperature.

## Styling.

The spot is elegantly styled, fit in anywhere and runs quietly over long periods with low operating costs.

# Preparation

## First time setup

1. Unpack the shipping container carefully, assemble the accessories to fit in their right positions for proper attachment.
2. This unit can be hung or placed in any safe, secure surface by means of its adjustable mounting bracket.
3. When you are sure this unit is ready for operation, plug this unit into the appropriate AC outlet.

## **Warning!**

The installation should be done by qualified staff only.

## Lens Focusing

1. Hang the fixture in your final desired position.
2. Loosen the thumb screw fitted in the lens support that hold the lens in place.
3. Adjust the lens by turning it in a clockwise or counter-clockwise direction until you reach proper focus.
4. Tighten the thumb screw after you achieve your desired focus.

## Cleaning

1. Disconnect the fixture from AC power and allow the fixture to cool down completely.
2. Use normal glass cleaner and a soft cloth to wipe down the outside casing and external lens.
3. Use only soft cloth to clean the internal optics.
4. Always be sure to dry all parts completely before plugging in.

# Lamp Replacement

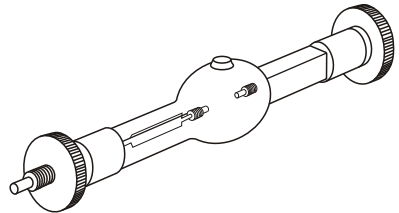
## Metal Halide Lamp Warning!

This fixture is fitted with a metal halide lamp which is highly susceptible to damage if improperly handled. Do not touch the bulb of the lamp with bare fingers (this can cause damages). The lamp contains small quantities of materials that will be harmful to the environment, please dispose of the damaged lamp properly.

### To replace the lamp

1. Disconnect the fixture from power and allow the lamp to cool.
2. Loosen the two knurled screws and remove the top cover.
3. Loosen the 2 thumb screws from the lamp socket.
4. Gently take the old lamp out.
5. Replace the new lamp and refit the 2 thumb screws.
6. Put in the new lamp securely into the socket. Please note the protuberance of bulb shall be upward orientation to obtain equal intensity distribution (see figure).
7. Tighten the 2 thumb screws and reassemble in reverse order.

Remember always replace with the same type lamp and fuse.



# Fuse Replacement

1. Disconnect the fixture from power.
2. With a flat screwdriver wedge the fuse holder out of its housing.
3. Remove the old fuse from the holder and replace with the exact same type fuse.
4. Replace the fuse holder in to the fuse holder housing.
5. Reconnect main power.

# Operation Guide

This is a High-Tech product. When you are sure you have set up this unit properly, you can operate this unit freely.

1. Always be sure to mount this unit in the area that will allow proper ventilation.
2. Check that the local power outlet match that of the required voltage of your unit.
3. Plug this unit into the AC power outlet, turn the switch on.
4. The lamp will be lit and the cooling fan will start immediately.

## **Important!**

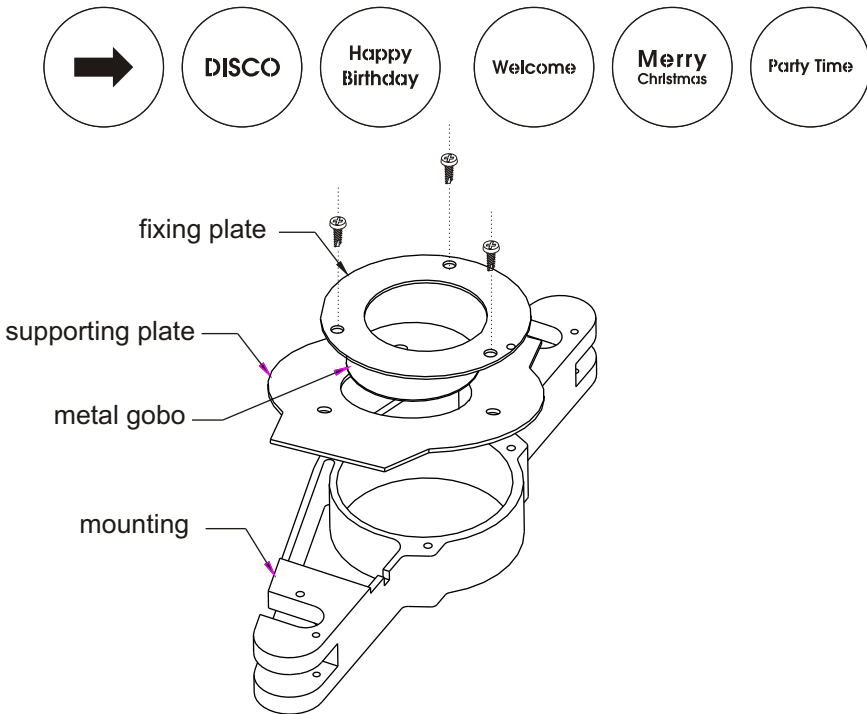
Never disconnect or reconnect the power frequently during operation, this will shorten the lamp life.

Wait at least 10 minutes to cool down the lamp completely before restarting this unit. (the warm lamp will cause the igniter holding the lamp in a glow state.)

# Fixed Gobo Holder & 6 Metal Gobos

The ImagePro-300 comes with a fixed gobo holder and 6 metal gobos. These 6 metal gobos are illustrated as follows:

(Dia. 51.5 mm)

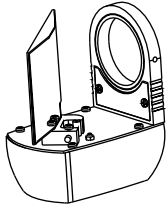


## **Gobo pattern & Image**

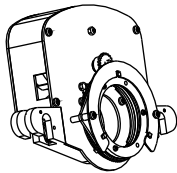
The mirror on the wall, floor etc. is subject to the gobo pattern. Please note the gobo pattern should be inverted so that the image can be acceptable.

# Accessories and Effects

The ImagePro-300 is specially designed to meet the demand for clarity of images in a wide variety of applications including exhibitions, retail environments, leisure, promotions and entertainment venues.



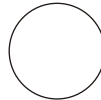
Model No.: Image-IP3  
Adjustable pivoting mirror  
(Sold separately)



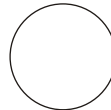
Model No.: Image-IP2  
Rotating/ Static gobo holder  
(Sold separately)



Rotating gobo:  
dichroic/photographic  
(diam. 51.8 mm)



Rotating gobo: metal  
(diam. 66 mm)



Static gobo: metal  
(diam. 66 mm)

The Image-IP2 is a delicate design , it can use a single rotating gobo or the combination of rotating gobo with static gobo for different effects. Thanks to the use of standard-sized gobos, customer can also purchase gobos from other manufactures.

By using several accessories together, you can create more special effects. Image-IP2 and Image-IP3 are standard accessories for your options, compatible with variety of projectors by different companies. Upon your request, we can provide more accessories for more effects.

## Technical Specifications

<b>Overall Size:</b>	600x240x290mm (Dimensions with bars and brackets)
<b>Net Weight:</b>	10.3Kg
<b>Standard Lens:</b>	1:2.4 / 100 mm
<b>Lamp Type:</b>	300 Watt HTI 300 metal halide lamp
<b>Lamp Base:</b>	SFc 10-4
<b>Norminal Lamp Life:</b>	750 hours
<b>Total Lumen Output:</b>	Approximately 20,000
<b>Color Temperature:</b>	6500 K
<b>Mains Supply:</b>	AC 100-120V~50/60Hz
<b>Power Outlet:</b>	Chassis male IEC socket
<b>Power Consumption:</b>	450 Watts maximum
<b>Fuse(fast acting)</b>	F6A 250V 5x20mm
<b>Cooling:</b>	Forced air ventilation with axial fan
<b>Accessories(optional):</b>	Adjustable pivoting mirror(ISP-1) Rotating /Static gobo holder(ISP-2)

\*\*\*\*\*

All rights reserved. Improvement and changes to specifications, design and this user's manual, may be made at any time without prior notice.



24-004-0779