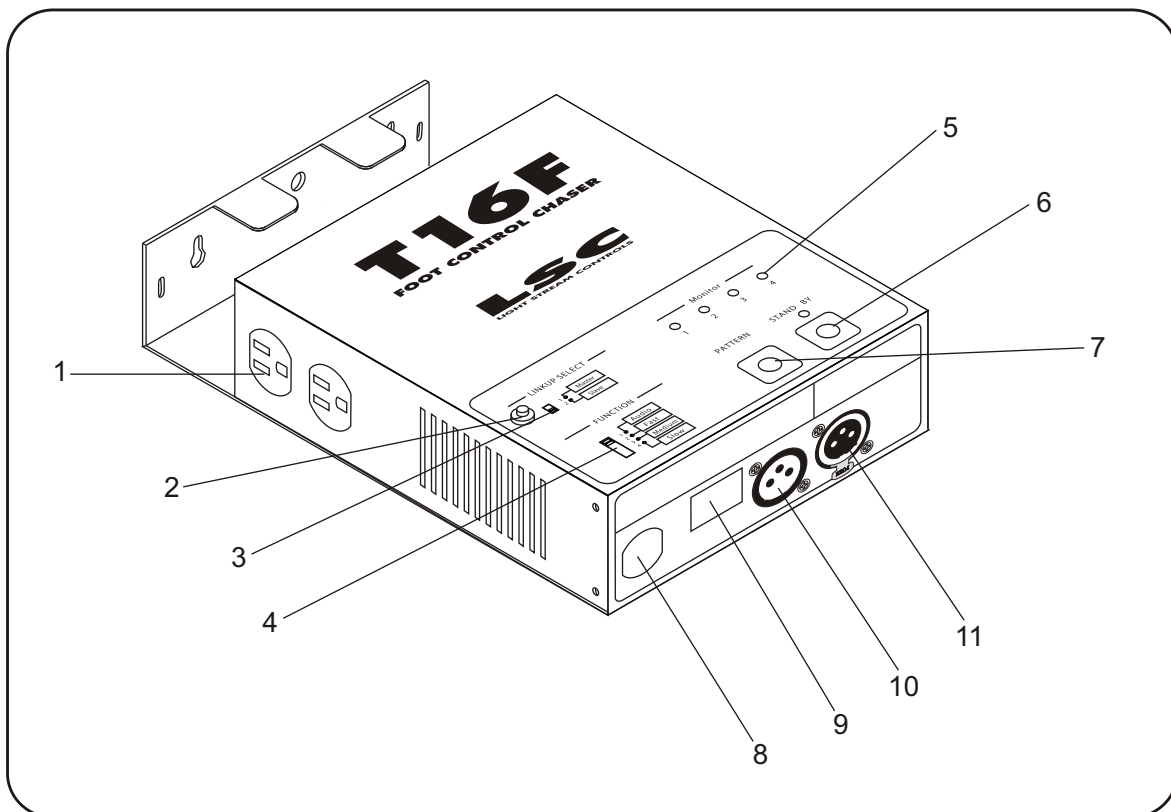


User Instructions

Product Descriptions

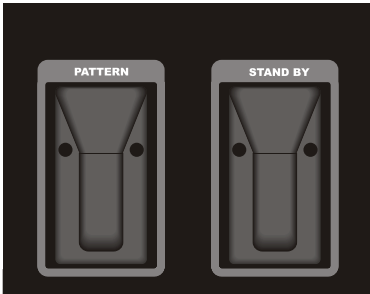
This is a 4 channels foot control chaser, features 17 built-in chase patterns and 7 fixed scenes, each pattern has four operating modes: Audio, Fast, Medium and Slow. When linkup, this unit can be used as either a Master or Slave. A DMX controller or a foot controller (supplied) can be used to control this unit after proper connection.

Control & Functions



1. Channel Output: 5A/CH., Total 15A max.
2. Circuit Breaker: 15A
3. Linkup Selector: Move this slider to select between Master and Slave.
4. Function Selector: This slider is used to select Audio/Fast/Medium/Slow mode for the patterns.
5. Channel LEDs: These LEDs indicate the intensity of corresponding channel or activity of the pattern or scene.
6. Stand By Button: This button serves several functions. In Master mode, tap this button to activate or deactivate Stand By (its LED flashes when Stand By is active). Pressing this button for three seconds can activate 17 chase patterns or 7 fixed scenes. When chase patterns are activated, each tap of Pattern button will select a chase pattern. When the scenes are activated, each tap of Pattern button will forward a scene step by step.
7. Pattern Button: In Master mode, use this button to select chase pattern or scene.

- 8. Power Cable: AC 120V~60Hz, 15 A max.
- 9. Power Switch: Press to turn on/off the power.
- 10. DMX In: In Master mode, this connector can be plugged in a foot controller(supplied) for remote control. In DMX mode, this connector is used to receive an incoming DMX signal from either a DMX controller or DMX output(11) on another unit.
- 11. DMX Output: This connector can be used to link to next unit.



Accessory(supplied)

About the accessory:

The Foot Controller incorporating a 3-pin female XLR connector is specially designed for cable remote control of the T16F. When the T16F is in Master mode, it serves as the two buttons: Pattern and Stand by on the T16F, has the same functions and operations.

Technical Specifications:

Power Input	AC 120V~60Hz, 15A max.
Channel Output	5A/CH., Total 15A
DMX In	3 pin XLR male socket
DMX Out	3 pin XLR female socket
Protection	15 A Circuit Breaker
Accessory(supplied)	Foot Controller x1 PC
Dimensions	220x155x60mm
Weight	1.6Kg

Product Instructions:

- I. Master mode: Slide Linkup selector(3) to "Master", this unit will serve as a Master, you can use this unit directly or by a foot controller(sold separately). By linkup function, several unit can be linked together and controlled by the Master.(There is only a Master in the linkup.)
- II. Slave mode: Slide Linkup selector(3) to "Slave", this unit will serve as a Slave, all function buttons on this unit will be disabled and this unit will be controlled by the Master unit when available.
- II. DMX mode: Be sure the Linkup selector is in "Slave" position. Connect this unit with a DMX controller, this unit will be controlled by the DMX controller. DMX value 0-9 of DMX channel 1 activates Stand By, DMX value 10-249 leads to any of 7 scenes or 17 chase patterns. When the DMX value of channel 1 is among 250-255, this unit will act as a 4 channel dimmer pack and the start channel is the 2nd DMX channel.
- IV. Stand By: Tap Stand By button(6) to activate Stand By, its LED flashes indicating Stand By is active, which will kill all output momentarily. The second tap of Stand By will deactivate this function.
- V. Full On: Keep pressing Pattern and Stand By buttons at a time, Full On will be activated, all output will be brought to full intensity. Release these two buttons to leave.

Operating DMX controller:

To smoothly operate this unit using the DMX channel 1 of the DMX controller, please refer to the following table:

DMX Value	Function on T16F
0-9	Stand by
10-19	Scene 1
20-29	Scene 2
30-39	Scene 3
40-49	Scene 4
50-59	Scene 5
60-69	Scene 6
70-79	Scene 7

DMX Value	Function on T16F
250-255	4 channel dimmer pack

DMX Value	Function on T16F
80-89	Pattern 1
90-99	Pattern 2
100-109	Pattern 3
110-119	Pattern 4
120-129	Pattern 5
130-139	Pattern 6
140-149	Pattern 7
150-159	Pattern 8
160-169	Pattern 9
170-179	Pattern 10
180-189	Pattern 11
190-199	Pattern 12
200-209	Pattern 13
210-219	Pattern 14
220-229	Pattern 15
230-239	Pattern 16
240-249	Pattern 17

NOTE:

1. When the 1st DMX channel is set to 0-9, the T16F will be in Stand by mode.
2. When the 1st DMX channel is set to 250-255, the T16F will serves as a 4 channel dimmer pack, and the start channel will be the 2nd channel.

WARNING!

This Product must be earthed.

Disconnect power cable before opening.

To prevent fire or shock hazard, do not expose this product to a high temperature or high humidity area.

Caution! No user serviceable parts inside, do not attempt repairs. In the event your unit should fail, please contact your authorized dealer.