

Design Spot 575E Dimensions

The Design Spot 575E by Elation Professional is an intelligent moving head spot and wash in one featuring full color mixing with CMY flag system plus a color wheel with 8 static dichroic color filters and 2 gobo wheels one with 6 rotating/indexing gobos and another with 6 static gobos with continuous, variable speed of each wheel scrolling in both directions. Additional features include variable frost, rotating 3facet prism, iris, zoom, focus, dimmer, shutter and animation effect wheel. The unit is available in black or white casing and is powered by Philips MSR 575/SA2DE discharge lamp providing up to 1,000 hours estimated lamp life. Rated at IP20 this unit is designed for indoor applications only and can operate from a user selectable 98 - 240v AC via the internal electronic power supply. Control data input is via 3 pin or 5 pin DMX data first in and out connections. This unit provides a unique omega clamp mounting bracket assembly that integrates the hanging yoke as well as the safety cable rigging point in one and includes 2 x 1/4 turn Omega clamps.

FEATURES

- 575W CMY moving head hybrid
- 8 Dichroic filters, 7 color, UV + White
- 2 gobo wheels, 12 total gobos, 6 metal, 6 glass
- 1 rotating animation wheel
- 3-facet rotating/indexing prism
- Both directions at variable speeds
- Macro-function for rotating gobos/rotating prism combinations
- Variable Frost Control
- Hard edge to soft edge
- Beam narrow to wide (5% - 100%)
- High output luminous-parabolic dichroic reflector
- Automatic Pan / Tilt position correction
- Maximum PAN-movement 630° in 2.0 secs (default) or 540° (user selectable) / 16 bit
- Maximum TILT-movement 265° in 1.5 secs / 16 bit
- Pre-set variable/random strobe and dimming pulse effect
- Vector Mode with blackout
- Motor driven focus from near to far
- All lenses are anti-reflection coated
- Sound active mode
- 29,700 lux @ 2.5M
- DMX control via 24 channels
- 32-Character LCD display
- On board menu settings
- Available in black or white case

TECHNICAL SPECIFICATIONS

- **DMX Channels:** 24 DMX Channels, RDMX - Remote DMX Addressing
- **Control:** USITT DMX-512 (16-bit resolution), 3 pin XLR serial input/output
- **Dimmer:** Dual Flag mechanical dimming system
- **Strobe:** Variable speed strobe effect (1-13) flashes per second
- **Zoom:** 15° - 30° linear zoom
- **Iris:** small to large and large to small, variable speed iris macros
- **Power supply:** AC 98 - 240V 50/60Hz (user selectable)
- **Power consumption:** 700W
- **Fuse:** 10A 250V Electronic Ballast
- **Lamp:** Philips MSR 575/2 SADE
- **Lamp life:** 575W, 7500°K, 1000 HRS
- **Dimensions:** (LxWxH) 18.70" x 14.37" x 24.41" / 474.98mm x 365mm x 620mm
- **Weight:** 63.8 lbs. / 29 kg
- **Rigging:** 2 x 1/4 turn omega brackets
 - 1 x safety cable
 - 1 x data cable

RDMX
REMOTE DMX ADDRESSING

POWERED BY
PHILIPS



Design Spot 575E

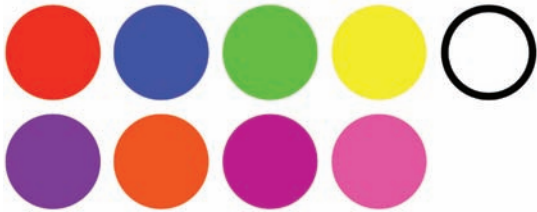


COLORS / GOBOS

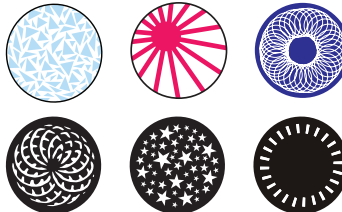
- Full Color mixing with CMY flag system
- 8 Dichroic filters, 7 color, UV + White
- Continuous, variable speed, color scrolling in both directions (rainbow effect)
- More color combinations possible by overlaying the multi-color dichroic gobo and the colors on the color wheel
- 2 gobo wheels, 12 total gobos, 6 metal, 6 glass
- 6 interchangeable, index able, rotating gobos plus open
- Metal Gobo Size: 26.9mm outside diameter, 23mm image diameter
- Glass Gobo Size: 26.7mm outside diameter, 23mm image diameter
- Gobo Overlay (Gobo Morphing)



COLORS



GOBO WHEEL 1



GOBO WHEEL 2

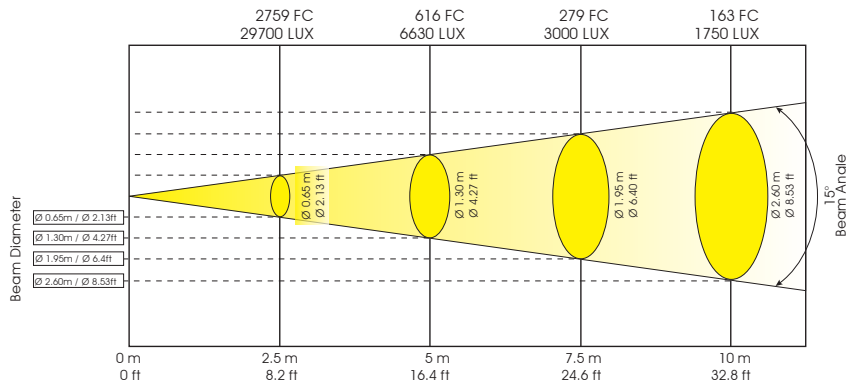


PHOTOMETRICS

Design Spot 575E Photometric Beam Angle Data

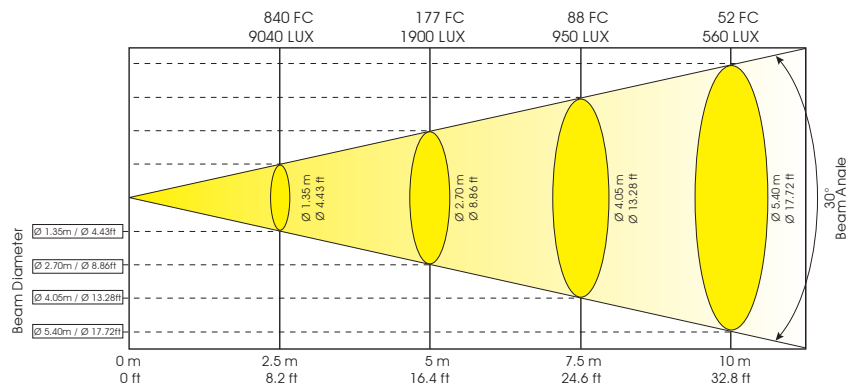
Minimum Beam Angle 15°

LUX × 0.0929 = FC



Maximum Beam Angle 30°

LUX × 0.0929 = FC



Design Spot 575E



DMX TRAITS

- Channel 1 - Pan movement 8bit
- Channel 2 - Pan fine 16bit
- Channel 3 - Tilt movement 8bit
- Channel 4 - Tilt fine 16bit
- Channel 5 - Color wheel
- Channel 6 - Cyan color wheel
- Channel 7 - Magenta color wheel
- Channel 8 - Yellow color wheel
- Channel 9 - Gobo wheel 1 - rotating gobos
- Channel 10 - Gobo wheel 1 - indexing, rotation
- Channel 11 - Gobo wheel 2 - rotating gobos
- Channel 12 - Rotating gobo index, rotating gobo rotation
- Channel 13 - 3 facet rotating prism, prism / gobo macros
- Channel 14 - Focus
- Channel 15 - Variable zoom - seamless
- Channel 16 - Shutter, strobe
- Channel 17 - Dimmer (intensity)
- Channel 18 - Iris
- Channel 19 - Frost
- Channel 20 - Animation wheel, rotating fire wheel
- Channel 21 - Speed of CMY and dimmer
- Channel 22 - Color macros - CMY and color wheel
- Channel 23 - Speed pan/tilt movement
- Channel 24 - Lamp on/off, reset, internal programs

Product Order Code	Description
Design Spot 575E	575W CMY moving head hybrid (black case)
Design SPot 575E WH	575W CMY moving head hybrid (white case)
Accessories Order Code	Description
DRC-700	Road case for Design Spot 575E