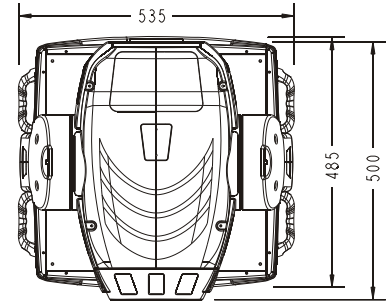
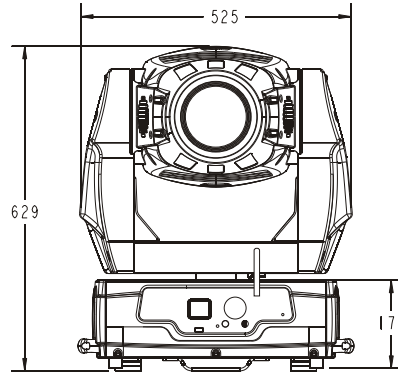


Design Spot 1400E



Design Spot 1400E Dimensions

The Design Spot 1400E (DS1400E) by Elation Professional is an intelligent CMY moving head spot featuring full color mixing with the CMY flag system plus a color wheel with 8 static dichroic color filters (including ctc, ctb plus white). The DS1400E has 2 gobo wheels each equipped with 5 indexing, interchangeable, rotating “quick snap” gobos plus open featuring gobo overlay. Additional features include variable frost, rotating 3-facet, 5-facet, infinity-facet, rotating/indexing prisms, iris, zoom, focus, dimmer, shutter and animation effect wheel. The unit is available in black casing and features modular internal construction. The DS1400E is powered by Phillips MSR 1200 SA/SE FAST FIT discharge lamp providing up to 1,000 hours estimated lamp life. Rated at IP20 this unit is designed for indoor applications only and can operate from a 208-240V AC, 50/60HZ. Control data input is via 3 pin or 5 pin DMX data first in and out connections. This unit includes 2 x 1/4 turn Omega clamps, 4 x M-10 threaded holes for clamps, 1 x safety cable, 3-pin data cable and DS1400 single unit road case.

FEATURES

- 1400W CMY moving head
- Full color mixing with CMY flag system
- Interchangeable color filters, 6 dichroic color filters ctc, ctb + white, split colors
- Continuous, variable speed, color scrolling in both directions (rainbow effect)
- More color combinations possible by overlaying the multi-color dichroic gobo and the colors on the color wheel
- Gobo-wheel 1: 5 exchangeable, rotating quick-snap gobos plus “open”
- Gobo-wheel 2: 5 exchangeable, rotating quick-snap gobos plus “open”
- Gobo outside diameter 37.5 mm, image size 31 mm
- Gobo thickness: glass = 1.1 - 3.0 mm, steel = 0.3 mm
- Gobo overlay (gobo morphing)
- 1 Variable speed replaceable rotating animation wheel
- 3 Prisms included
- 3-Facet, 5-facet, infinity-facet rotating/indexing prisms
- Both directions at variable speeds
- Macro-function for rotating gobos/rotating prism combinations
- Variable frost control, hard edge to soft edge
- Iris beam narrow to wide (5% - 100%)
- Variable speed iris macros
- Iris pulse effect small to large and large to small
- Automatic pan / tilt position correction
- Pan-movement 630°/540° 16-bit resolution
maximum tilt-movement 265s° 16-bit resolution
- Pre-set variable/random strobe and dimming pulse effect
- Motor driven focus from near to far
- High output luminous-dichroic glass reflector
- 12° - 32° linear zoom
- All lenses are anti-reflection coated

- 7300 Lux @ 10m
- DMX control via 25 channels
- EWDMX receiver (wireless dmx solutions)
- Full color LCD display
- On board menu settings
- Sound active mode - built-in mic
- Lamp on/off
- Modular internal construction 1/4 turn removable lid
1/4 turn lamp replacement

TECHNICAL SPECIFICATIONS

- **DMX Channels:** 25 DMX Channels, RDMX - Remote DMX Addressing
- **Control:** USITT DMX-512 (16-bit resolution), EWDMX Receiver (Wireless DMX Solutions) 3-pin & 5 pin XLR Serial Input/Output
- **Dimmer:** Dual Flag Mechanical Dimming System 0%-100%
- **Strobe:** Variable speed strobe effect (1-10) flashes per second
- **Zoom:** 12° - 32° linear zoom
- **Iris:** Beam Narrow to Wide (5% - 100%)
- **IP Rating:** IP 20
- **Power supply:** AC 208-240V 50/60Hz
- **Power consumption:** 1500W
- **Fuse:** 20A 250V Electronic Ballast
- **Lamp:** Phillips MSR 1200 SA/SE FAST FIT (discharge)
- **Lamp life:** 1400W, 6,200°K, 1000 HRS 110,000 lumens, base: G22 (Medium Bi-Post)
- **Dimensions:** (LxWxH) 19" x 14" x 29" / 482.6 x 355.6 x 736.6 mm
- **Weight:** 114 lbs. / 52 kgs.
- **Rigging:** 2 x 1/4 turn omega brackets, 4 x M-10 threaded holes for clamps, 1 x safety cable, 1 x data cable & DS1400 single unit road case included

RDMX
REMOTE DMX ADDRESSING

POWERED BY
PHILIPS

Design Spot 1400E

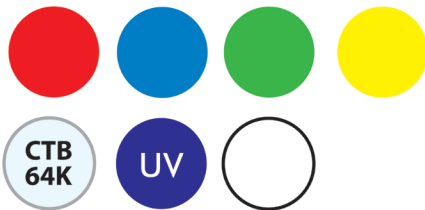


COLORS / GOBOS

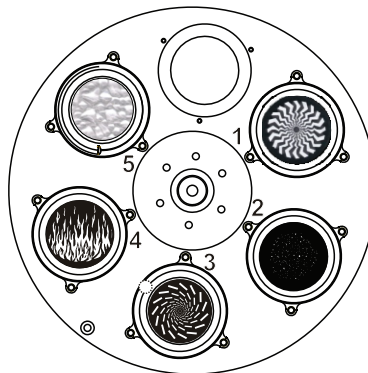
- Full color mixing with CMY flag system
- Interchangeable color filters, 6 dichroic color filters etc, ctb + white, split colors
- Continuous, variable speed, color scrolling in both directions (rainbow effect)
- More color combinations possible by overlaying the multi-color dichroic gobo and the colors on the color wheel
- Gobo-wheel 1: 5 exchangeable, rotating quick-snap gobos plus "open"
- Gobo-wheel 2: 5 exchangeable, rotating quick-snap gobos plus "open"
- Gobo outside diameter 37.5 mm, image size 31 mm
- Gobo thickness: glass = 1.1 - 3.0 mm, steel = 0.3 mm
- Gobo overlay (gobo morphing)



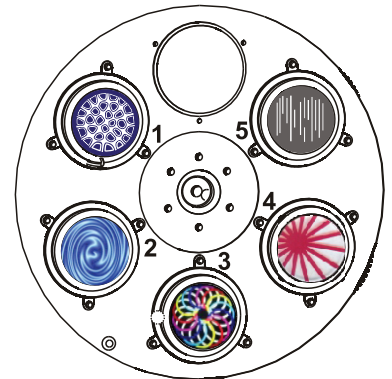
COLORS



GOBO WHEEL 1



GOBO WHEEL 2

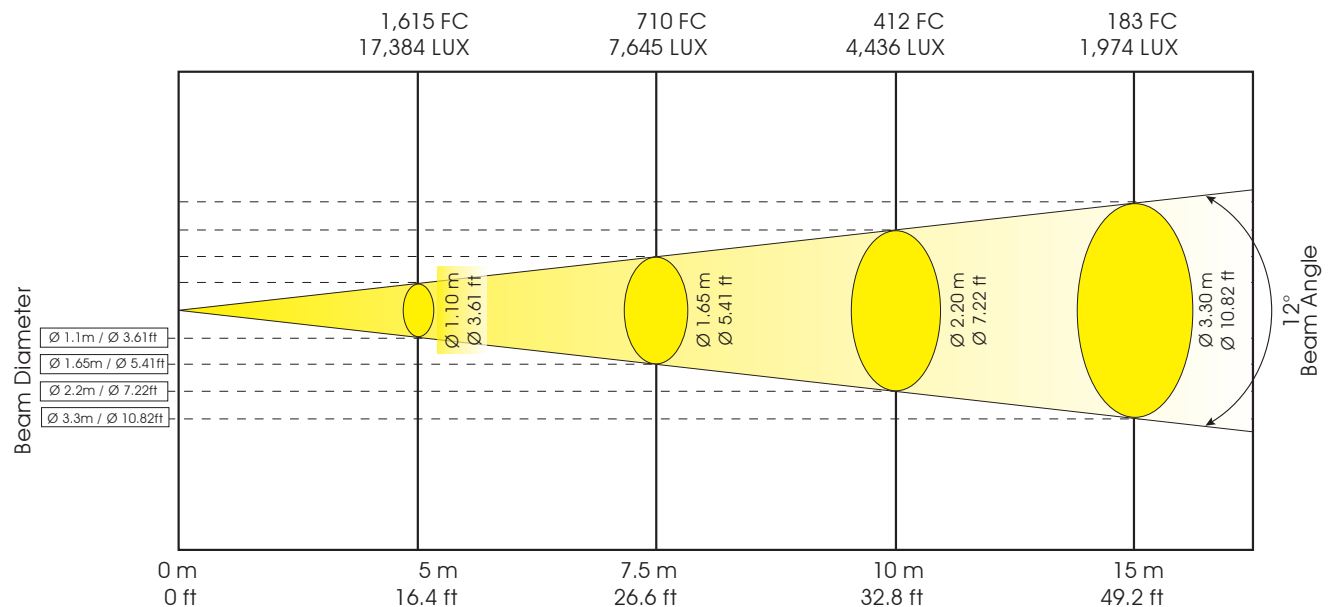


PHOTOMETRICS

Design Spot 1400E Photometric Beam Angle Data

Minimum Beam Angle 12°

LUX x 0.0929 = FC



Design Spot 1400E



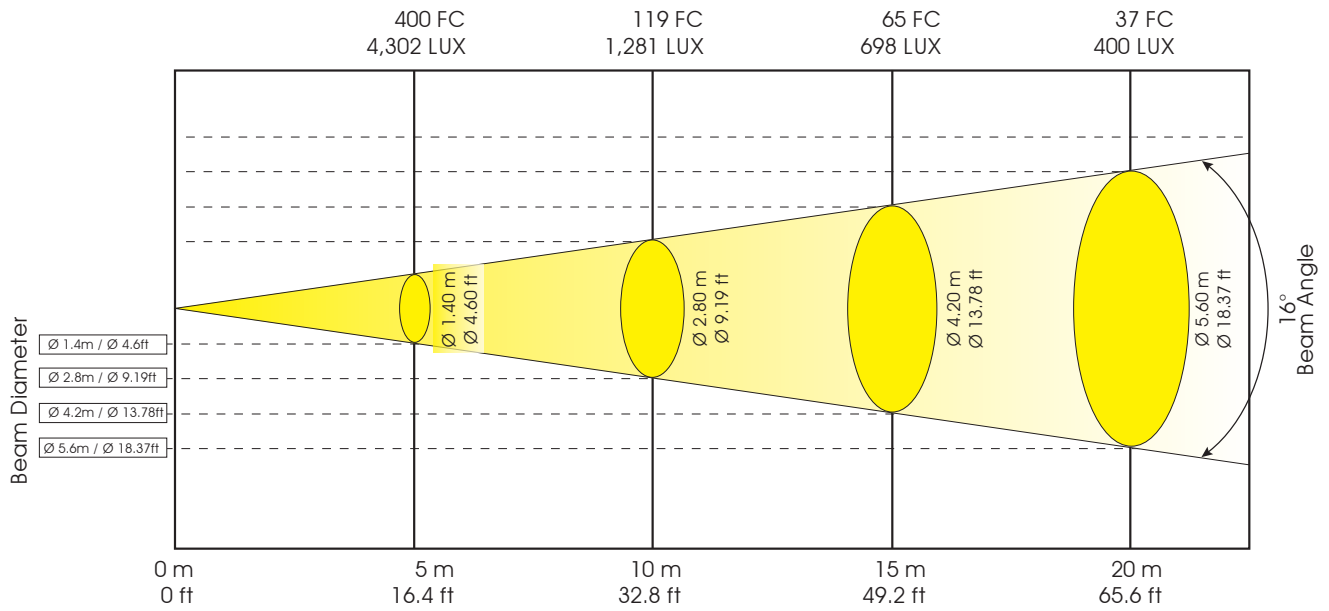
PHOTOMETRICS

Design Spot 1400E

Photometric Beam Angle Data

Minimum Beam Angle With Frost 16°

LUX x 0.0929 = FC

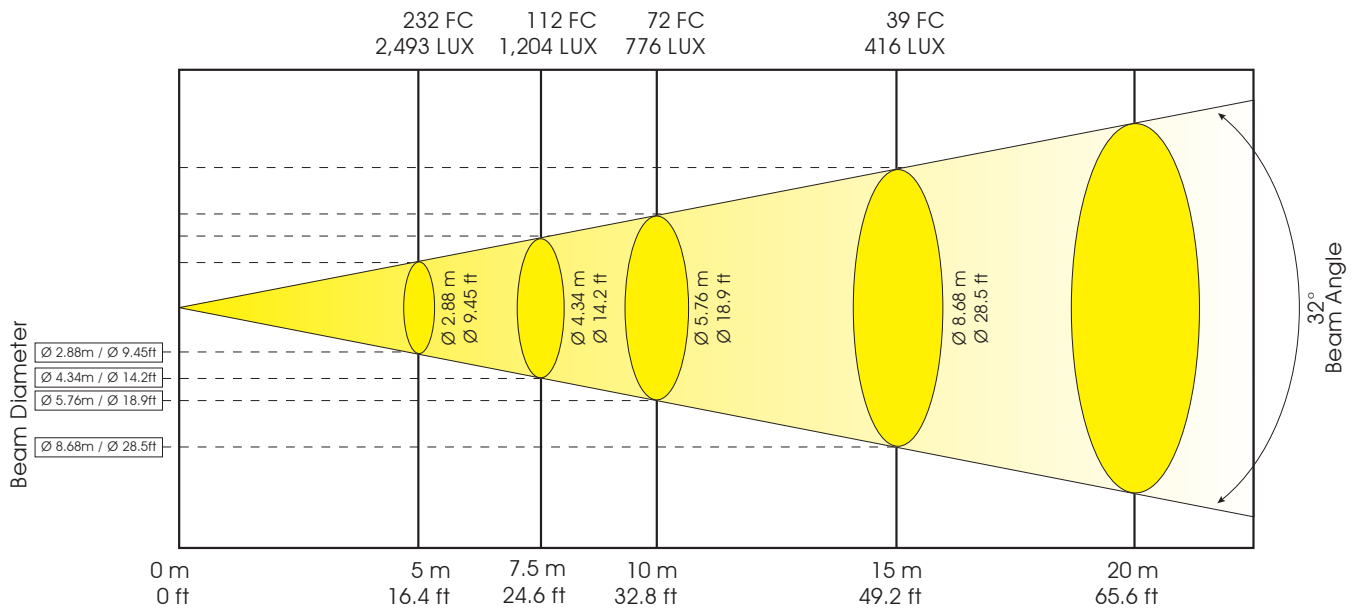


Design Spot 1400E

Photometric Beam Angle Data

Maximum Beam Angle 32°

LUX x 0.0929 = FC



Design Spot 1400E

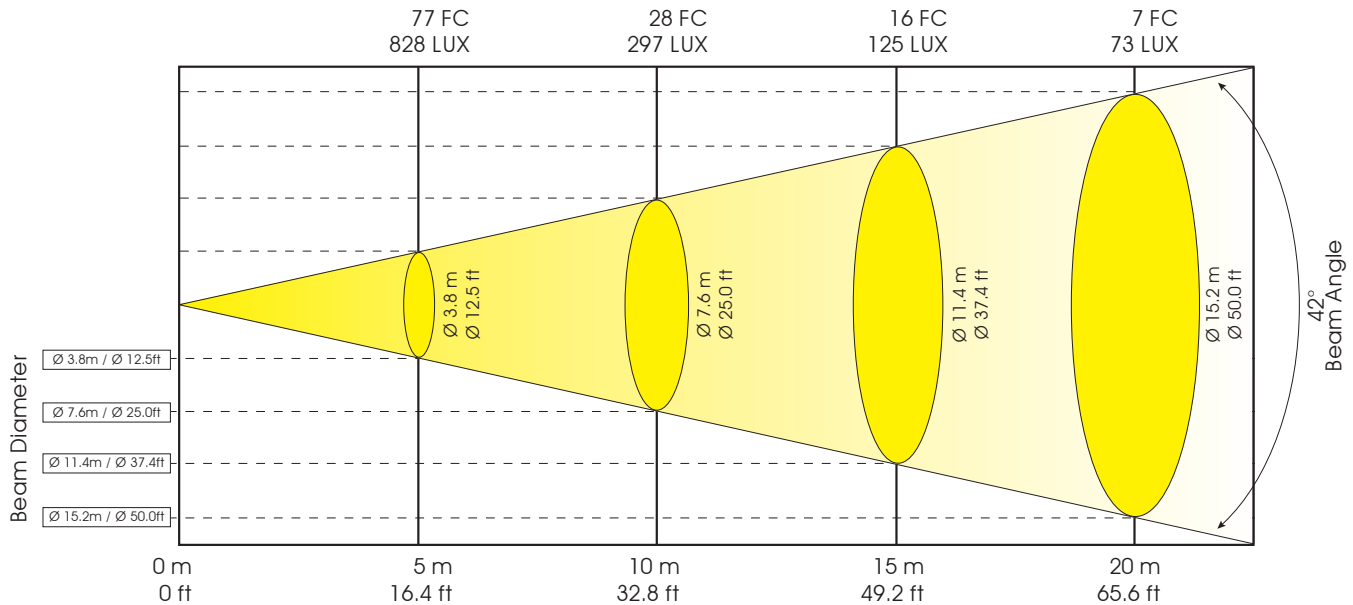


PHOTOMETRICS

Design Spot 1400E Photometric Beam Angle Data

Maximum Beam Angle With Frost 42°

LUX x 0.0929 = FC



DMX TRAITS

- Channel 1 - Pan movement 8bit
- Channel 2 - Pan fine 16bit
- Channel 3 - Tilt movement 8bit
- Channel 4 - Tilt fine 16bit
- Channel 5 - Color wheel
- Channel 6 - Cyan color wheel
- Channel 7 - Magenta color wheel
- Channel 8 - Yellow color wheel
- Channel 9 - CTO color wheel
- Channel 10 - Rotating gobos, cont. rotation 1
- Channel 11 - Rotating gobo index, rotating gobo rotation 1
- Channel 12 - Rotating gobos, cont. rotation 2
- Channel 13 - Rotating gobo index, rotating gobo rotation 2
- Channel 14 - Prism/gobos macros
- Channel 15 - Rotating prism index, rotating prism rotation
- Channel 16 - Focus
- Channel 17 - Stepless zoom
- Channel 18 - Shutter strobe
- Channel 19 - Dimmer (intensity)
- Channel 20 - Iris
- Channel 21 - Animation wheel, rotating animation wheel
- Channel 22 - Speed of CMY
- Channel 23 - Color macros-CMY and color wheel
- Channel 24 - Speed pan/tilt movement
- Channel 25 - Lamp on/off, reset, internal program

Product Order Code	Description
Design Spot 1400E	1400W CMY moving head
Accessories Order Code	Description
DS1400	Single road case for Design Spot 1400E