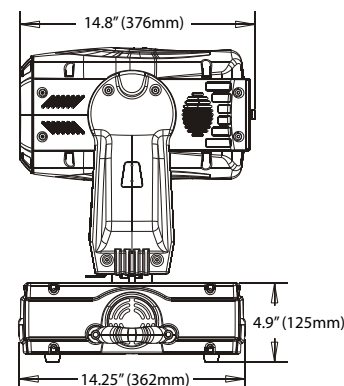
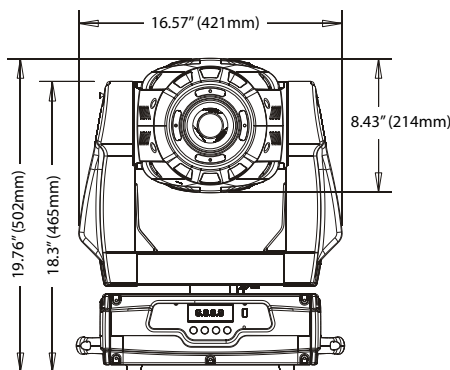


Design Spot 250 PRO / WH



Design Spot 250 Pro Dimensions

The Design Spot 250 Pro by Elation Professional is an intelligent moving head hybrid (spot and wash in one) featuring new glass reflector for improved output and improved lens coating for increased output and image quality as well as an improved LCD Display menu control. The unit is equipped with 8 replaceable dichroic filters (8 colors including CTO, CTB, UV + white), 2 gobo wheels, 14 gobos total, 7 fixed and 7 rotating / indexing. Additional features include a variable iris, 3 facet rotating prism, frost and mechanical dimmer/shutter. The Design Spot 250 Pro uses a Philips MSD 250/2 lamp providing up to 3,000 hours estimated lamp life. Control data input is via 3 pin or 5 pin DMX data first in and out cables. The unit comes fitted standard with a 17° lens kit, optional 14° and 20° lens kits are also included. This unit is rated IP 20 and is designed for indoor use only. Rigging for this unit includes 2 x 1/4 turn omega clamps and has a pan/tilt locking system for easy transport and a 3-pin DMX data cable and safety.

FEATURES

- 250W intelligent moving head hybrid
- 8 Replaceable Dichroic Filters, 7 color, UV + White
- 2 gobo wheels, 14 total gobos, 11 metal, 3 glass
- Variable frost control, hard edge to soft edge
- 3-Facet rotating/indexing prism
- Macro-function for rotating gobos/rotating prism combinations
- New glass reflector for improved output
- Improved lens coating for increased output and image quality
- High output luminous-parabolic dichroic reflector
- Beam Angle 17°
- Replaceable Beam 14°, 20° angles (included)
- All lenses are anti-reflection coated
- Pre-set variable/random strobe and dimming pulse effect
- Motor driven focus from near to far
- Automatic Pan / Tilt position correction
- Maximum PAN-movement 630° in 2.0 secs (default) or 540° (user selectable) / 16 bit
- Maximum TILT-movement 265° in 1.5 secs / 16 bit
- Sound active mode, vector mode with blackout
- Built in DMX recorder w/ 10 shows
- Record from DMX or onboard menu control of each function
- DMX control via 16 channels
- 4 Digit L.E.D. Display
- On board menu settings



TECHNICAL SPECIFICATIONS

- **DMX Channels:** 16 DMX Channels, RDMX - Remote DMX Addressing
- **Control:** USITT DMX-512 (16-bit resolution), 3-pin & 5-pin XLR serial input/output
- **Dimmer:** Dual Flag mechanical dimming system
- **Strobe:** Variable speed strobe effect (1-18) Flashes per second
- **Iris:** Beam narrow to wide (5% - 100%), variable speed iris macros, small to large and large to small
- **IP Rating:** IP 20
- **Power supply:** AC 98, 120, 220, 208, 230, 240V 50/60Hz
- **Power consumption:** 400W nominal
- **Fuse:** 8A (250V), Magnetic Ballast
- **Lamp:** Phillips MSD 250/2
- **Lamp Life:** 250W, 8500°K, 3000 HRS
- **Dimensions:** (LxWxH) 16.75"x 16.75"x 19.75" / 425.45mm x 425.45mm x 501.65mm
- **Weight:** 56.5 lbs. / 25.63 kg
- **Rigging:** 2 x 1/4 turn omega clamps
1 x safety cable
1 x 3-pin DMX data cable
Pan/Tilt locking system for easy transport



Design Spot 250 PRO / WH



COLORS / GOBOS

- 8 Replaceable Dichroic Filters, 7 color, UV + White
- Continuous, variable speed, color scrolling in both directions (rainbow effect)
- More color combinations possible by overlaying the multi-color dichroic gobo and the colors on the color wheel
- 2 gobo wheels, 14 total gobos, 11 metal, 3 glass
- 7 interchangeable, indexable, rotating gobos plus open
- 7 interchangeable, static gobos plus open
- Metal Gobo Size: 26.9mm outside diameter, 23mm image diameter
- Glass Gobo Size: 26.7mm outside diameter, 23mm image diameter
- Gobo Overlay (Gobo Morphing)

COLORS:

8 dichroic filters, 7 color, UV + white



GOBO WHEEL 1

Rotating Gobo Wheel



GOBO WHEEL 2

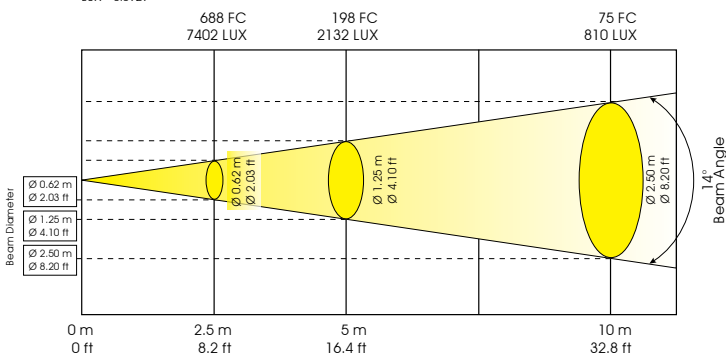
Convenient Slot-Lock gobo replacement system



PHOTOMETRICS

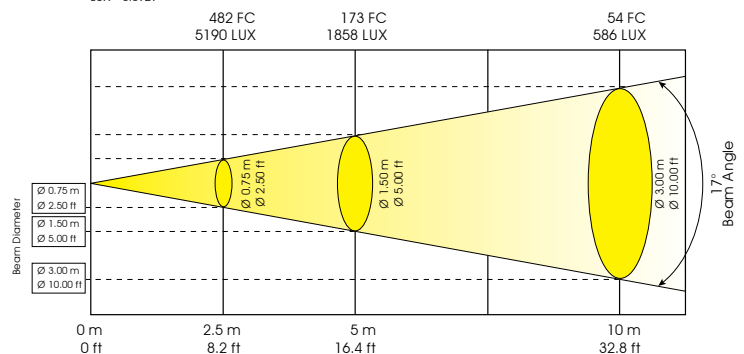
Design Spot 250 Pro Photometric Beam Angle Data Standard Beam Angle 14°

LUX x 0.0929 = FC



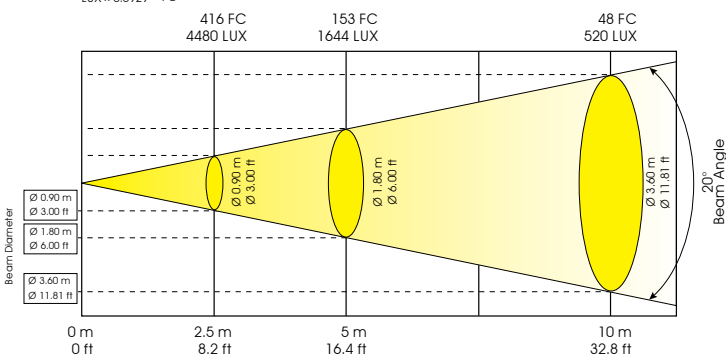
Optional Beam Angle 17°

LUX x 0.0929 = FC



Optional Beam Angle 20°

LUX x 0.0929 = FC



Replaceable 20° beam angle (Included)

DMX TRAITS

- Channel 1 - PAN movement 8bit
- Channel 2 - Pan fine 16bit
- Channel 3 - TILT movement 8bit
- Channel 4 - Tilt fine 16bit
- Channel 5 - Color wheel
- Channel 6 - Rotating gobos, cont. rotation
- Channel 7 - Rotating gobo index, rotating gobo rotation
- Channel 8 - Fixed gobos
- Channel 9 - 3 facet rotating prism, prism / gobo macros
- Channel 10 - Focus
- Channel 11 - Shutter, strobe
- Channel 12 - Dimmer (intensity)
- Channel 13 - Iris
- Channel 14 - Frost
- Channel 15 - Speed pan/tilt movement
- Channel 16 - Lamp on/off, reset, internal programs

Product Order Code	Description
Design Spot 250 Pro	250W Intelligent moving head hybrid
Accessories Order Code	Description
DRC-250PRO	Road case for 2 x Design Spot 250 Pro